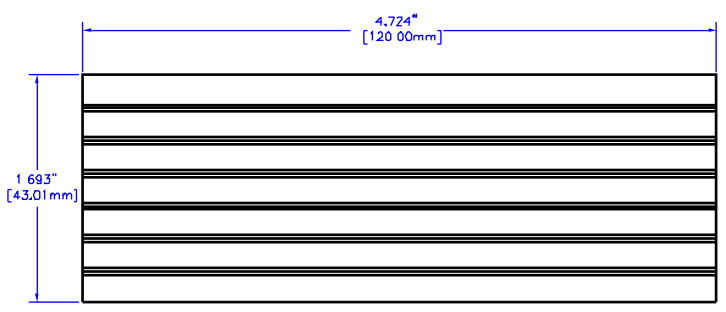


Base Plate is removable.

EXTRUSION

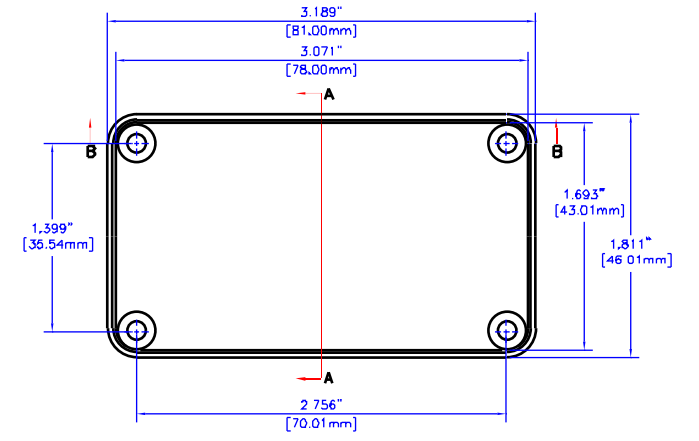


NOTES

Constructed from extruded Al with a minimum thickness of 0.06"(1.5mm)
 Available in clear or Black anodized finish
 Version 2 includes two Black plastic one piece bezel/panels.
 Hardware and self-adhesive rubber feet included.

SECTION A-A
SCALE 2:1

SECTION B-B
SCALE 2:1



END PANEL

For the best fit print on legal size paper.

THIS DRAWING IS PROPRIETARY INFORMATION OF HAMMOND MFG.CO.LTD, NOT TO BE USED WITHOUT EXPRESSED WRITTEN PERMISSION OF HAMMOND MFG.CO.LTD.

Rev	ECN	Description	Date	By
△	N/A	RELEASE	01 15 02	MM

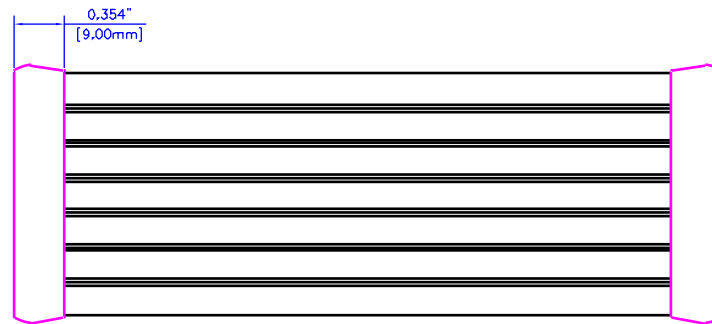
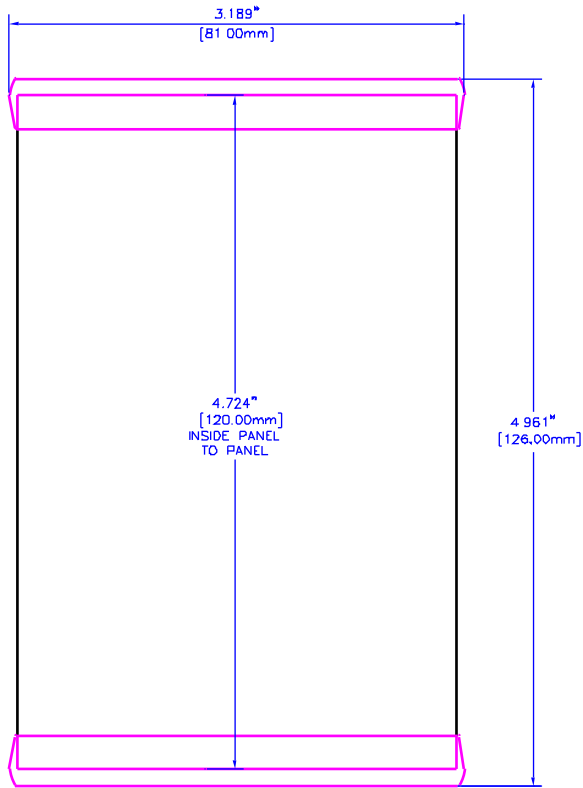
Unless otherwise specified dimensions are in inches
 Tolerances are:
 .X ± .1
 .XX ± .02
 .XXX ± .010
 .XXXX ± .0005
 Notes ± .0050
 Angles ± .5°

Dwn	M. MERCER
Date	01 15 02
Chk	---
Mat'l	Extruded Aluminum
Sheet	1 of 1

HAMMOND MANUFACTURING CO. LTD,
 Electronics Group, Waterloo, Ont. - Cheektowaga, NY

**HAMMOND 1455 SERIES
 EXTRUDED ALUMINUM**

Part#: 1455K1202 Dwg: 1455K1202A



NOTES

Constructed from extruded Al with a minimum thickness of 0.06"(1.5mm)
 Available in clear or Black anodized finish
 Version 2 includes two Black plastic one piece bezel/panels.
 Hardware and self-adhesive rubber feet included.

ASSEMBLED

For the best fit print on legal size paper.

THIS DRAWING IS PROPRIETARY INFORMATION OF HAMMOND MFG.CO.LTD., NOT TO BE USED WITHOUT EXPRESSED WRITTEN PERMISSION OF HAMMOND MFG.CO.LTD.

Rev	ECN	Description	Date	By
△	N/A	RELEASE	01 15 02	NJM

Unless otherwise spec'd dimensions are in inches
 Tolerances are:
 .X ± .1
 .XX ± .02
 .XXX ± .010
 .XXXX ± .0050
 Holes ± .005
 Angles ± .5°

Own	M, MERCER
Date	01 15 02
Chk	---
Mat'l	Extruded Aluminum
Sheet	1 of 1

HAMMOND MANUFACTURING CO. LTD.
 Electronics Group, Waterloo, Ont. - Cheektowaga, NY

**HAMMOND 1455 SERIES
 EXTRUDED ALUMINUM**

Part#: 1455K1202 Dwg: 1455K1202A