

521781-1 ✓ ACTIVE

[Positive Lock](#) | [Positive Lock 250](#)

TE Internal #: 521781-1

Positive Lock 250, Crimp Terminal Housings, Receptacle,
Receptacle, 4 Positions, Straight, UL 94V-0, Natural, Nylon, Mating
Retention

[View on TE.com >](#)



Terminals & Splices > Terminal Housings, Insulation Sleeves & Blocks > Crimp Terminal Housings



Terminal & Splice Type: **Receptacle**

Housing Type: **Receptacle**

Number of Positions: **4**

Terminal Orientation: **Straight**

UL Flammability Rating: **UL 94V-0**

Features

Product Type Features

Product Type	Terminal Housing
Terminates To	Wire & Cable
Connector System	Wire-to-Board, Wire-to-Wire
Housing Type	Receptacle
Sealable	No
Insulated	No

Configuration Features

Number of Positions	4
---------------------	---

Body Features

Housing Color	Natural
Mating Retention	With
Mating Alignment	With

Contact Features

Terminal & Splice Type	Receptacle
------------------------	------------



Terminal Orientation	Straight
----------------------	----------

Mechanical Attachment

Mating Alignment Type	Polarization
Mounting Style	Free Hanging

Housing Features

Housing Material	Nylon
------------------	-------

Dimensions

Centerline	6.807 mm[.268 in]
------------	-------------------

Usage Conditions

Operating Temperature Range	-40 – 105 °C[-40 – 221 °F]
-----------------------------	----------------------------

Industry Standards

UL Flammability Rating	UL 94V-0
------------------------	----------

Packaging Features

Packaging Quantity	1
Packaging Method	Carton

Product Compliance

[For compliance documentation, visit the product page on TE.com>](#)

EU RoHS Directive 2011/65/EU	Compliant
EU ELV Directive 2000/53/EC	Not Yet Reviewed
China RoHS 2 Directive MIIT Order No 32, 2016	No Restricted Materials Above Threshold
EU REACH Regulation (EC) No. 1907/2006	Current ECHA Candidate List: JAN 2020 (205) Candidate List Declared Against: JAN 2020 (205) Does not contain REACH SVHC
EU REACH Regulation (EC) No. 1907/2006	Current ECHA Candidate List: JAN 2020 (205) Candidate List Declared Against: JAN 2020 (205)
Halogen Content	BFR/CFR/PVC Free, but Br/Cl >900 ppm in other sources.
Solder Process Capability	Not applicable for solder process capability

Product Compliance Disclaimer



This information is provided based on reasonable inquiry of our suppliers and represents our current actual knowledge based on the information they provided. This information is subject to change. The part numbers that TE has identified as EU RoHS compliant have a maximum concentration of 0.1% by weight in homogenous materials for lead, hexavalent chromium, mercury, PBB, PBDE, DBP, BBP, DEHP, DIBP, and 0.01% for cadmium, or qualify for an exemption to these limits as defined in the Annexes of Directive 2011/65/EU (RoHS2). Finished electrical and electronic equipment products will be CE marked as required by Directive 2011/65/EU. Components may not be CE marked. Additionally, the part numbers that TE has identified as EU ELV compliant have a maximum concentration of 0.1% by weight in homogenous materials for lead, hexavalent chromium, and mercury, and 0.01% for cadmium, or qualify for an exemption to these limits as defined in the Annexes of Directive 2000/53/EC (ELV). Regarding the REACH Regulations, TE's information on SVHC in articles for this part number is still based on the European Chemical Agency (ECHA) 'Guidance on requirements for substances in articles' (Version: 2, April 2011), applying the 0.1% weight on weight concentration threshold at the finished product level. TE is aware of the European Court of Justice ruling of September 10th, 2015 also known as O5A (Once An Article Always An Article) stating that, in case of 'complex object', the threshold for a SVHC must be applied to both the product as a whole and simultaneously to each of the articles forming part of its composition. TE has evaluated this ruling based on the new ECHA "Guidance on requirements for substances in articles" (June 2017, version 4.0) and will be updating its statements accordingly.

Compatible Parts



TE Model / Part # 63933-1
PL .250 TERMINAL REC 22-18 AWG BR



TE Model / Part # 63854-1
PL 250 TERMINAL RECEPTACLE 18-14 AWG BR



TE Model / Part # 63933-2
PL .250 TERMINAL REC 22-18 AWG TPBR



TE Model / Part # 63854-2
PL 250 RECEPTACLE 18-14 AWG TPBR




TE Model / Part # 1217092-1
PL 250 TERMINAL RECEPTACLE 16-12 AWG BR



TE Model / Part # 1217092-2
PL 250 TERMINAL REC 16-12 AWG TPBR


Also in the Series | Positive Lock 250



Crimp Terminal Housings(184)

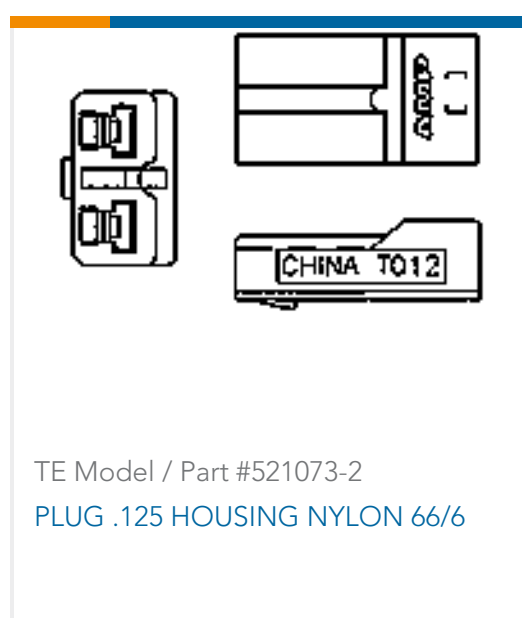
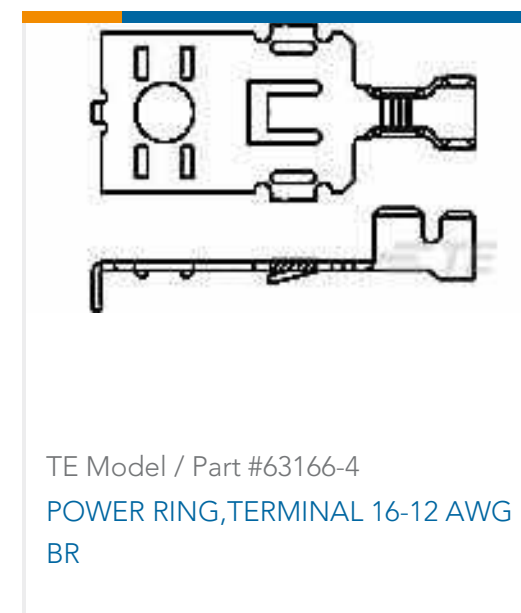
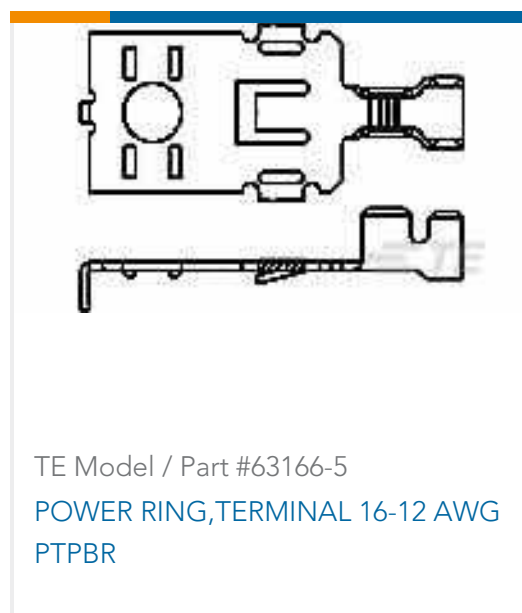
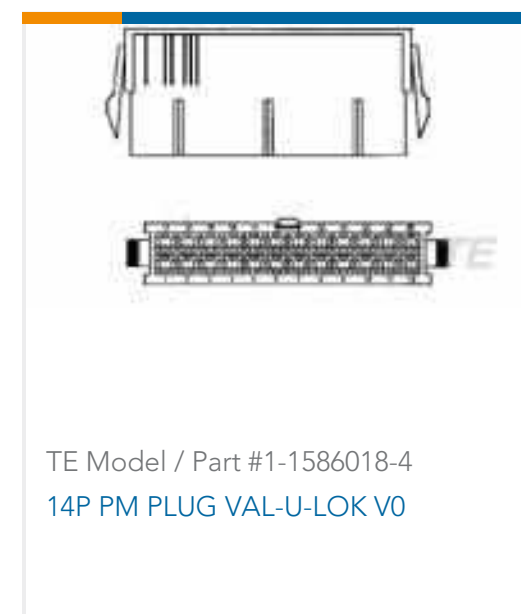


Insulation Boots & Sleeves(6)



Quick Disconnects(187)

Customers Also Bought



Documents

Product Drawings

[PL MKIII 250 REC HSG 4P NYLON NAT](#)

English

CAD Files

[3D PDF](#)

3D

Customer View Model

[ENG_CVM_CVM_521781-1_C.2d_dxf.zip](#)

English

Customer View Model

[ENG_CVM_CVM_521781-1_C.3d_igs.zip](#)

English

Customer View Model

[ENG_CVM_CVM_521781-1_C.3d_stp.zip](#)

English

By downloading the CAD file I accept and agree to the [Terms and Conditions](#) of use.

Datasheets & Catalog Pages



Positive Lock Receptacles

English

Positive Lock HVAC Motor Connectors

English

Product Specifications

Application Specification

English

Product Environmental Compliance

TE Material Declaration

English

Agency Approvals

UL Report

English