

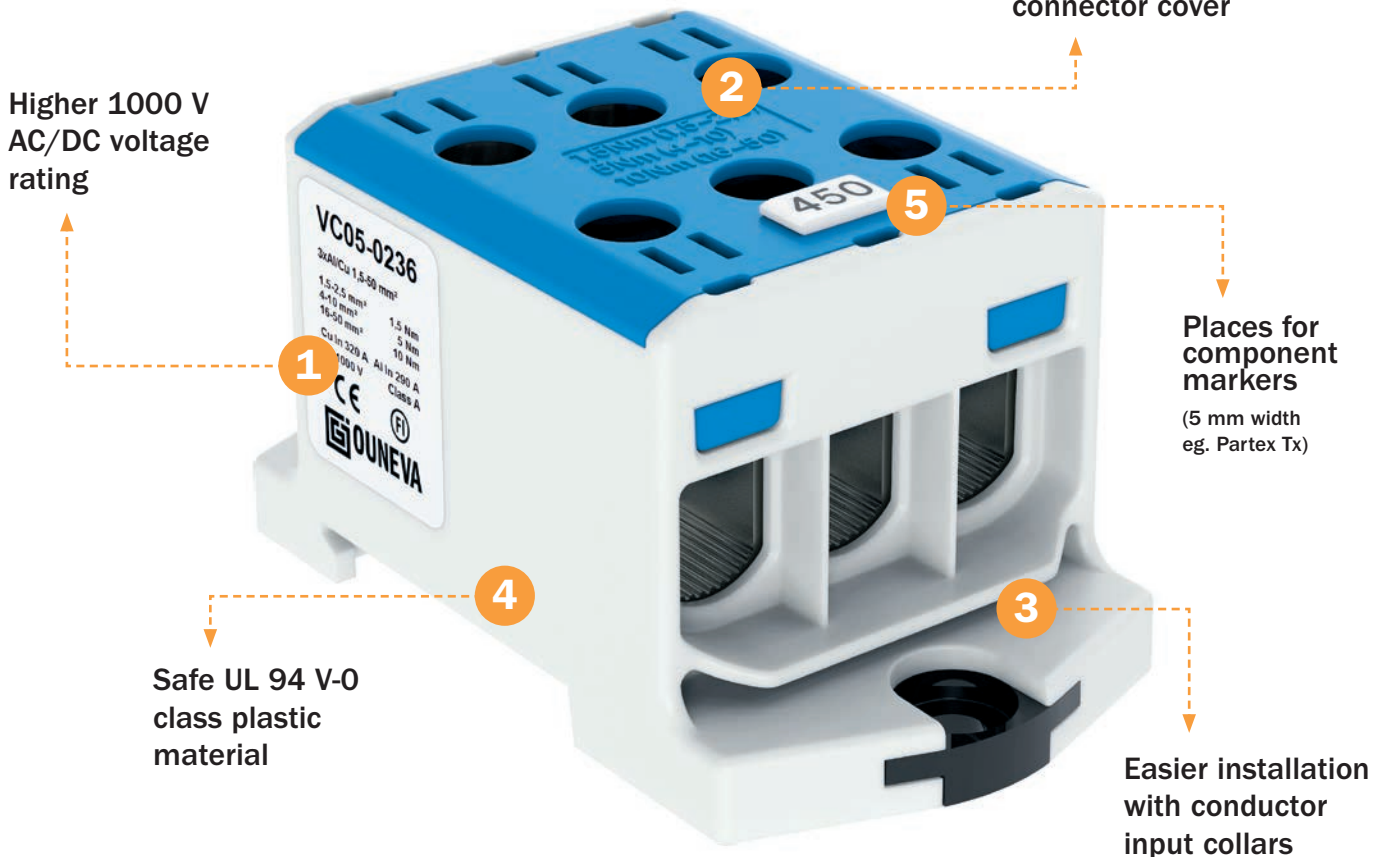
OTL 1000 V

General/use: New OTL 1000 V connector series offers the best quality, safety and installation features on the market. OTL-connectors are designed to be used when connecting and branching aluminium and copper cables.

Materials: Bodies of the connectors are made of aluminium and plated with tin. Insulating covers are made of UL 94 V-0 class polyamide.

Certification and applied regulations:
EN 60947-7-1:2009, EN 61238-1:2003

Five reasons to choose OTL 1000 V



Material classification according to UL 94 standard (vertical burning test)

Criteria Conditions	94V-0	94V-1	94V-2
Total flaming combustion for each specimen	≤ 10 sec	≤ 30 sec	≤ 30 sec
Total flaming combustion for all 5 specimens of any set	≤ 50 sec	≤ 250 sec	≤ 250 sec
Flaming and glowing combustion for each specimen after second burner flame application	≤ 30 sec	≤ 60 sec	≤ 60 sec
Cotton ignited by flaming drips from any specimen	No	No	Yes



Certification and product safety

When choosing electrical connector, always make sure to select reliable and safe, certified connector. The requirements for connectors used with copper conductors inside switchgears and similar appliances are specified in standard EN 60947-7-1:2009. All connectors used inside switchgears or similar appliances must fulfil these requirements.

The requirements for connectors designated to be used with aluminium power cables are specified in standard EN 61238-1:2003. Connectors that have been tested and certified in accordance with standard EN 61238-1:2003 are divided into two classes.

- Class A (short circuit tested) - usage examples: feed-in connections, switchgears/appliances, universal
- Class B (not short circuit tested) - usage limited only to special circuits protected by fast-acting fuses

Ouneva OTL-connectors are tested and certified class A connectors, that are compatible with copper and aluminium conductors.

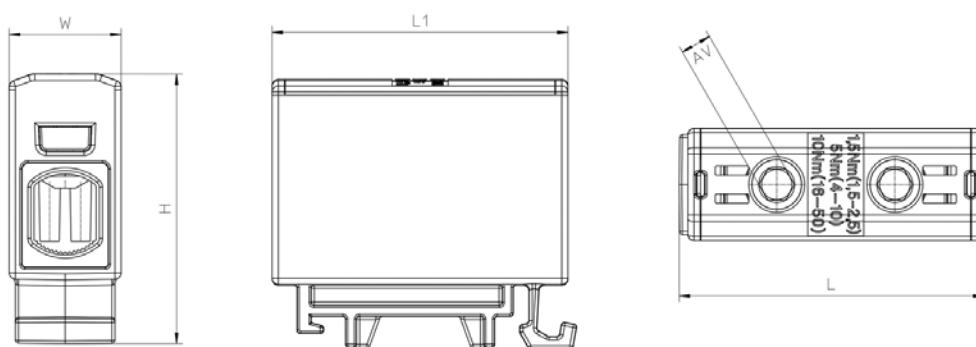
For choosing safe and reliable connector, always make sure that the terminal is equipped with CE and Class A markings with the symbol of certifying institute, for example FI -mark.

Insulated universal connector - OTL-series



OTL-connectors 1xAl/Cu 1,5-50 mm²

DIN-rail mounting



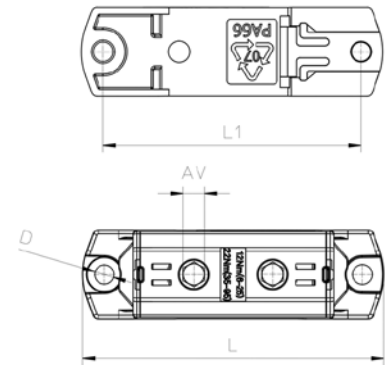
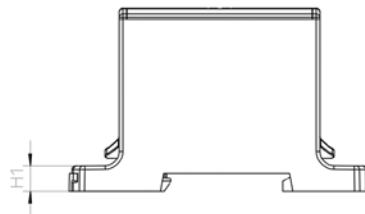
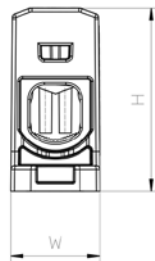
STK code	Product code	Color	Conductor (mm ²)	Un (V)	In (A)	Tightening torque	L (mm)	L1 (mm)	H (mm)	W (mm)	AV (mm)	Weight (g)	Package (pcs)
19 141 00	VC05-0010	Grey	1xAl/Cu 1,5-16	1000	82 (Cu)/ 75 (Al)	1,5 Nm (1,5 mm ²), 3,5 Nm (2,5-6 mm ²), 7 Nm (10-16 mm ²)	45	42	39,5	13,5	4	17	30
19 141 01	VC05-0001	Blue											
19 141 02	VC05-0045	Yellow / Green											
19 120 10	VC05-0140	Red											
19 120 14	VC05-0141	Black	1xAl/Cu 2,5-35	1000	135 (Cu)/ 120 (Al)	3 Nm (2,5-16 mm ²), 6 Nm (25-35 mm ²)	45	45	40	16	4	27	30
19 120 59	VC05-0191	Grey											
19 120 60	VC05-0192	Blue											
19 120 61	VC05-0193	Yellow / Green											
19 141 03	VC05-0013	Grey	1xAl/Cu 1,5-50	1000	160 (Cu)/ 145 (Al)	1,5 Nm (1,5-2,5 mm ²), 5 Nm (4-10 mm ²), 10 Nm (16-50 mm ²)	50	48	43	18	5	31	50
19 141 04	VC05-0046	Blue											30
19 141 05	VC05-0047	Yellow / Green											30
19 120 24	VC05-0142	Red											30
19 120 25	VC05-0143	Black											30

Insulated universal connector - OTL-series



OTL-connectors 1xAl/Cu 6-240 mm²

DIN-rail / screw mounting



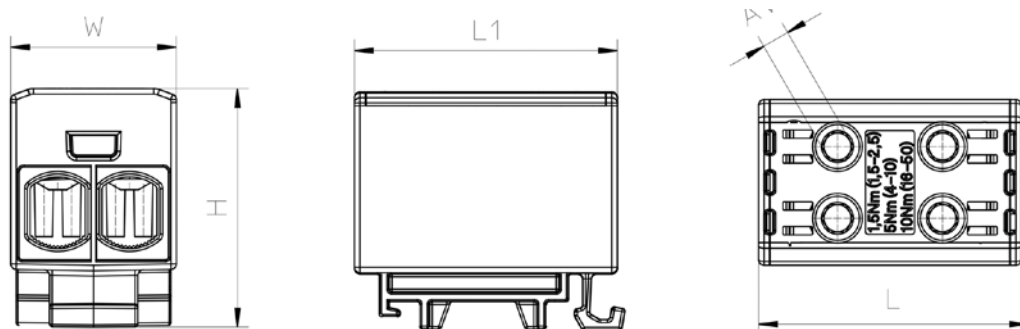
STK code	Product code	Color	Conductor (mm ²)	Un (V)	In (A)	Tightening torque	L (mm)	L1 (mm)	H (mm)	H1 (mm)	W (mm)	AV (mm)	D (mm)	Weight (g)	Package (pcs)
19 141 12	VC05-0019	Grey	1xAl/Cu 6-95	1000	245 (Cu)/ 220 (Al)	12 Nm (6-25 mm ²), 22 Nm (35-95 mm ²)	84	72	51	5	25	6	5,5	68	20
19 141 13	VC05-0050	Blue													10
19 141 14	VC05-0051	Yellow / Green													10
19 120 26	VC05-0144	Red													10
19 120 27	VC05-0145	Black													10
19 141 18	VC05-0022	Grey	1xAl/Cu 16-120	1000	280 (Cu)/ 250 (Al)	12 Nm (16-35 mm ²), 25 Nm (50-120 mm ²)	84	72	53	5	30	6	5,5	90	30
19 141 19	VC05-0023	Blue													15
19 141 20	VC05-0024	Yellow / Green													15
19 141 24	VC05-0028	Grey	1xAl/Cu 25-150	1000	320 (Cu)/ 290 (Al)	14 Nm (25-50 mm ²), 30 Nm (70-150 mm ²)	84	72	54	5	31	6	5,5	103	20
19 141 25	VC05-0029	Blue													10
19 141 26	VC05-0030	Yellow / Green													10
19 141 30	VC05-0034	Grey	1xAl/Cu 35-240	1000	425 (Cu)/ 380 (Al)	26 Nm (35-120 mm ²), 40 Nm (150-240 mm ²)	106	94	65	5	37	8	5,5	194	10
19 141 31	VC05-0035	Blue													3
19 141 32	VC05-0036	Yellow / Green													3

Insulated universal connector - OTL-series



OTL-connectors 2xAl/Cu 1,5-50 mm²

DIN-rail mounting,
branching connector



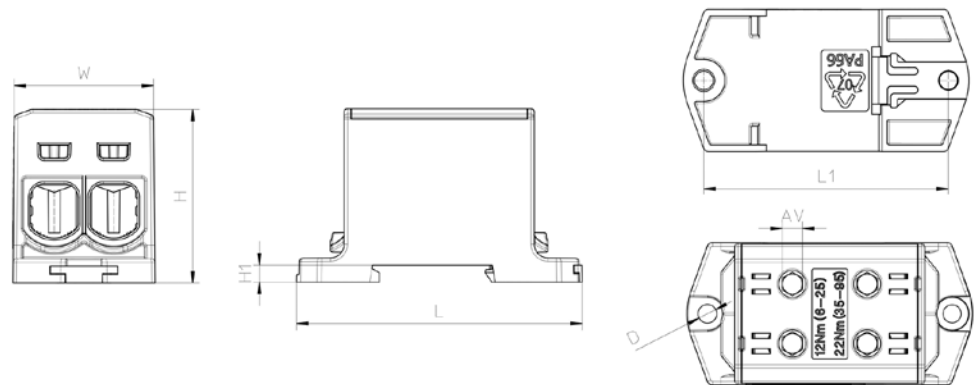
STK code	Product code	Color	Conductor (mm ²)	Un (V)	In (A)	Tightening torque	L (mm)	L1 (mm)	H (mm)	W (mm)	AV (mm)	Weight (g)	Package (pcs)
19 120 73	VC05-0153	Grey	2xAl/Cu 2,5-35	1000	135 (Cu)/ 120 (Al)	3 Nm (2,5-16 mm ²), 6 Nm (25-35 mm ²)	46	45	40	27	4	44	18
19 120 74	VC05-0154	Blue											
19 120 75	VC05-0155	Yellow / Green											
19 141 06	VC05-0016	Grey	2xAl/Cu 1,5-50	1000	320 (Cu)/ 290 (Al)	1,5 Nm (1,5-2,5 mm ²), 5 Nm (4-10 mm ²), 10 Nm (16-50 mm ²)	49	48	43	30	5	51	15
19 141 07	VC05-0048	Blue											
19 141 08	VC05-0049	Yellow / Green											
19 120 29	VC05-0146	Red											
19 120 30	VC05-0147	Black											

Insulated universal connector - OTL-series



OTL-connectors 2xAl/Cu 6-240 mm²

DIN-rail / screw mounting,
branching connector



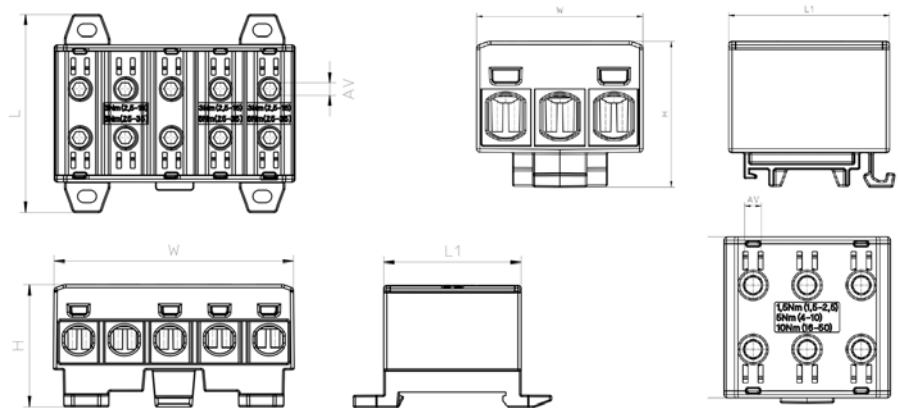
STK code	Product code	Color	Conductor (mm ²)	Un (V)	In (A)	Tightening torque	L (mm)	L1 (mm)	H (mm)	H1 (mm)	W (mm)	AV (mm)	D (mm)	Weight (g)	Package (pcs)
19 141 15	VC05-0042	Grey	2xAl/Cu 6-95	1000	245 (Cu)/ 220 (Al)	12 Nm (6-25 mm ²), 22 Nm (35-95mm ²)	84	72	51	5	42	6	5,5	121	30
19 141 16	VC05-0043	Blue													15
19 141 17	VC05-0044	Yellow / Green													15
19 120 38	VC05-0148	Red													15
19 120 39	VC05-0149	Black													15
19 141 21	VC05-0025	Grey	2xAl/Cu 16-120	1000	280 (Cu)/ 250 (Al)	12 Nm (16-35 mm ²), 25 Nm (50-120 mm ²)	84	72	54	5	51	6	5,5	154	10
19 141 22	VC05-0026	Blue													5
19 141 23	VC05-0027	Yellow / Green													5
19 141 27	VC05-0031	Grey	2xAl/Cu 25-150	1000	320 (Cu)/ 290 (Al)	14 Nm (25-50 mm ²), 30 Nm (70-150 mm ²)	84	72	54	5	51	6	5,5	165	10
19 141 28	VC05-0032	Blue													5
19 141 29	VC05-0033	Yellow / Green													5
19 141 33	VC05-0037	Grey	2xAl/Cu 35-240	1000	425 (Cu)/ 380 (Al)	26 Nm (35-120 mm ²), 40 Nm (150-240 mm ²)	106	94	65	5	60	8	5,5	335	6
19 141 34	VC05-0038	Blue													3
19 141 35	VC05-0039	Yellow / Green													3

Insulated universal connector - OTL-series



Multiple pole OTL-connectors

DIN-rail mounting, 3- and 5-pole universal connector (screw mounting available for VC05-0012).



STK code	Product code	Color	Conductor (mm ²)	Un (V)	In (A)	Tightening torque	L (mm)	L1 (mm)	H (mm)	W (mm)	AV (mm)	Weight (g)	Package (pcs)
19 120 97	VC05-0011	Grey (L1, L2, L3)	3xAl/Cu 2,5-35	1000	3x135 (Cu) / 3x120 (Al)	3 Nm (2,5-16 mm ²), 6 Nm (25-35 mm ²)	46	45	40	46	4	70	20
19 120 98	VC05-0012	Grey, Blue, Yellow/Green (L1, L2, L3, N, PE)	5xAl/Cu 2,5-35	1000	5x135 (Cu) / 5x120 (Al)	3 Nm (2,5-16 mm ²), 6 Nm (25-35 mm ²)	65	45	40	79	4	120	10
19 141 09	VC05-0054	Grey (L1, L2, L3)	3xAl/Cu 1,5-50	1000	3x160 (Cu) / 3x145 (Al)	1,5 Nm (1,5-2,5 mm ²), 5 Nm (4-10 mm ²), 10 Nm (16-50 mm ²)	49	48	43	49	5	81	20

OTL-connector kit

Connector kit includes connectors for all three phases, neutral (N) and for protective earth (PE).

Connectors are compatible with aluminium and copper cables with wire range of 1,5-50 mm². Connectors are DIN-rail mounted.



Contents of the connector kit:

Product code	Qty (pcs)
VC05-0054	1
VC05-0046	1
VC05-0047	1

STK code	Product code	Package (pcs)
19 120 01	VC05-0139	10