

SPECIFICATION MODEL CX-600N

IMPEDANCE/50 Ohms.

VOLTAGE

ACTUATION DATA :

VOLTAGE :

Pull in 10Vdc - 14Vdc (12.0Vdc Nominal)

Drop out 3.0Vdc Min.

Current 136mA @12Vdc 20°C

Coil resistance ... 88 Ohms 10% @ 20°C

SWITCHING TIME

SWITCHING TIME :

Pull in 20ms max.

Drop out 15ms max.

LIFE EXPECTANCY ... 1,000,000. - Operation min.

MECHANICAL

MECAHANICAL :

Contact arrangement SPDT

Operational temperature - 25°C to + 50°C (Max Temperature Rise:20c)

Weight Approx 230gs.

Mounting Two screws

Cable connections 3 N Type female connectors.

ELECTRICAL CHARACTERISTICS

ELECTRICAL CHARACTERISTICS :

Frequency MHz	VSWR Max	Isolation -dB(min)	Ins.Loss -dB(max)	IN PUT
				RF Power KW (PEP)
50	1.03	60	0.07	1.0
150	1.1	48	0.1	1.0
500	1.15	37	0.15	0.8
1000	1.2	28	0.2	0.5
1500	1.2	26	0.2	0.35
2000	1.25	23	0.23	0.1

COIL CHARACTERISTICS

COIL CHARACTERISTICS :

Nominal Voltage
12Vdc

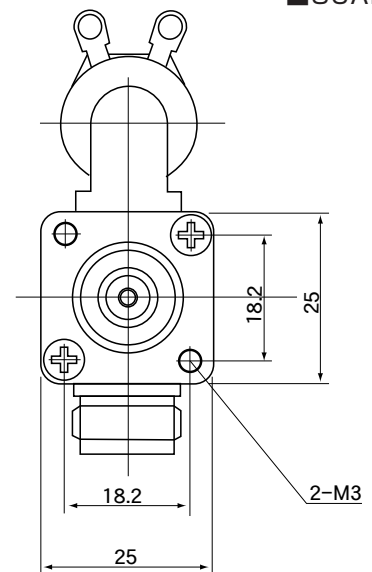
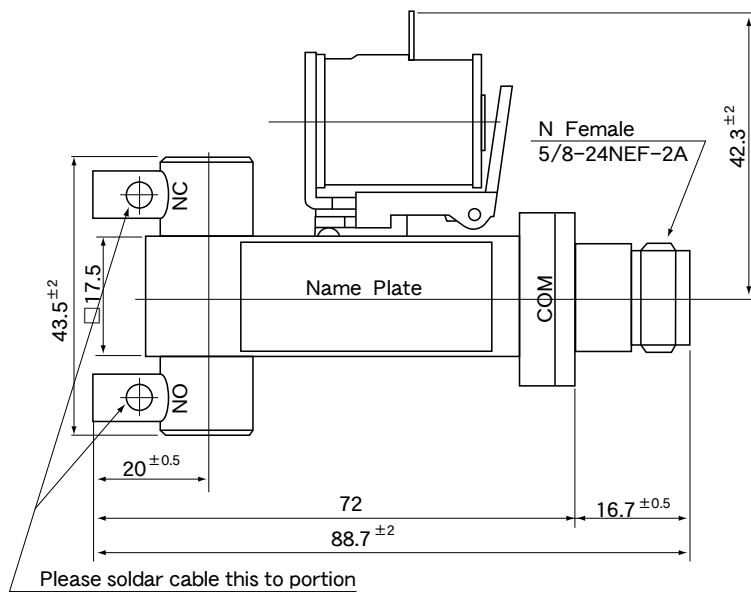
Voltage Range
10Vdc - 14Vdc

Resistance Ohms
88 ±10% 20°C

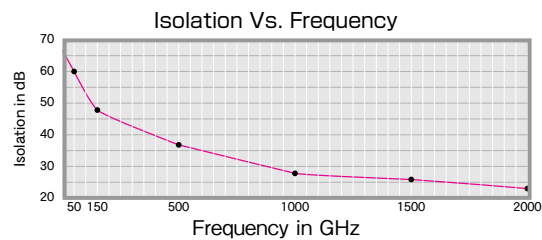
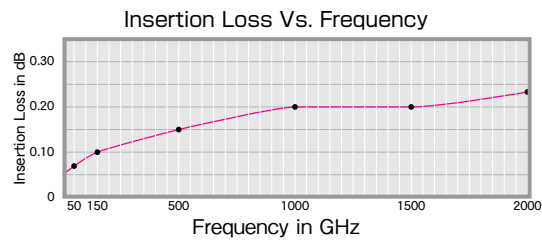
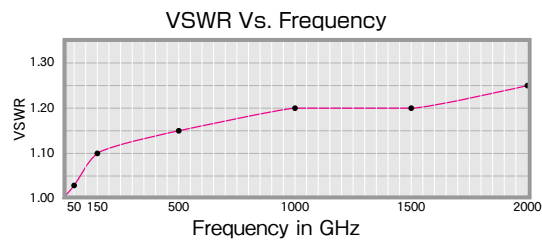
Note : Other voltages are also available at option.

DIMENSIONS

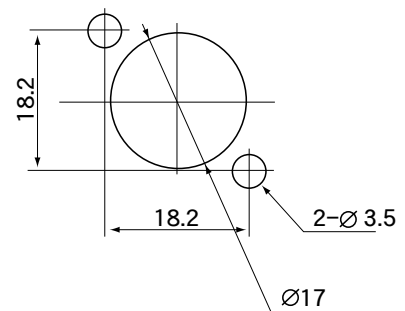
■ SCALE m/n



Typical Operating Curves



(Mounting Holes)



Schematic

