



5mm Round Bi-colour LED Flashing Yellow & Blue 1.8Hz 1/2 Duty Cycle

Order codes: **55-9071**

MPN: OSYBMS5A31A

Features:

- High luminous LEDs
- 5mm round standard directivity
- Superior weather-resistance
- Flashing type
- Water clear type

Applications

- Toys
- Games
- Audio
- Other lighting

Absolute maximum rating (Ta=25°C)

Item	Symbol	Value	Unit
Power supply	Voltage	5	V
Operating temperature	Topr	-30 to +85	°C
Storage temperature	Tstg	-40 to +100	°C
Lead soldering temperature	Tsol	260°C/5sec	-

Electrical - Optical characteristics (Ta=25°C)

Item	Symbol	Condition	Min.	Typ.	Max.	Unit
DC forward voltage	V_{dd}	$I_F = 20\text{mA}$	3.0	3.3	5.0	V
Oscillator frequency*	Fled	$I_F = 20\text{mA}$	-	1.8	-	Hz
Duty cycle	Duty	$I_F = 20\text{mA}$	-	1/2	-	-
Dominant wavelength†	λ_D (Yellow)	$I_F = 20\text{mA}$	585	590	595	nm
	λ_D (Blue)	$I_F = 20\text{mA}$	465	470	745	nm
Luminous intensity‡	I_V (Yellow)	$I_F = 20\text{mA}$	5800	7000	-	mcd
	I_V (Blue)	$I_F = 20\text{mA}$	2000	2500	-	mcd
50% Power angle	$2\theta_{1/2}$	$I_F = 20\text{mA}$	-	30	-	deg

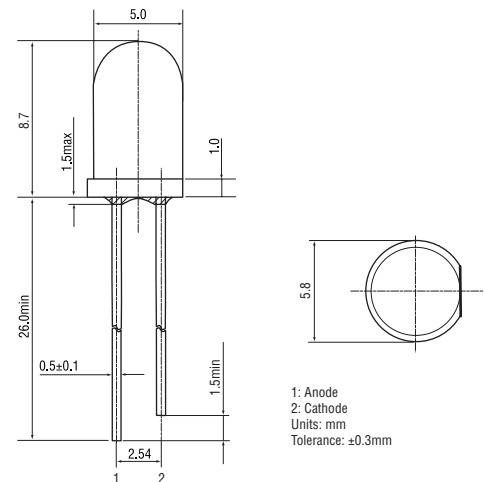
* Tolerance of dominant wavelength is $\pm 1\text{nm}$

† Tolerance of luminous intensity is $\pm 15\%$

‡ Tolerance of frequency is $\pm 20\%$



Outline dimensions:



Directivity:

