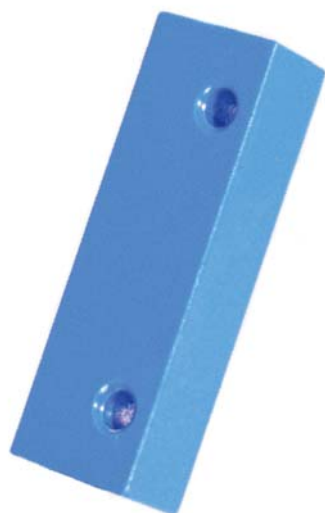
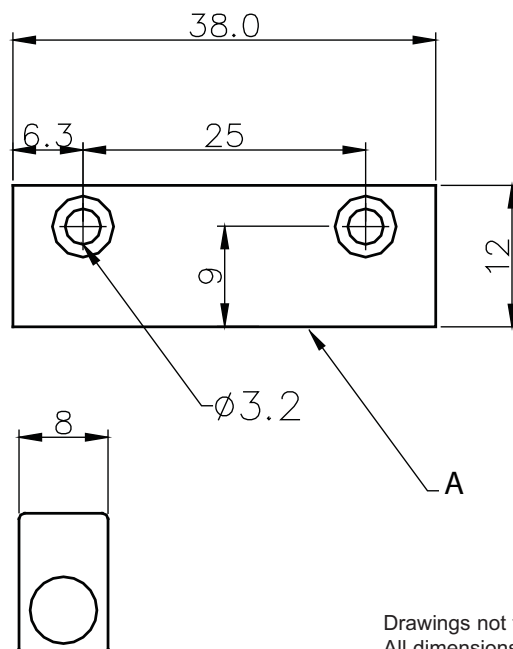


Aluminium Housed Magnet
Part Number : 78-4026 (PRM-SA-001)
Product Data Sheet

PICTURE



DIMENSIONS



Drawings not to scale
 All dimensions in mm nominal

✓ RoHS Compliant

SPECIFICATION

Strength	Gauss	700 at Point A
Dimensions	Length mm	38
	Width mm	8
	Height mm	12
Hole size	mm	3.2
Operating Temperature	Celsius	-20° to 105°
Case Material		Blue powder coated Aluminium

Applications Include

Options/Features

- Position sensing.
- Linear actuators.
- Security switching.
- Safety guards/devices

- Robust, sealed Internal Magnets.
- Custom Strengths available.
- Other colours available, at request
- Powder coated housing for added corrosion resistance.

Did you know we also sell?



Rev. No.

Revision Note

Date

Signature

1

Datasheet

09-01-14

ML



As part of the company policy of continued product improvement, specifications may change without notice. Our sales office will be pleased to help you with the latest information on this product range and the details of our full design and manufacturing service. All products are supplied to our standard conditions of sale unless otherwise agreed in writing.

Phone : +44 (0)1255 862236

www.comuseurope.co.uk

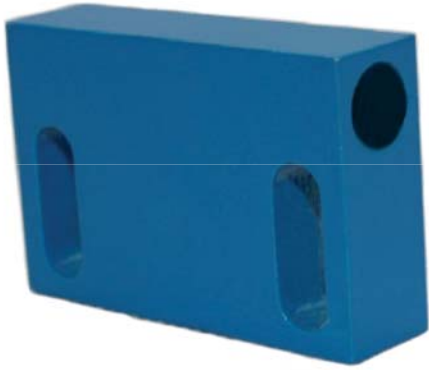
Fax: +44 (0)1255 862014

©2012 Copyright Comus Europe Ltd, Unit 7, Rice Bridge Industrial Estate, Thorpe - Le - Soken, Essex, CO16 0HL, ENGLAND.
 USA: Comus International: +1 973 777 6900, Belgium: Comus Belgium BVBA: +32 (0)12 390400

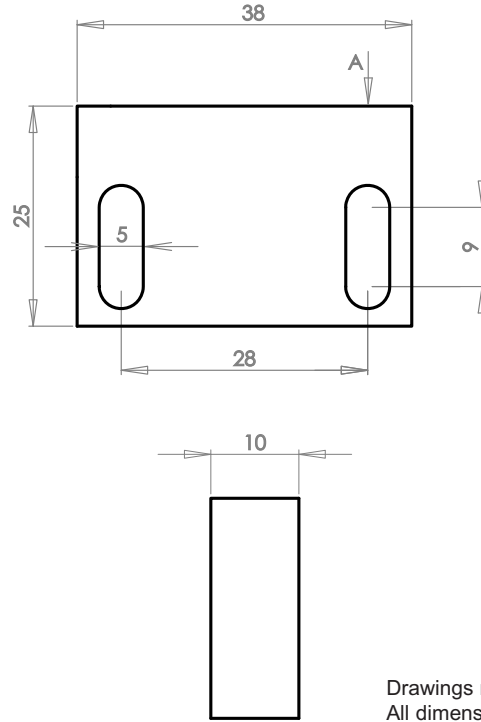


Aluminium Housed Proximity Magnet
Part Number : 78-4027 (PRM-SA-003)
Product Data Sheet

PICTURE



DIMENSIONS



Drawings not to scale
 All dimensions in mm nominal

✓ RoHS Compliant

SPECIFICATION

Size	Length mm	38
	Width mm	10
	Height mm	25
Gauss Strength / Surface	Max	800 (at point A)
Operating Temperature	Celsius	-20° to 85°
Case Material		Powder coated Aluminium
Magnet		Neodymium N35

Applications Include

- Position and Limit sensing.
- Machinery safety guard.
- Automated production line.
- Security alarm system.

Options/Features

- Robust sealed magnet.
- Powder coated to resist corrosion.
- Strong Neodymium magnet.

Did you know we also sell?



Rev. No.

Revision Note

Date

Signature

1

Datasheet

19-07-12

ML



ISO 9001:2008
 Certificate No. FM21080

As part of the company policy of continued product improvement, specifications may change without notice. Our sales office will be pleased to help you with the latest information on this product range and the details of our full design and manufacturing service. All products are supplied to our standard conditions of sale unless otherwise agreed in writing.

Phone : +44 (0)1255 862236

www.comuseurope.co.uk

Fax: +44 (0)1255 862014

©2015 Copyright Comus Europe Ltd, Unit 7, Rice Bridge Industrial Estate, Thorpe - Le - Soken, Essex, CO16 0HL, ENGLAND.
 USA: Comus International:+1 973 777 6900, Belgium: Comus Belgium BVBA: +32 (0)12 390400

Rapid

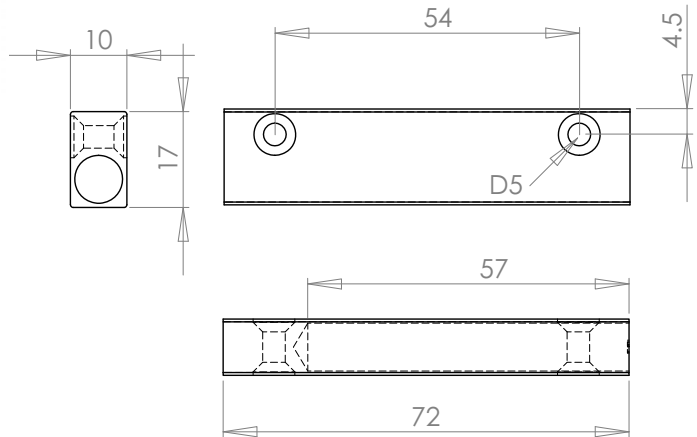
Aluminium Housed Magnet - Approximate Operate Distance 45-50mm

Part Number : 78-4028 (PRM-SA-005)

Product Data Sheet

PICTURE

DIMENSIONS



✓RoHS Compliant

Drawings not to scale
All dimensions in mm nominal

SPECIFICATION

Gauss strength at surface point A	Gauss	950
Material		Aluminium
Operating Temperature	Celsius	85°.
Finish		Sand blasted & Silver Anodised
magnet Grade		Neodymium N35

Applications Include

- Alarm Systems.
- Lorry and Truck doors.
- Access gates.
- Safety cut off switch.

Options

- Various strength options available.
- Powder coated version available.
- Custom finishes, colours, label & logo options available.
- If you do not see what you need, just ask, as there is a strong possibility we can do it !

Did you know we also sell?



Rev. No.

Revision Note

Date

Signature

1

Datasheet

10-11 -14

ML



ISO 9001:2008
Certificate No. FM21080

As part of the company policy of continued product improvement, specifications may change without notice. Our sales office will be pleased to help you with the latest information on this product range and the details of our full design and manufacturing service. All products are supplied to our standard conditions of sale unless otherwise agreed in writing.

Phone : +44 (0)1255 862236

www.comuseurope.co.uk

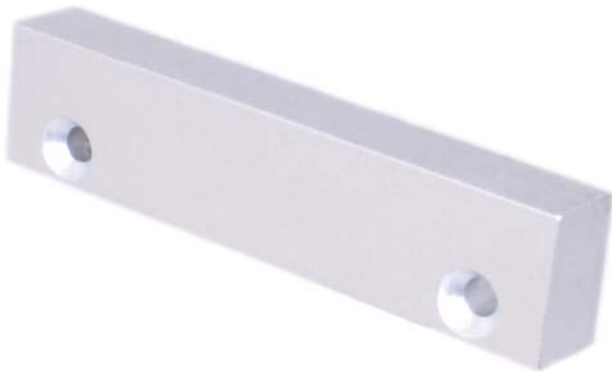
Fax: +44 (0)1255 862014

©2014 Copyright Comus Europe Ltd, Unit 7, Rice Bridge Industrial Estate, Thorpe - Le - Soken, Essex, CO16 0HL, ENGLAND.
USA: Comus International:+1 973 777 6900, Belgium: Comus Belgium BVBA: +32 (0)12 390400

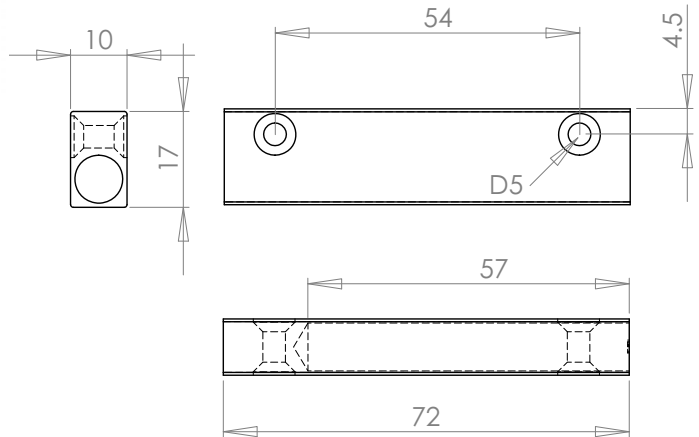
Rapid

Aluminium Housed Magnet - Low Strength
 Part Number : 78-4029 (PRM-SA-007)
 Product Data Sheet

PICTURE



DIMENSIONS



✓RoHS Compliant

Drawings not to scale
 All dimensions in mm nominal

SPECIFICATION

Gauss strength at surface point A	Gauss	800
Material		Aluminium
Operating Temperature	Celsius	85°.
Finish		Sand blasted & Silver Anodised
magnet Grade		Neodymium N35

Applications Include

- Alarm Systems.
- Lorry and Truck doors.
- Access gates.
- Safety cut off switch.

Options

- Various strength options available.
- Powder coated version available.
- Custom finishes, colours, label & logo options available.
- If you do not see what you need, just ask, as there is a strong possibility we can do it !

Did you know we also sell?



Rev. No.

Revision Note

Date

Signature

1

Datasheet

10-11 -14

ML



ISO 9001:2008
 Certificate No. FM21080

As part of the company policy of continued product improvement, specifications may change without notice. Our sales office will be pleased to help you with the latest information on this product range and the details of our full design and manufacturing service. All products are supplied to our standard conditions of sale unless otherwise agreed in writing.

Phone : +44 (0)1255 862236

www.comuseurope.co.uk

Fax: +44 (0)1255 862014

©2014 Copyright Comus Europe Ltd, Unit 7, Rice Bridge Industrial Estate, Thorpe - Le - Soken, Essex, CO16 0HL, ENGLAND.
 USA: Comus International:+1 973 777 6900, Belgium: Comus Belgium BVBA: +32 (0)12 390400

Rapid

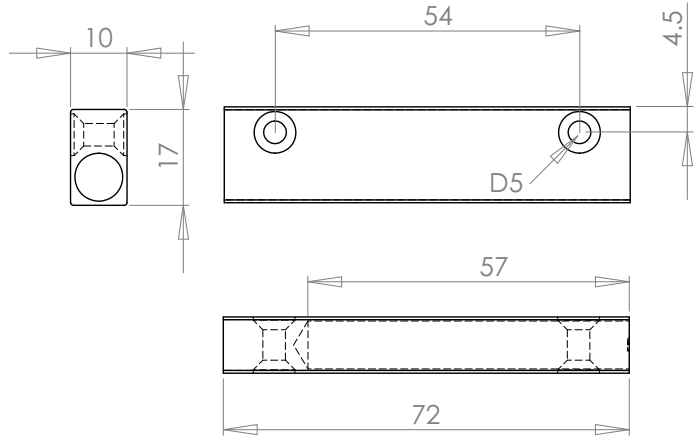
Aluminium Housed Magnet - Approximate Operate Distance 50-55mm

Part Number : 78-4030 (PRM-SA-006)

Product Data Sheet

PICTURE

DIMENSIONS



✓RoHS Compliant

Drawings not to scale
All dimensions in mm nominal

SPECIFICATION

Gauss strength at surface point A	Gauss	1400
Material		Aluminium
Operating Temperature	Celsius	85°.
Finish		Sand blasted & Silver Anodised
magnet Grade		Neodymium N35

Applications Include

- Alarm Systems.
- Lorry and Truck doors.
- Access gates.
- Safety cut off switch.

Options

- Various strength options available.
- Powder coated version available.
- Custom finishes, colours, label & logo options available.
- If you do not see what you need, just ask, as there is a strong possibility we can do it !

Did you know we also sell?



Rev. No.

Revision Note

Date

Signature

1

Datasheet

10-11 -14

ML



ISO 9001:2008
Certificate No. FM21080

As part of the company policy of continued product improvement, specifications may change without notice. Our sales office will be pleased to help you with the latest information on this product range and the details of our full design and manufacturing service. All products are supplied to our standard conditions of sale unless otherwise agreed in writing.

Phone : +44 (0)1255 862236

www.comuseurope.co.uk

Fax: +44 (0)1255 862014

©2014 Copyright Comus Europe Ltd, Unit 7, Rice Bridge Industrial Estate, Thorpe - Le - Soken, Essex, CO16 0HL, ENGLAND.
USA: Comus International:+1 973 777 6900, Belgium: Comus Belgium BVBA: +32 (0)12 390400

Rapid

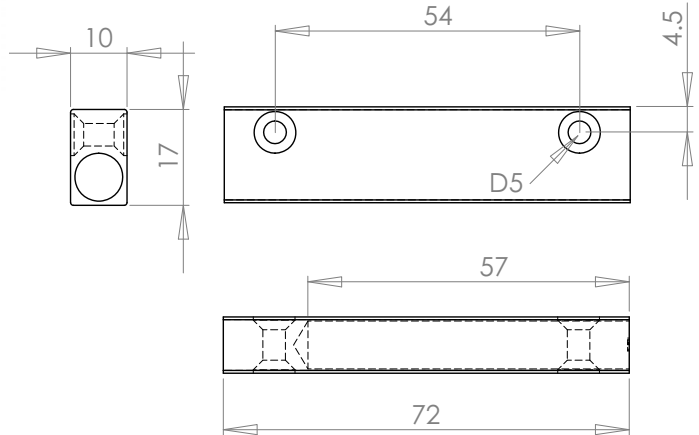
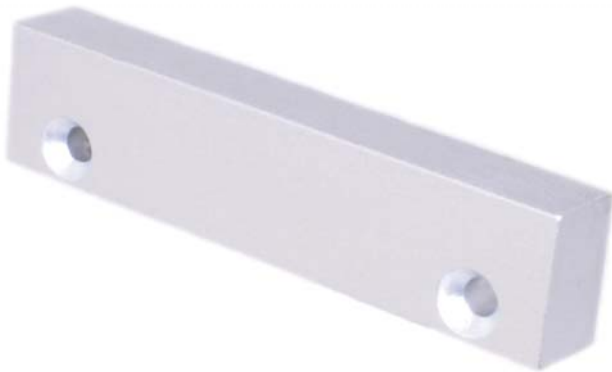
Aluminium Housed Magnet - Approximate Operate Distance 55-60mm

Part Number : 78-4031 (PRM-SA-009)

Product Data Sheet

PICTURE

DIMENSIONS



✓RoHS Compliant

Drawings not to scale
All dimensions in mm nominal

SPECIFICATION

Gauss strength at surface point A	Gauss	2000
Material		Aluminium
Operating Temperature	Celsius	85°.
Finish		Sand blasted & Silver Anodised
magnet Grade		Neodymium N42

Applications Include

- Alarm Systems.
- Lorry and Truck doors.
- Access gates.
- Safety cut off switch.

Options

- Various strength options available.
- Powder coated version available.
- Custom finishes, colours, label & logo options available.
- If you do not see what you need, just ask, as there is a strong possibility we can do it !

Did you know we also sell?



Rev. No.

Revision Note

Date

Signature

1

Datasheet

10-11 -14

ML



ISO 9001:2008
Certificate No. FM21080

As part of the company policy of continued product improvement, specifications may change without notice. Our sales office will be pleased to help you with the latest information on this product range and the details of our full design and manufacturing service. All products are supplied to our standard conditions of sale unless otherwise agreed in writing.

Phone : +44 (0)1255 862236

www.comuseurope.co.uk

Fax: +44 (0)1255 862014

©2014 Copyright Comus Europe Ltd, Unit 7, Rice Bridge Industrial Estate, Thorpe - Le - Soken, Essex, CO16 0HL, ENGLAND.
USA: Comus International:+1 973 777 6900, Belgium: Comus Belgium BVBA: +32 (0)12 390400