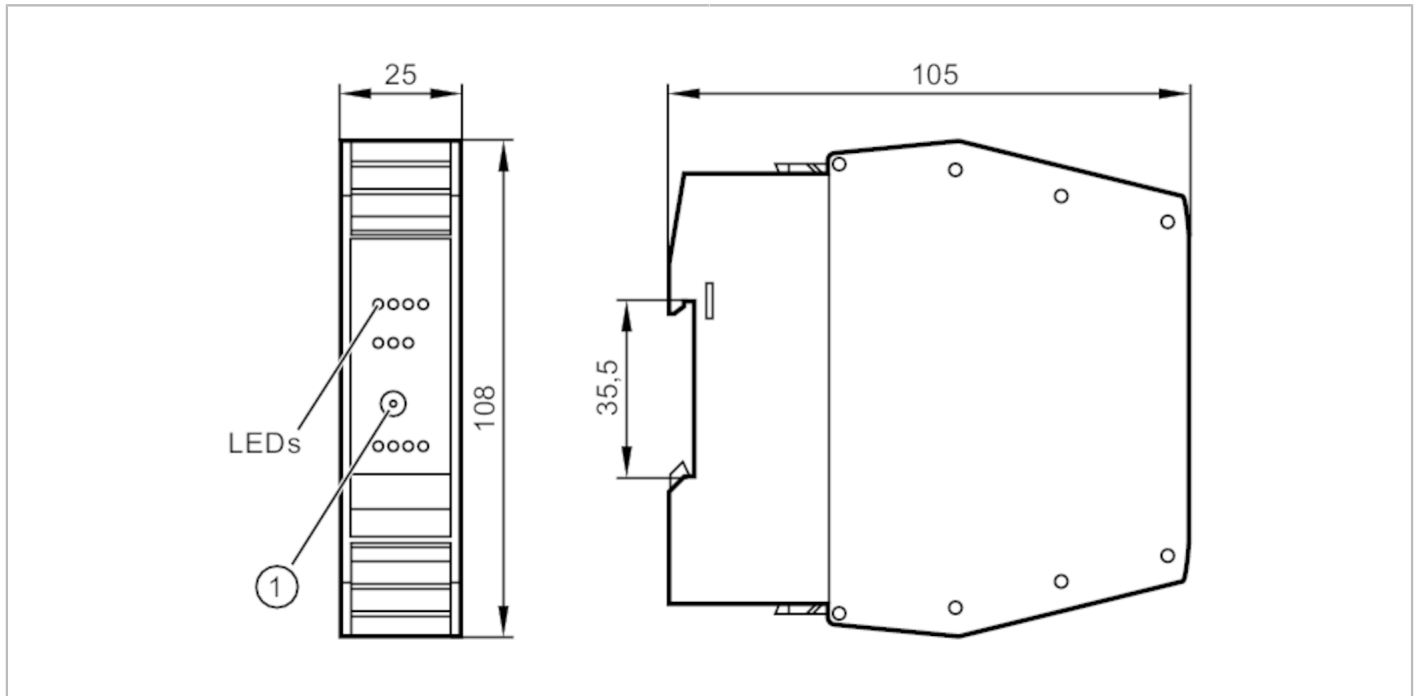


# AC2257



## AS-Interface control cabinet module

SmartL25 4DI 4DO T C



Electrical data	
Operating voltage	[V] 26.5...31.6 DC
Max. current consumption from AS-i	[mA] 50
Max. current load total	[A] 4; (> 50 °C: 2000 mA)
Integrated watchdog	yes
Inputs / outputs	
Number of inputs and outputs	Number of digital inputs: 4; Number of digital outputs: 4
Inputs	
Number of digital inputs	4
Input circuit of digital inputs	PNP
Sensor supply of the inputs	external (E+/E-), to PELV
Voltage supply	[V] 18...30
Max. total current rating of inputs	[mA] 200
Input current High	[mA] 6...10
Input current Low	[mA] 0...2
Min. switching level high signal	[V] 11
Digital inputs protected against short circuits	yes



## AS-Interface control cabinet module

SmartL25 4DI 4DO T C

Outputs					
Number of digital outputs	4				
Circuit	PNP				
Voltage range DC [V]	20...30; (external (E+/E-), to PELV)				
Max. current load per output [mA]	1000; (utilisation category DC-12: 700 mA; utilisation category DC-13 (control of electromagnets): 20 W (IEC 60947-5-1))				
Short-circuit proof	yes				
Electrically separated	yes				
Operating conditions					
Ambient temperature [°C]	-25...70				
Note on ambient temperature	cRUus: -25...60 °C				
Protection	IP 20				
Tests / approvals					
EMC	EN 50295				
	EN 50178				
MTTF [years]	186				
AS-i classification					
AS-i version	2.1				
AS-i addressing	addressing socket				
Extended addressing mode possible	no				
AS-i profile	S-7.0.E				
AS-i I/O configuration [hex]	7				
AS-i ID code [hex]	0.E				
AS-i certificate	37302				
Assignment of the data bits	data bit	D0	D1	D2	D3
	input	I-1	I-2	I-3	I-4
	Output	O-1	O-2	O-3	O-4
Mechanical data					
Weight [g]	136.5				
Type of mounting	mounting on DIN rail; string mounting possible				
Materials	PA				
Displays / operating elements					
Display	switching status		LED, yellow		
	operation		LED, green		
	errors		LED, red		
Accessories					
Accessories (optional)	COMBICON connectors				
Remarks					
Pack quantity	1 pcs.				



## AS-Interface control cabinet module

SmartL25 4DI 4DO T C

### Electrical connection

COMBICON:

### Connection

I-	I-	I-	I-
I1	I2	I3	I4
I+	I+	I+	I+

O-	O-	O-	O-
O1	O2	O3	O4
A+	A-	E+	E-

A+	AS-i +
A-	AS-i -
I+	Sensor supply +24V
I-	Sensor supply 0V
E+	external voltage supply for sensors/actuators
E-	external voltage supply for sensors/actuators
I1...I4	switching input sensor 1...4
O-	switching output actuator 0V
O1...O4	switching output actuator 1...4