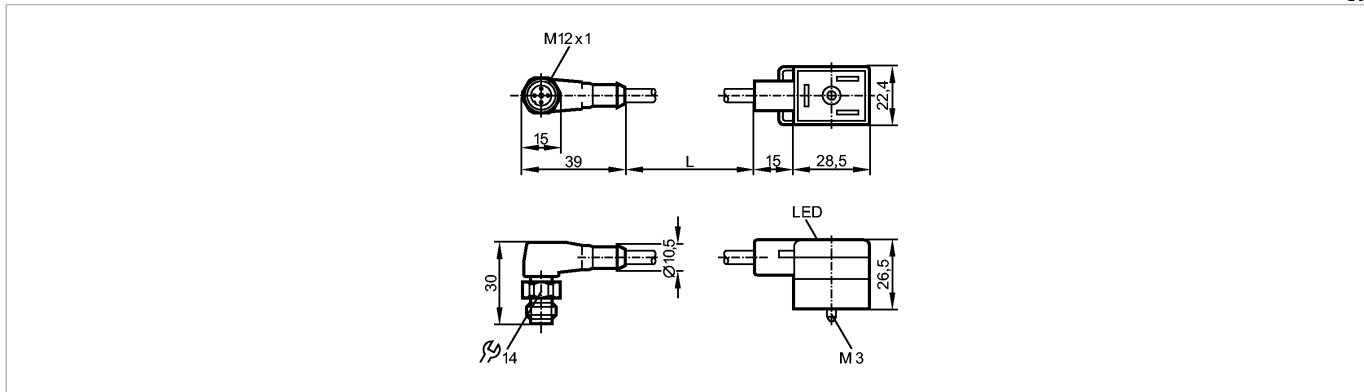




VVSAB041--S00.3A03STAH030VAS

Connection technology



Product characteristics

Jumper

M12 plug / valve plug type B (industrial standard)

with protective circuitry

Free from halogen

Electrical data

Electrical design

AC/DC

Operating voltage [V]

24 AC/DC

Overvoltage protection VDR

•

Environment

Ambient temperature [°C]

-25...90

Protection

IP 67

Mechanical data

Design

angled / angled

Material body

TPU

Material nut

stainless steel 316L / 1.4404

Weight [kg]

0.058

Displays / operating elements

Operation

LED

yellow

Electrical connection

Connection

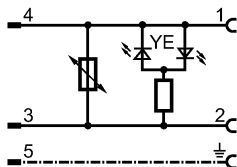
PUR cable / 0.3 m;

3 x 0.5 mm² (16 x Ø 0.2 mm); Ø 4.8 mm; halogen-free

Sheath colour

black

Wiring



Accessories

Accessories (included)

screw; tag for labelling

Remarks

Pack quantity

[piece]

1