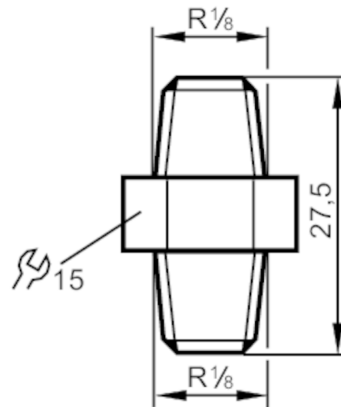


E37350



Screw-in adapter for process sensors

ROTATABLE DOUBLE NIPPLE



Application	
Installation	rotatable
Pressure rating [bar]	16
Tests / approvals	
Pressure Equipment Directive	A possible classification to PED depends on the application and has to be carried out by the user / operator.
Safety instructions	The compatibility between medium and product material has to be checked in all applications.
Mechanical data	
Weight [g]	20.3
Type of mounting	rotatable
Materials	brass nickel-plated
Remarks	
Pack quantity	1 pcs.