

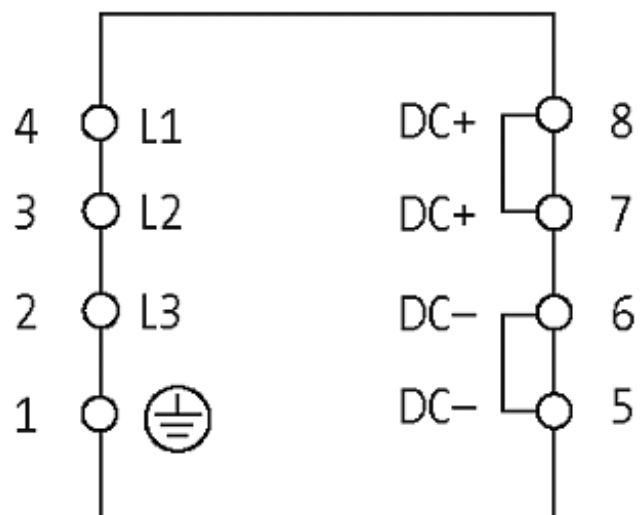
EVOLUTION POWER SUPPLY 3-PHASE,

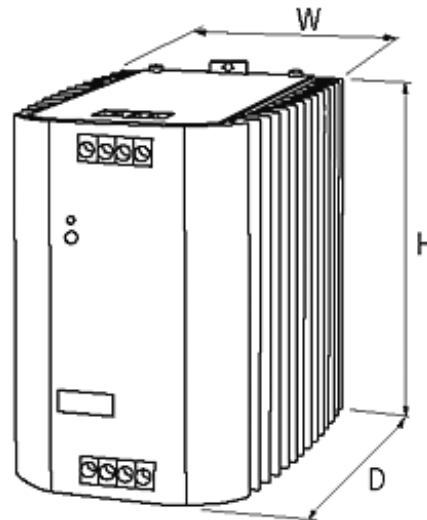
IN: 360-520VAC OUT: 22-28V/10ADC

INPUT: 3×360...520 V AC/480...745 V DC

OUTPUT: 24 V DC ± 1%

Current: 10 A

[Link to Product](#)**Illustration**



Product may differ from Image

Approvals



Input

| | |
|---------------------------|-----------------------------------|
| Input voltage | 3 × 324...572 V AC/480...745 V DC |
| Input current | 3 × 0.8 A |
| Inrush current after 1 ms | max. 15 A |
| Primary fusing external | 3 × 10 A (T) |
| Frequency | 50...60 Hz |

General data

| | |
|----------------------|--|
| Standards | (EN 60950-1), (EN 61204-3), (EN 55022 B), (EN 61000-3-2) |
| Relative humidity | 5...95 %, no condensation |
| Efficiency | 90 % |
| Mounting method | DIN-rail mountable TH35 (EN 60715) |
| Dimensions H × W × D | 132×93×114 mm |
| Protection | IP20 |
| Temperature range | -25...+70 °C (storage temperature -40...+85 °C) |

Output

| | |
|-----------------------------|--|
| Output voltage | 24 V DC (SELV), ±1 %; 22...28 V adjustable |
| Output current | 10 A (+55 °C); 6.5 A (+70 °C) |
| Power Boost | I _{out} N × 150 % (min. 4 s) |
| Mains failure bridging time | min. 19 ms (400 V AC) |
| Ripple | max. 50 mV _{rms} |
| Unit protection | short-circuit and overload protected |
| Spikes | max. 100 mV p-p |

| | |
|-----------------------------|--------------------------------------|
| LED display | LED (green): OK; LED (red): overload |
| Parallel usage/serial usage | max. 5 units/max. 2 units |

Commercial data

| | |
|------------------------|----------|
| country of origin | CZ |
| customs tariff number | 85044090 |
| minimum order quantity | 1 |