




ROTARY OPERATOR WITH SHAFT STUB WITHOUT HANDLE
FOR RETROFIT 8UC ACCESSORY FOR: 3VA5 125



Model	
Product brand name	SENTRON
Product designation	Accessories
Design of the product	Rotary operating mechanisms with shaft stub
accessories	ROTARY OPERATING MECHANISM WITH SHAFT STUB

Mechanical Design	
Height	70 mm
Width	77 mm

Certificates			
General Product Approval	EMC	Declaration of Conformity	other
			Miscellaneous



[Miscellaneous](#)

Further information

Information- and Downloadcenter (Catalogs, Brochures,...)

<http://www.siemens.com/lowvoltage/catalogs>

Industry Mall (Online ordering system)

<https://mall.industry.siemens.com/mall/en/en/Catalog/product?mlfb=3VA9137-0GK00>

Service&Support (Manuals, Certificates, Characteristics, FAQs,...)

<https://support.industry.siemens.com/cs/ww/en/ps/3VA9137-0GK00>

Image database (product images, 2D dimension drawings, 3D models, device circuit diagrams, ...)

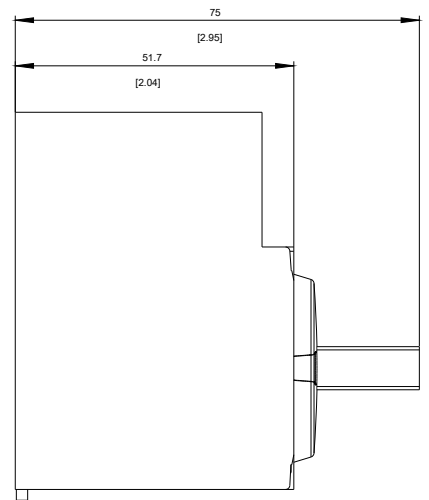
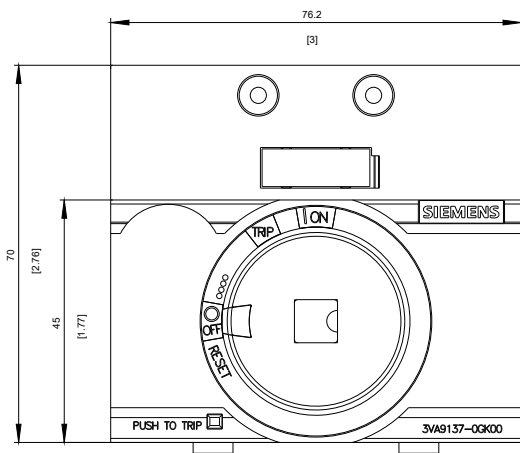
http://www.automation.siemens.com/bilddb/cax_en.aspx?mlfb=3VA9137-0GK00

CAX-Online-Generator

<http://www.siemens.com/cax>

Tender specifications

<http://www.siemens.com/specifications>



last modified:

08/28/2017