

Digital Height Gauge

Digimatic[®] Height Gauge

Catalog No. E4321-192



Height gauges feature improved ease of operation and enhanced functionality

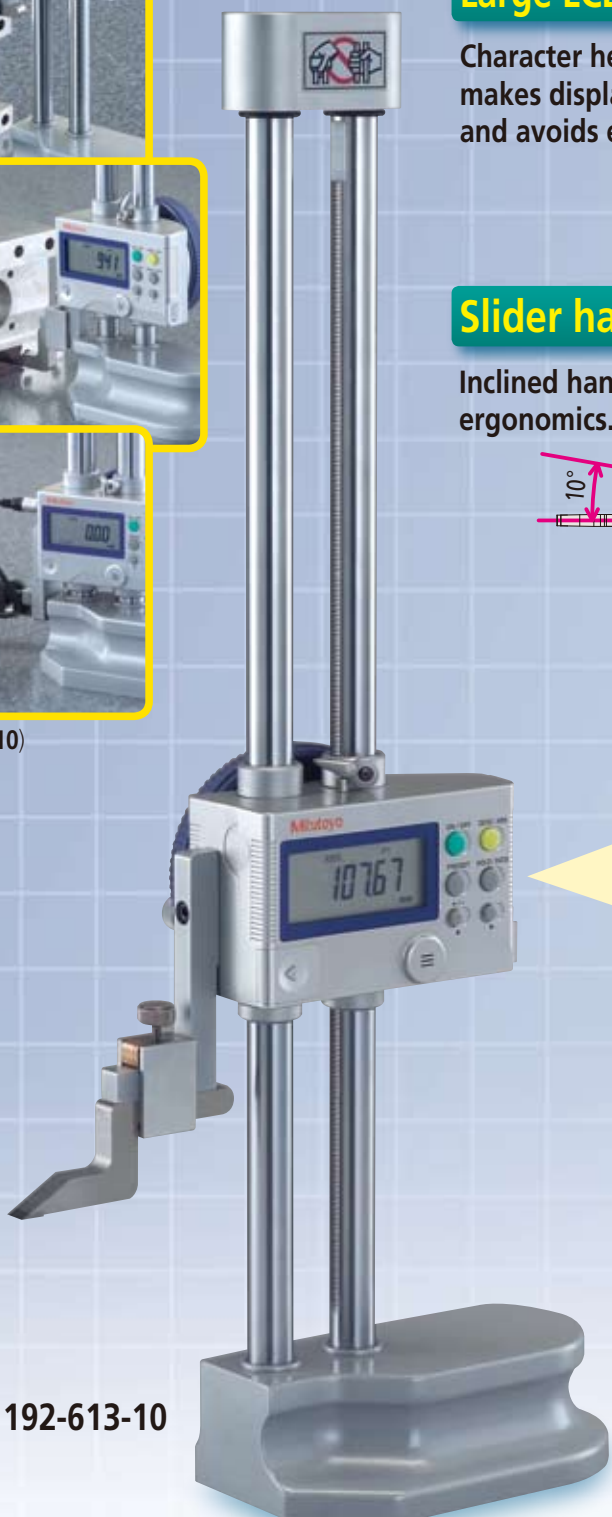
Mitutoyo

Best-selling Models
with double-column construction

Digital Height



(Photo: 192-663-10)



192-613-10

Large LCD characters

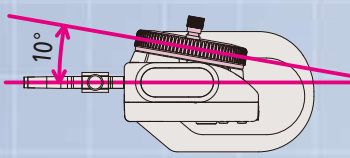
Character height of 11 mm makes display easy to read and avoids eyestrain.

Actual size



Slider handle

Inclined handle improves slider ergonomics.



HD-30AX display

• Design registration pending



- Large function buttons. Frequently used buttons are positioned on the right-hand side of the panel for easy operation.
- Uses the proven alarm system as used on previous models.

Base

Base is shaped to offer a secure grip



Gauges with Improved Ease of

Resolution switchable to 0.01 or 0.005 mm

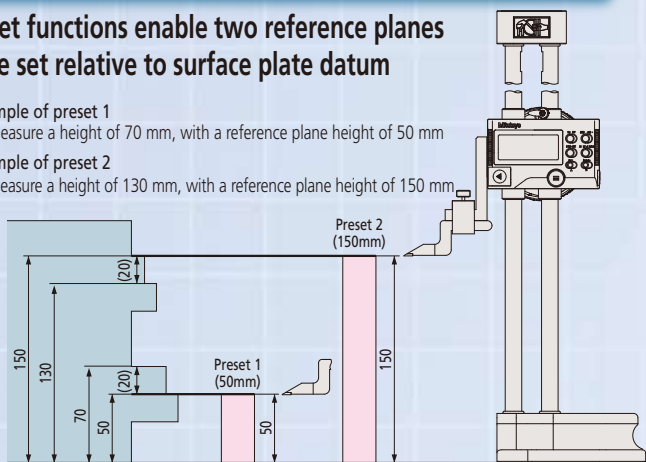
Simple switching operation



Highly efficient operation plus preset-function convenience

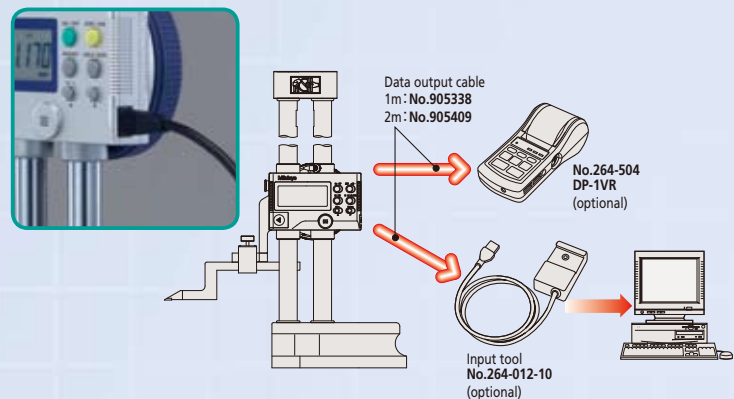
Preset functions enable two reference planes to be set relative to surface plate datum

- Example of preset 1
To measure a height of 70 mm, with a reference plane height of 50 mm
- Example of preset 2
To measure a height of 130 mm, with a reference plane height of 150 mm



Output function for all models

Connectable to the Digimatic Mini-processor DP-1VR, or to a PC via the input tool

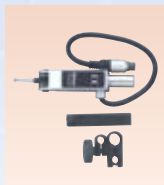


- Functions**
- Zero-set
 - Two preset reference heights
 - Direction switching
 - ABS measurement system (origin setting function)
(Re-setting of the origin required after power-off.)
 - Hold
 - Data output
 - Probe-ball diameter correction (HDM-AX only)

Options

- Bidirectional touch signal probe for Multi-function type

| Code No. | metric | inch |
|----------------------------|--------------------|---------|
| | 192-007 | 192-008 |
| Measuring direction | Two-directional | |
| Contact method | Normally open | |
| Probe overtravel | 1.5 mm | |
| Probe tip type | ø3 mm carbide ball | |
| Repeatability (σ) | 2 μ m | |
| Cable length | Approx. 150 mm | |
| Measuring force | 0.4 N | |
| Standard accessories | Holder arm, clamp | |



* The Multi-function type has a probe-ball diameter correction function.

- Connecting cable



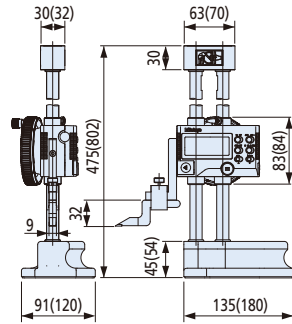
Part No.905338: 1 m
Part No.905409: 2 m

gimatic® Height Gauge

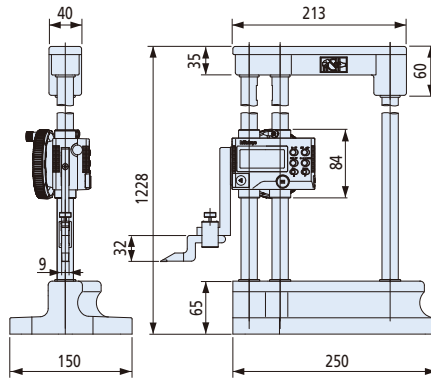
Standard type with Digimatic output

■ External dimensions (unit: mm)

0-300 mm (0-600 mm)



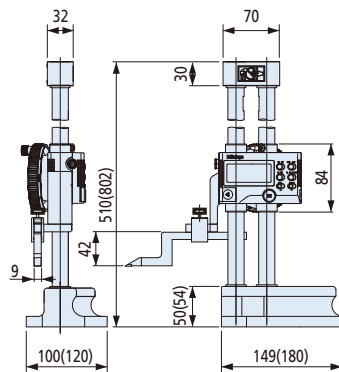
0-1000 mm



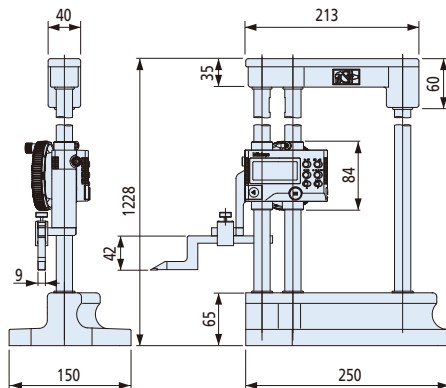
Multi-function type with Digimatic output, a bidirectional touch signal probe can be used

■ External dimensions (unit: mm)

0-300 mm (0-600 mm)



0-1000 mm



Operation and Functions

Standard type with Digimatic output



192-613-10

Specifications

| Code No. | metric | | | inch / metric | | | |
|-----------------------------|--|------------|------------|---|------------------|------------------|------------------|
| | 192-613-10 | 192-614-10 | 192-615-10 | 192-630-10 | 192-631-10 | 192-632-10 | 192-633-10 |
| Measuring range | 0-300mm | 0-600mm | 0-1000mm | 0-300mm / 0-12" | 0-450mm / 0-18" | 0-600mm / 0-24" | 0-1000mm / 0-40" |
| Resolution | Switchable between 0.01 and 0.005 mm | | | 0.01mm / .0005" (0.005mm / .0002" switchable) | | | |
| Display | 7-digit LCD, character height: 11 mm | | | | | | |
| Accuracy* | ±0.02mm | ±0.05mm | ±0.07mm | ±0.02mm / ±.001" | ±0.05mm / ±.002" | ±0.05mm / ±.002" | ±0.07mm / ±.003" |
| Repeatability | 0.01mm | | | 0.01mm / .0005" | | | |
| Response speed | About 500 mm/s | | | | | | |
| Power supply | One SR44 battery (silver oxide button cell) No.938882 | | | | | | |
| Battery life | About 3,500 hours | | | | | | |
| Operating temperature range | 0°C to 40°C | | | | | | |
| Weight | 4.7kg | 8.3kg | 15.7kg | 4.7kg | 7.5kg | 8.3kg | 15.7kg |
| Scriber No. | 07GZA000 | | | 900258 | | | |
| Scriber clamp No. | 05GZA033 | | | 901385 | | | |
| Standard accessories | Scriber, scriber clamp, battery | | | | | | |

* Quantizing error: ±1, without count

Multi-function type with Digimatic output, a bidirectional touch signal probe can be used



192-663-10

Specifications

| Code No. | metric | | | inch / metric | | | |
|-----------------------------|--|------------|------------|---|-------------------|-------------------|-------------------|
| | 192-663-10 | 192-664-10 | 192-665-10 | 192-670-10 | 192-671-10 | 192-672-10 | 192-673-10 |
| Measuring range | 0-300mm | 0-600mm | 0-1000mm | 0-300mm / 0-12" | 0-450mm / 0-18" | 0-600mm / 0-24" | 0-1000mm / 0-40" |
| Resolution | Switchable between 0.01 and 0.005 mm | | | 0.01mm / .0005" (0.005mm / .0002" switchable) | | | |
| Display | 7-digit LCD, character height: 11 mm | | | | | | |
| Accuracy* | ±0.02mm | ±0.04mm | ±0.06mm | ±0.02mm / ±.001" | ±0.04mm / ±.0015" | ±0.04mm / ±.0015" | ±0.06mm / ±.0025" |
| Repeatability | 0.01mm | | | 0.01mm / .0005" | | | |
| Response speed | About 500 mm/s | | | | | | |
| Power supply | One SR44 battery (silver oxide button cell) No.938882 | | | | | | |
| Battery life | About 3,500 hours | | | | | | |
| Operating temperature range | 0°C to 40°C | | | | | | |
| Weight | 5.7kg | 8.3kg | 15.7kg | 5.7kg | 7.5kg | 8.3kg | 15.7kg |
| Scriber No. | 905200 | | | 905201 | | | |
| Scriber clamp No. | 05GZA033 | | | 901385 | | | |
| Standard accessories | Scriber, scriber clamp, battery | | | | | | |

* Quantizing error: ±1, without count



Export permission by the Japanese government may be required for exporting our products according to the Foreign Exchange and Foreign Trade Law. Please consult our sales office near you before you export our products or you offer technical information to a nonresident.

- Coordinate Measuring Machines
- Vision Measuring Systems
- Form Measurement
- Optical Measuring
- Sensor Systems
- Test Equipment and Seismometers
- Digital Scale and DRO Systems
- Small Tool Instruments and Data Management

Note: All information regarding our products, and in particular the illustrations, drawings, dimensional and performance data contained in this pamphlet, as well as other technical data are to be regarded as approximate average values. We therefore reserve the right to make changes to the corresponding designs, dimensions and weights. The stated standards, similar technical regulations, descriptions and illustrations of the products were valid at the time of printing. Only quotations submitted by ourselves may be regarded as definitive.
Our products are classified as regulated items under Japanese Foreign Exchange and Foreign Trade Law. Please consult us in advance if you wish to export our products to any other country. If the purchased product is exported, even though it is not a regulated item (Catch-All controls item), the customer service available for that product may be affected. If you have any questions, please consult your local Mitutoyo sales office.

Mitutoyo Corporation
 20-1, Sakado 1-Chome,
 Takatsu-ku, Kawasaki-shi,
 Kanagawa 213-8533, Japan
 T +81 (0) 44 813-8230
 F +81 (0) 44 813-8231
<http://www.mitutoyo.co.jp>

