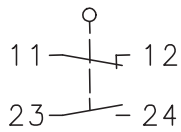


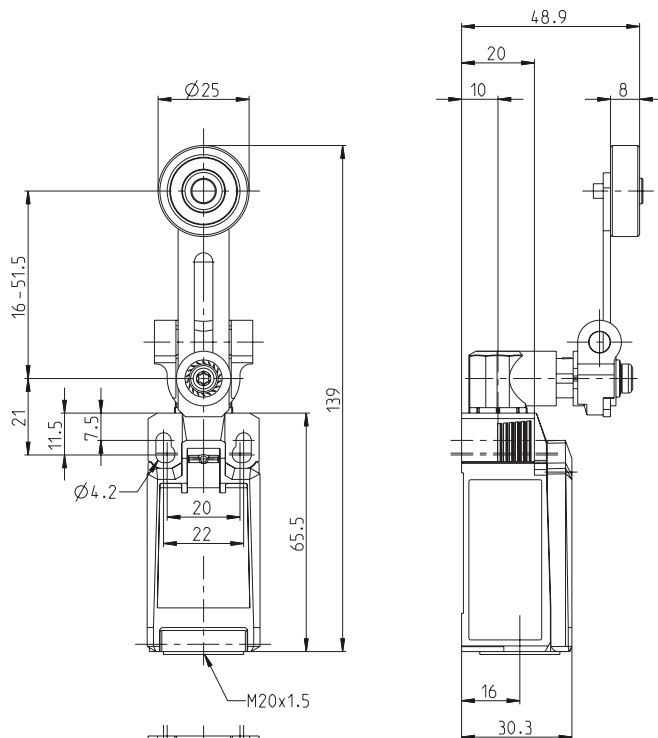
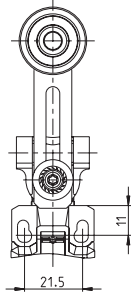
Plastic bodied limit switch Series IN65

| | |
|--------------------------------|----------------------------------|
| Description IN65-U1 AVK | Article number 6083000284 |
|--------------------------------|----------------------------------|

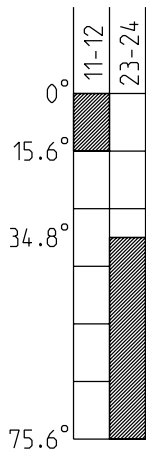
Operating symbol



Fixed positioning with e.g. fixing screw M5 according to the standard DIN EN ISO 4762.

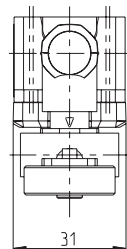


Operating diagram



Tolerance:
 Operating point $\pm 3,5^\circ$;
 Operating force $\pm 10\%$

ON OFF



| | | | | | | |
|--|-----|-----|-----|-----|-----|-----|
| | m/s | 0,1 | 0,5 | 1 | 2 | 5 |
| | A | 45° | 45° | 45° | 40° | 30° |
| | B | 45° | 45° | 45° | 40° | 30° |

| Electrical Data | | |
|---|-----------|---|
| Rated insulation voltage | U_i | 400 V AC |
| Rated impulse withstand voltage | U_{imp} | 4 kV |
| Rated operational voltage | U_e | 240 V |
| Rated supply frequency AC | | 50 / 60 Hz |
| Overvoltage category | | II acc. EN 60947-1 annex H table H1 |
| Conv. thermal current | I_{the} | 5 A |
| Minimum current | | 1 mA |
| Utilization category | | AC 15, U_e/I_e 240 V / 3 A DC 13, U_e/I_e 24 V / 1,5 A |
| Short-circuit protective device | | Fuse 4 A gG |
| Rated conditional short-circuit current | | 400 A |
| Max. contact resistance | | 25 mOhm (unused) |

| Mechanical data | | |
|------------------------------------|-------|---|
| Enclosure | | Thermoplastic, glass fibre reinforced (UL 94-V0) |
| Cover | | Thermoplastic, glass fibre reinforced (UL 94-V0) |
| Actuator | | Metal lever with plastic roller / lever in 15 ° increments adjustable |
| Actuating force | F_B | 10 N $\leq F_B \leq$ 30 N |
| Operating temperature | | -30 °C ... +75 °C |
| Storage temperature | | -40 °C ... +80 °C |
| Protection type | | IP66 / IP67 acc. EN 60529 |
| Pollution degree (built-in switch) | | 3 |
| Contact material | | silver |
| Device Class (built-in switch) | | Category E (MC3+CC2+SC1) acc. EN 60947-1 annex Q |
| Contact type | | 1 N.C., 1 N.O. (Form Zb) |
| Isolating distance | | 4 mm (2x2 mm) |
| Operating rate | V | 0,06 m/min $\leq V \leq$ 30 m/min |
| Bounce duration | ms | The value depends on the operating rate. |
| Switchover time | ms | The value depends on the operating rate. |
| Switching frequency | | \leq 60 / min. |
| Mechanical life | | 10 x 10 ⁶ operating cycles |
| Mission time | | \leq 20 years |
| Connection | | 4 screw connections (M3) |
| Conductor cross-sections | | Solid or Litz wire with ferrules 0,34 mm ² - 1,5 mm ² ; AWG 22-16 |
| Cable entrance | | 1 x M20 x1,5 |
| Weight | | \approx 0,09 kg |
| Installation position | | operator definable |

| Actuation |
|---|
| <p>The actuating device is preferably started from 2 sides. By lifting the clamp the actuation assembly can be rotated in 45° increments such that 16 actuation directions are possible. The actuation assembly is to be again fastened to the housing by lowering the clamp.</p> |

| Standards |
|--------------------------|
| DIN EN 60947-5-1 |
| UL 508 / CSA C22.2 No.14 |

EU Conformity

acc. to directive 2014/35/EU (Low-Voltage-Directive)

Approvals

CCC (AC 15, U_e/I_e 240 V / 1,5 A; DC 13, U_e/I_e 24 V / 1,5 A)

cCSA_{US} B300, 240Vac 1.5A G.P., 24Vdc 1.5A R. Enclosure Type 4X

Notes

The degree of protection (IP code) specified applies solely to a property closed cover and the use of an equivalent cable gland with adequate cable.