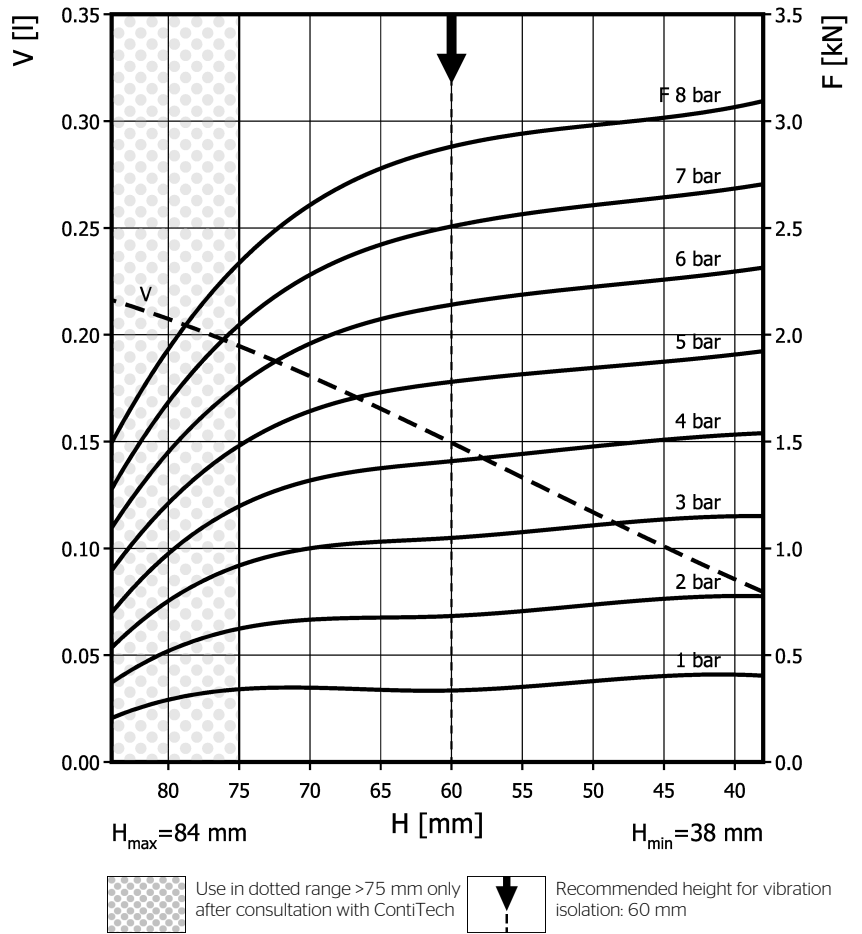
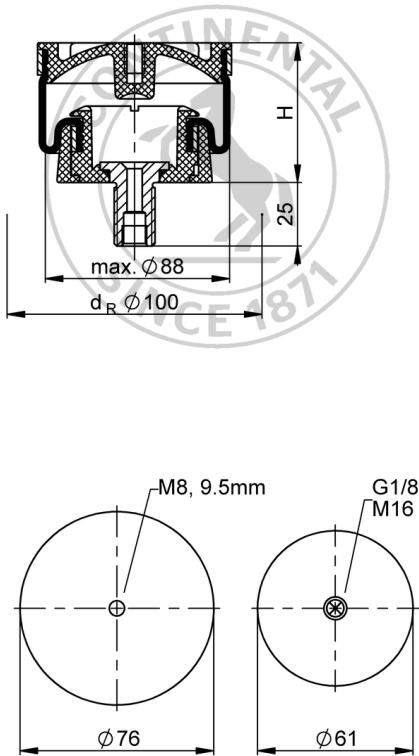


SK 37-6 P02

Sleeve Type Air Actuator



Purchase order data
Technical data

Type	Order No.
with brass stud, G1/8 air inlet 0 mm excentrical	63235

Min. pressure	0 bar
Return force to min height	≤ 90 N
Overall weight	0.28 kg

Additional types on request

Vibration isolation - dynamic characteristic values

Design height H: recommended 60mm

Pressure p [bar]	3	4	5	6	7	8	Vol. V [l]	
Force (Load) [kN]	1.1	1.4	1.8	2.1	2.5	2.9		0.15
Spring rate [N/mm]	32.5	41	50	59	67	75		
Natural frequency [Hz]	2.8	2.7	2.7	2.6	2.6	2.6		

Pneumatic application - static characteristic values

Force F [kN]

Pressure p [bar]	3	4	5	6	7	8	Vol. V [l]	
Height H [mm]	70	1	1.32	1.65	1.97	2.29		0.18
	60	1.04	1.4	1.77	2.13	2.5		0.15
	50	1.1	1.47	1.84	2.22	2.6		0.12
	40	1.15	1.53	1.91	2.3	2.69	0.085	



Service instructions
 M16: max. 14 Nm
 M8: max. 5 Nm
 G1/8: max. 25 Nm

Measuring procedure: Room temperature / Force-height-data quasistatic / Dynamic data at 1 Hz