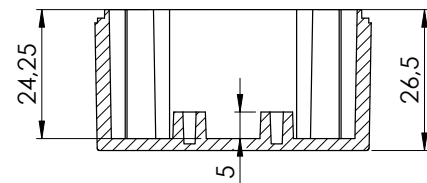
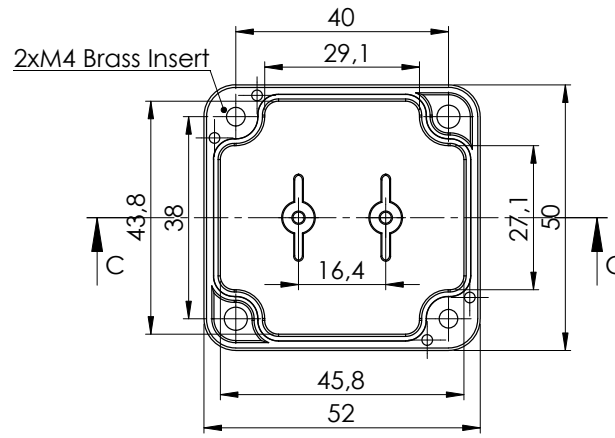
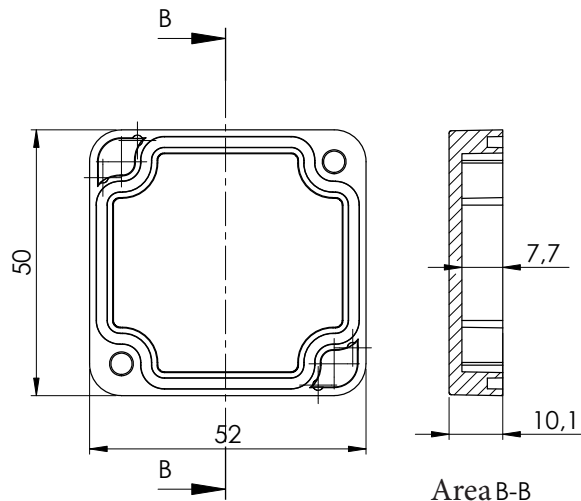


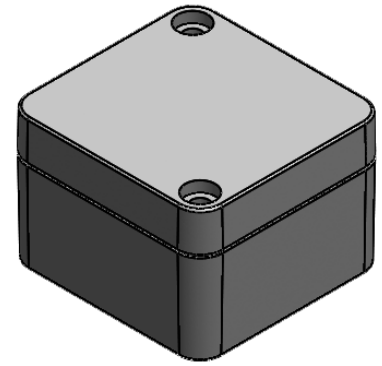
Area A-A **ASSEMBLY**



Area C-C **BASE**



COVER Area B-B



ARTICLE NO:		REVISION:	
DRAWN	NAME	DATE	TITLE:
CHECKED			SE-202 IP-65 Dark Gray ABS Enclosure
COMMENTS:			DWG NO: SE-202-0-0-D-0
MATERIAL:			A3
WEIGHT:		SCALE:1:1	SHEET 1 OF 1