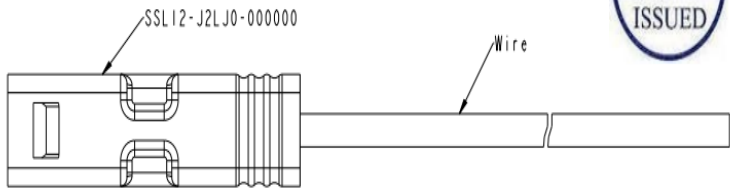
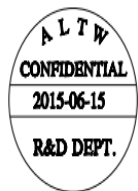
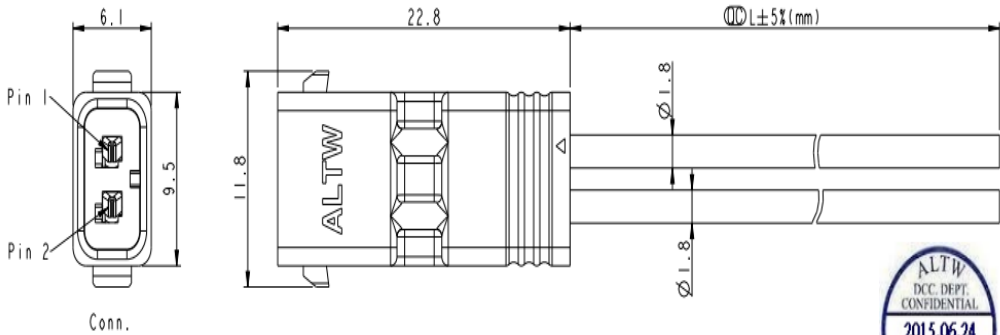


REV.	ECN NO.	DATE	SIGN	DESCRIPTION
A	Initial Release	2014/07/31	Cary	Change To Rev.A
B	LE314A0239	2014/10/16	Cary	Commissioned to supplier production
C	LEN1560332	2015-06-15	Fisher	Add Package



SSL12-J2LJ0-020AXX

- 01: L=100±20mm
- 02: L=200±20mm
- 04: L=400±25mm
- Standard Length is 400mm.
- Wire Length Range(L): 100-9900mm
- 20: 20AWG

Notes:

- * \varnothing Important Dimension To Check.
- * Waterproof Rate: IP68(mating)
1M Depth Of Water In 24 Hours.
- * Housing: Thermoplastic, UL94V-0, Natural White.
- * Terminal: Copper Alloy, Gold Plated on contact area.
- * Seals: Silicone, Gray.
- * Wire: UL1430 20AWG.
- * Current Rating : 5A maximum.
- * Voltage Rating: 250V DC/AC maximum.
- * Operating Temperature: -40~+105°C.

2	Red	紅
1	Brown	棕
Conn.	Wire	
Pin-out		

UNIT:mm	
---------	--

TOLERANCE	
.X	±0.25
.XX	±0.1
.XXX	±0.05
ANGLES	±1°

TITLE SSL1.2 2P WIRE ASS'Y JACK TO OPEN			
SCALE	3:1	SIZE	A4
SHEET	1	OF	2
REV.	C	ECN-REV.	A.7
\varnothing : Inspection item			

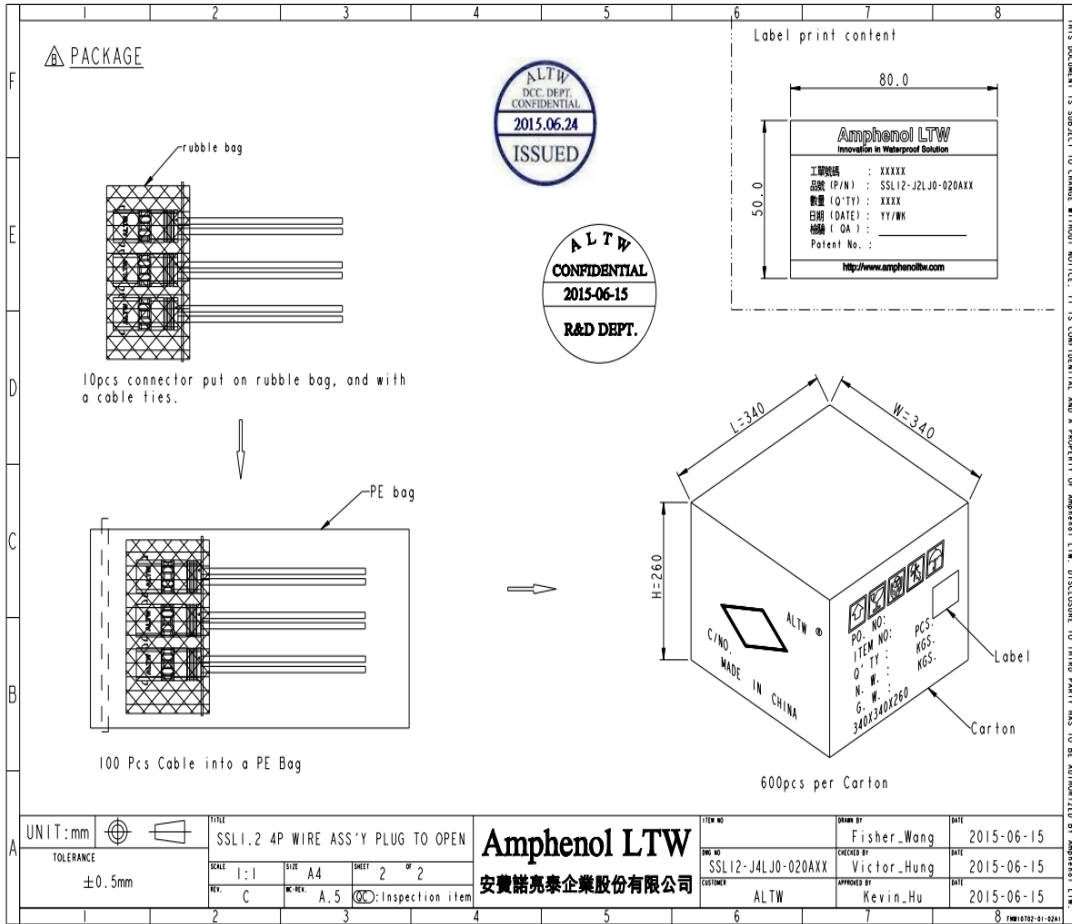
Amphenol LTW

安費諾亮泰企業股份有限公司

DESIGN NO	SS12-J2LJ0-020AXX	DRAWN BY	Fisher	DATE	2015-06-15
CHECKED BY	Victor	DATE	2015-06-15		
APPROVED BY	Kevin	DATE	2015-06-15		
CUSTOMER	ALTW				

THIS DOCUMENT IS SUBJECT TO CHANGE WITHOUT NOTICE. IT IS CONFIDENTIAL AND A PROPERTY OF AMPHENOL LTW. DISCLOSURE TO THIRD PARTY HAS TO BE AUTHORIZED BY AMPHENOL LTW.

A B C D E F



THIS DOCUMENT IS SUBJECT TO CHANGE WITHOUT NOTICE. IT IS CONFIDENTIAL AND A PROPERTY OF AMPHENOL LTW. DISCLOSURE TO THIRD PARTY HAS TO BE AUTHORIZED BY AMPHENOL LTW.