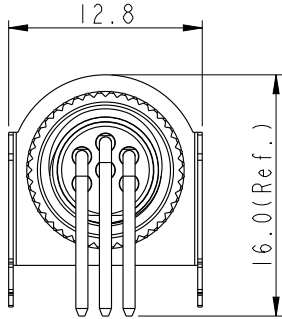
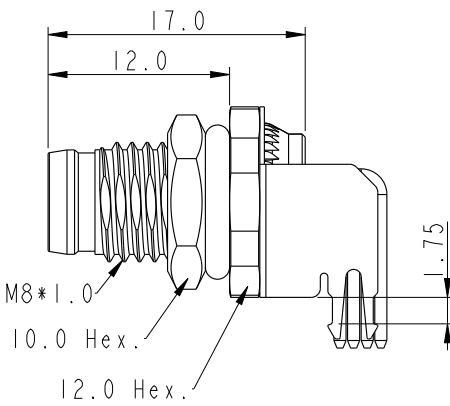
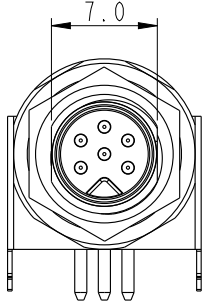
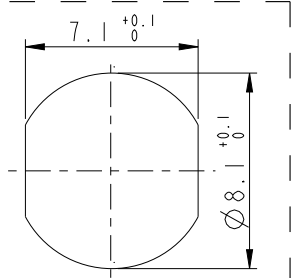


REV.	ECN NO.	DATE	SIGN	DESCRIPTION

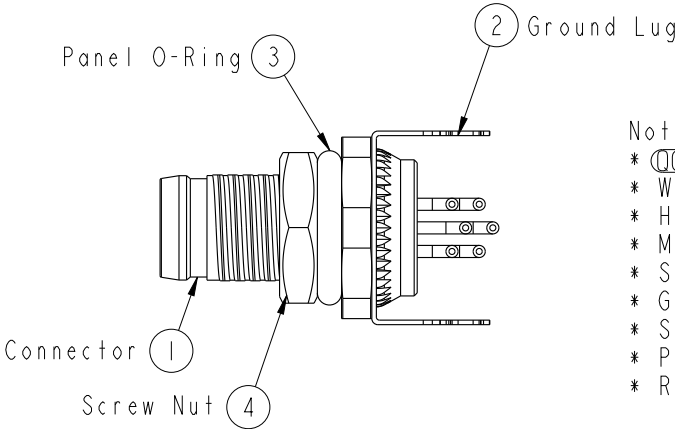
ALTW
CONFIDENTIAL
2016-06-14
R&D DEPT.



ALTW
DCC. DEPT.
CONFIDENTIAL
2016.07.22
ISSUED



Recommended Panel Cut-Out



- Note:
- * \varnothing Important Dimension.
 - * Waterproof Rate: IP68.
 - * Housing: Nylon+GF, Black.
 - * Male Pin: Copper Alloy, Gold Plated.
 - * Shell: Copper Alloy, Nickel Plated.
 - * Ground Lug: Copper Alloy, Nickel Plated.
 - * Screw Nut: Copper Alloy, Nickel Plated.
 - * Panel O-Ring: Viton, Green.
 - * Rated Voltage: 2 & 3Pin 60V dc. or ac.
4 ~ 6Pin 30V dc. or ac.
 - * Rated Current: 2 ~ 4Pin 3A
5 & 6Pin 1.5A
 - * Operating Temperature: -20~85°C
 - * For Panel Thickness: Min=2.0mm, Max=4.0mm.
 - * For PCB Thickness: Max=1.6mm.
 - * Recommended Nut Torque: 4~6kgf.cm.

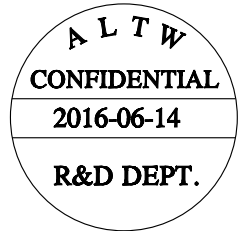
UNIT: mm		
TOLERANCE	±0.25	
.X	±0.1	
.XX	±0.05	
.XXX	±0.05	
ANGLES	±1°	

TITLE M8 Male Conn. Panel 90° PCB Type With Key (Shielded)			
SCALE 2:1	SIZE A4	SHEET 1 OF 2	
REV. A	WC-REV. A.5	\varnothing : Inspection item	

Amphenol LTW
安費諾亮泰企業股份有限公司

ITEM NO.	DRAWN BY Yulong_wang	DATE 2016-06-14
DWG NO. M8AS-XXPMR-SF8001	CHECKED BY Jinhai	DATE 2016-06-14
CUSTOMER ALTW	APPROVED BY Jerry	DATE 2016-06-14

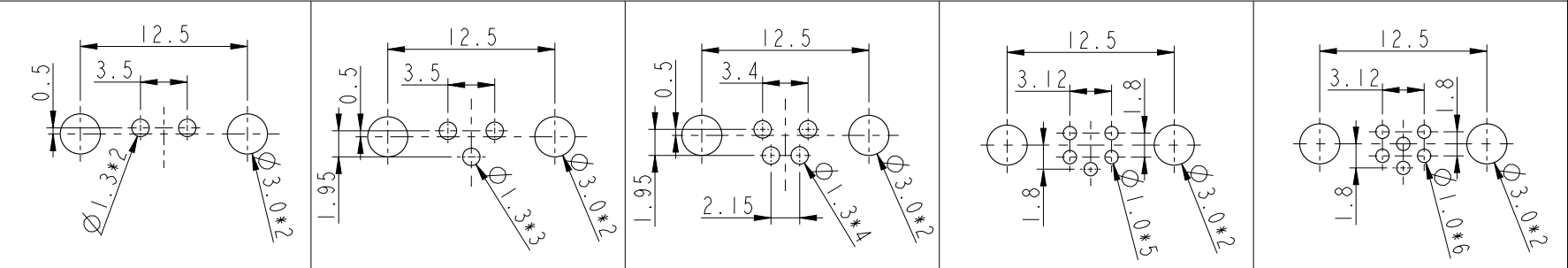
THIS DOCUMENT IS SUBJECT TO CHANGE WITHOUT NOTICE. IT IS CONFIDENTIAL AND A PROPERTY OF AMPHENOL LTW. DISCLOSURE TO THIRD PARTY HAS TO BE AUTHORIZED BY AMPHENOL LTW.



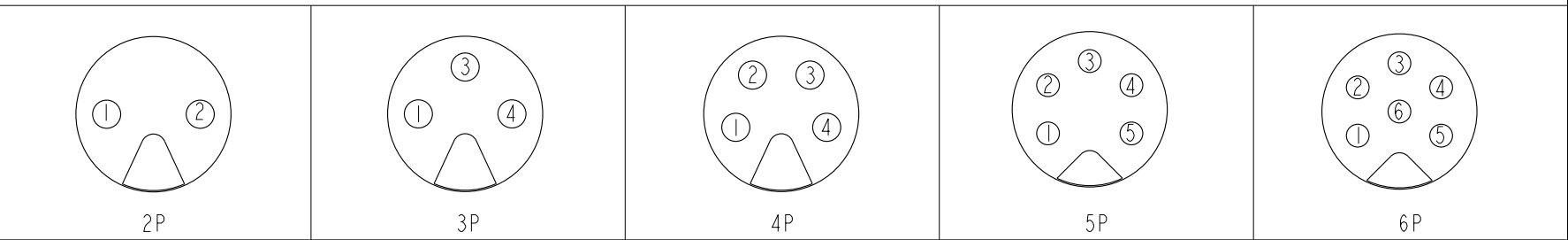
M 8AS - XX P M M R - S F 8 001

8AS: M8 Sensor Shielded(w/Key)
 02: 2Pin
 03: 3Pin
 04: 4Pin
 05: 5Pin
 06: 6Pin
 P: Panel(板端)
 M: Male Connector(公座)

001: Phantom(虛擬料號)
 8: IP68(防水等級68)
 F: Front Fasten(前鎖式/Enclosure Rear Mount)
 S: Screw(螺紋式)
 R: 90° PCB THT/DIP Type(90° 基板插件式)
 M: Male Pin(公Pin)



Recommend PCB Layout



Pin Assignmen Front View

UNIT: mm

TOLERANCE	
.X	±0.25
.XX	±0.1
.XXX	±0.05
ANGLES	±1°

TITLE M8 Male Conn. Panel 90° PCB Type With Key (Shielded)		
SCALE 2:1	SIZE A4	SHEET 2 OF 2
REV. A	WC-REV. A.5	☉: Inspection item

Amphenol LTW
 安費諾亮泰企業股份有限公司

ITEM NO	DWG NO	CUSTOMER
	M8AS-XXPMMR-SF8001	ALTW

DRAWN BY	CHECKED BY	APPROVED BY
Yulong_wang	Jinhai	Jerry

DATE	DATE	DATE
2016-06-14	2016-06-14	2016-06-14