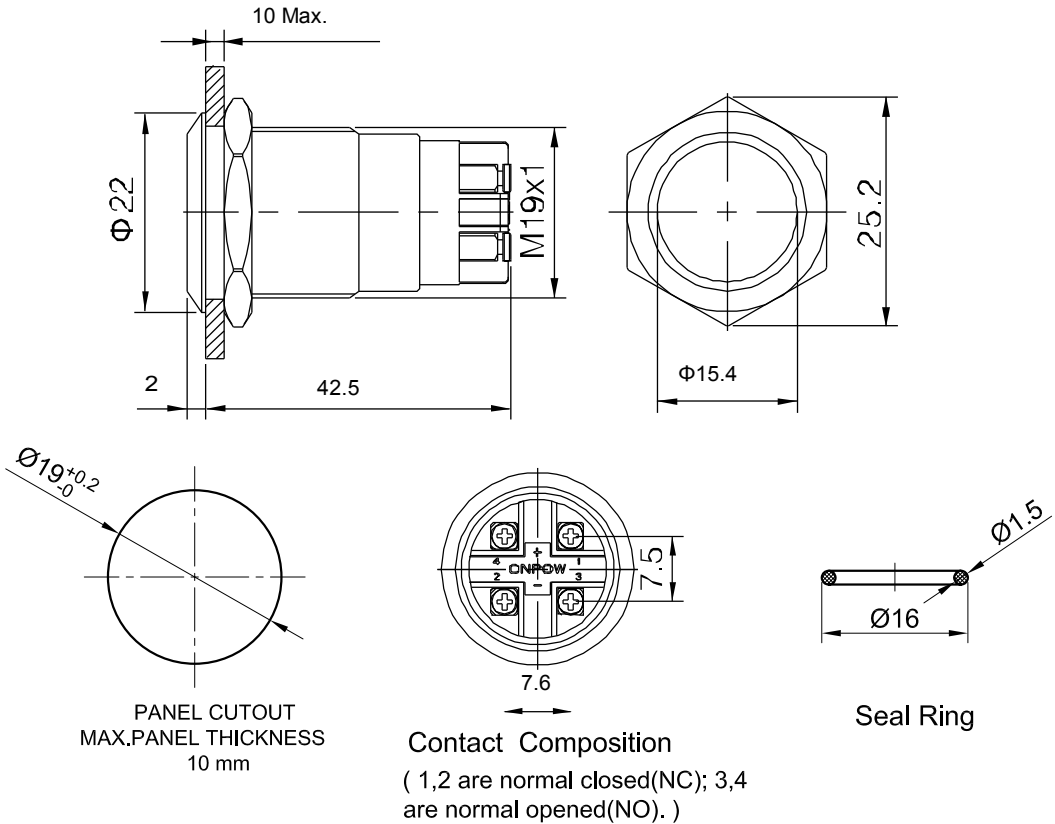


AB-AV-933-N IP65 ANTI-VANDAL PUSH BUTTON

SWITCHES

Specifications	AB-AV-933-N
Terminal type	Screw terminals
Switching	1NO/1NC Latching
Panel cut out	19mm
Switch rating	5A(2) 250VAC / 5A(2) 12/24VDC
Contact resistance	≤50MΩ
Insulation resistance	≥1000MΩ
Dielectric strength	2000VAC
Operating temperature	-25°C~+55°C
Mechanical life	≥1,000,000 cycles
Electrical life	≥50,000 cycles
Panel thickness	1~10mm
Torque	0.8Nm max applied to nut
Operation pressure	4N approx
Operation travel	2.5mm approx
IP degree	IP65
Material: Contact	Silver alloy
Button/Body	Stainless steel
Base	PA/PC
Shock resistance	≥10g



ROHS Compliant



ALAN BUTCHER COMPONENTS LTD

Alan Butcher Components Ltd

Unit 1 Beechwood Clump Farm Industrial Estate Tin Pot Lane Blandford Dorset DT11 7TD

Telephone 01258 456360 Facsimile 01258 459194 Email sales@abcomponents.co.uk

www.abcomponents.co.uk