

20W Wall Plug USB Adapter **multicomp**PRO

**RoHS
Compliant**

MP011417



MP011416



Features

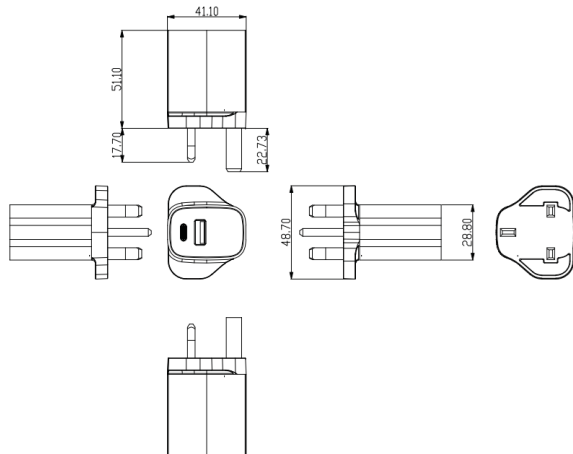
- USB A & Type C Socket
- PD Power USB protocol - auto detect
- **UK** (MP011416) & **EU** (MP011417) Plug Top
- Energy Efficiency Level VI
- Protections: Short circuit & Over current
- Universal Input 90V AC to 264V AC
- Approvals: CE & UKCA

Model	MP011416	MP011417
Output Specifications		
Output Voltage	5V/9V/12V	15V/9V/12V
Output Regulation	±5%	
Output Current	3A/2.22A/1.67A	
Rated Power	20 Watt	
Ripple & Noise	200m Vp-p max	
Output Connector	USB A & USB C Socket	
Input Specifications		
Input Voltage	90V AC to 264V AC	
Frequency Range	50Hz to 60Hz	
Standby Power	0.1W Max	
Leakage Current	0.25A Max	
Input Current	0.8A Max	
Inrush Current	30A Max	
Input Connector	UK or EU	
Environment		
Operating Temp	-0°C to +40°C	
Cooling	Convection	
Temperature Coefficient	-0.05%/°C	
Humidity	5~95%RH (non-condensing)	
Storage Temp	20°C to +60°C	
Safety standards	UL/CUL 62368-1, GS/TUV EN62368-1	
EMC Emissions	EN55032, FCC Part 15 Class B	
Other Specifications		
Size Dimensions	41mm × 51mm × 28.8mm	61mm × 41mm × 28.8mm
Carton Quantity	100	
Weight	0.025Kg	0.025Kg

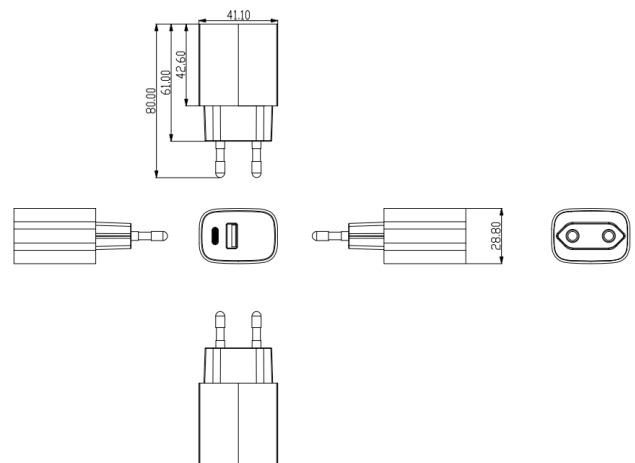
20W Wall Plug USB Adapter **multicomp**PRO

Mechanical Specification

MP011416



MP011417



Dimensions : Millimetres

Part Number Table

Description	Part Number
Wall Plug Adapter, UK Plug, USB Type A&C Socket	MP011416
Wall Plug Adapter, EU Plug, USB Type A&C Socket	MP011417

Important Notice : This data sheet and its contents (the "Information") belong to the members of the AVNET group of companies (the "Group") or are licensed to it. No licence is granted for the use of it other than for information purposes in connection with the products to which it relates. No licence of any intellectual property rights is granted. The Information is subject to change without notice and replaces all data sheets previously supplied. The Information supplied is believed to be accurate but the Group assumes no responsibility for its accuracy or completeness, any error in or omission from it or for any use made of it. Users of this data sheet should check for themselves the Information and the suitability of the products for their purpose and not make any assumptions based on information included or omitted. Liability for loss or damage resulting from any reliance on the Information or use of it (including liability resulting from negligence or where the Group was aware of the possibility of such loss or damage arising) is excluded. This will not operate to limit or restrict the Group's liability for death or personal injury resulting from its negligence. Multicomp Pro is the registered trademark of Premier Farnell Limited 2019.

Newark.com/multicomp-pro
 Farnell.com/multicomp-pro
 sg.element14.com/b/multicomp-pro

multicompPRO