


MC128064B6W-SPTLY-V2	128 x 64	LCD Module
Specification		
Version: 1	Date: 31/10/2016	
Revision		

Display Features			
Resolution	128 x 64		
Appearance	Black on Yellow/Green		
Logic Voltage	5V		
Interface	Parallel		
Font Set	N/A		
Display Mode	Transflective		
LC Type	STN		
Module Size	78.00 x 70.00 x 15.00		
Operating Temperature	-20°C ~ +70°C		
Construction	COB	Box Quantity	Weight / Display
LED Backlight	White	45 pcs	36.11 grams



RoHS
compliant

* - For full design functionality, please use this specification in conjunction with the NT7107 specification. (Provided Separately)

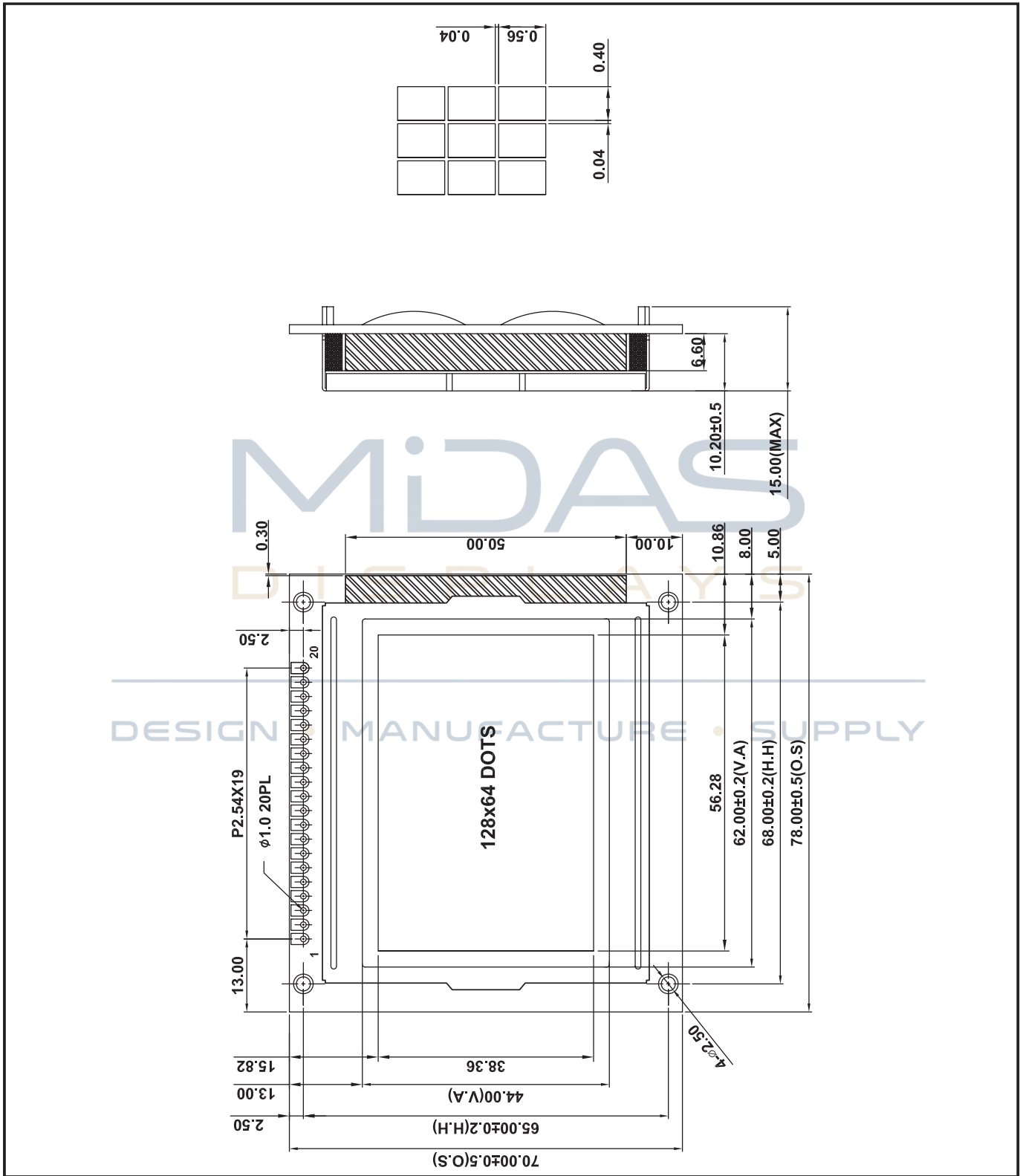
Display Accessories	
Part Number	Description
VBWFD1	USB PIC18F2550 microcontroller board to 20-way Single in-line COB Graphic LCD.

Optional Variants	
Appearances	Voltage
Black on White White on Blue Black on Red Black on Amber	



Mechanical Specifications

Module Size	78.00 x 70.00 x 15.00 (With Backlight)				W x H x D mm
Viewing Area	62.00 x 44.00	W x H mm	Hole-to-Hole	68.00 x 65.00	W x H mm
Dot Size	0.40 x 0.56	W x H mm	Dot Pitch	0.04 x 0.04	W x H mm



MC128064B6W-SPTLY-V2	128 x 64	LCD Module
Specification		
Version: 1	Date: 31/10/2016	
Revision		

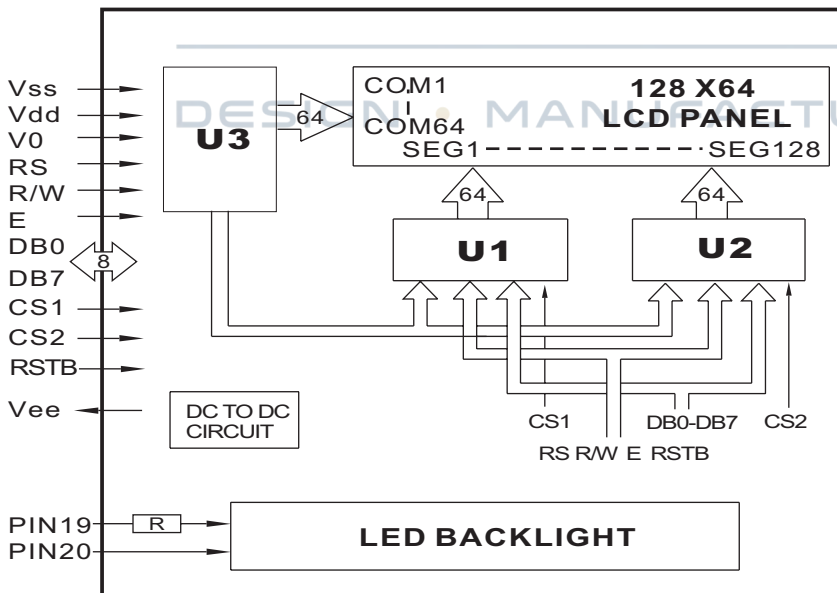


Pin Layout

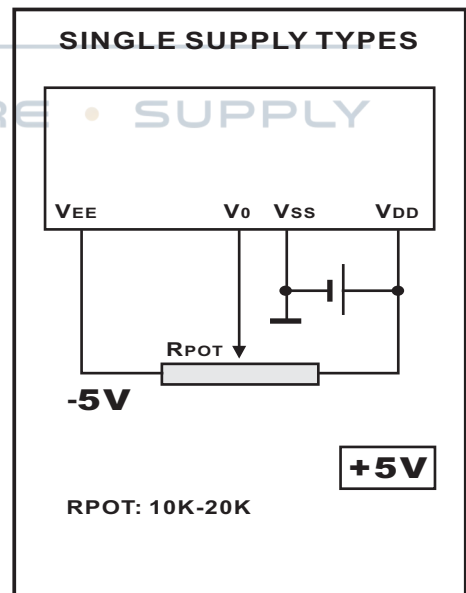
Djb	Gra Vc`	8 YgW]d]h]cb	FYa Uf_g
1	CSA	When CSA=L, CSB=H, Select U2	
2	CSB	When CSB=H,CSA=H, Select U3	
3	Vss	GND	
4	Vdd	Power Supply for LCM	
5	V0	Contrast Adjust	
6	RS	Register Select Signal	
7	R/W	Data Read / Write	
8	E	Enable Signal	
9	DB0	Data bus Line	
10	DB1	Data bus Line	
11	DB2	Data bus Line	
12	DB3	Data bus Line	
13	DB4	Data bus Line	
14	DB5	Data bus Line	
15	DB6	Data bus Line	
16	DB7	Data bus Line	
17	RST	Reset Signal	
18	VEE	Negative Voltage Output	
19	LED+	Power Supply for BKL	5.0V
20	LED-	Power Supply for BKL	0V



Block Diagram



Power Supply Diagram



MC128064B6W-SPTLY-V2	128 x 64	LCD Module
Specification		
Version: 1	Date: 31/10/2016	
Revision		



Absolute Maximum Ratings

Item	Symbol	Condition	Min	Typ	Max	Unit
Power Supply (LOGIC)	Vdd	25°C	-0.3	---	7.0	V
Power Supply (LCD)	V0	25°C	Vdd -19.00	---	Vdd +0.3	V
Input Voltage	Vin	25°C	-0.3	---	Vdd +0.3	V
Operating Temperature	Vopr	---	-20	---	70	C
Storage Temperature	Vstg	---	-30	---	80	C

Electronic Characteristics

Item	Symbol	Condition	Min	Typ	Max	Unit
Input Voltage	Vlcm = Vdd	---	---	5.0	---	V
Supply Current	Idd	Vdd=5V	---	6.0	---	mA
Driving Voltage for LCD Panel	Vlcd = (Vdd - V0)	-20°C	8.40	---	8.80	V
		0°C	---	---	---	
		25°C	8.00	---	8.40	
		50°C	---	---	---	
		70°C	7.80	---	8.40	

LCD Characteristics

For STN/FSTN LCD Panel Types						
Item	Symbol	Condition	Min	Typ	Max	Unit
Viewing Angle	$\Phi 2 - \Phi 1$	K = 4	40°	---	---	Deg
	Θ		60°			
Contrast Ratio	K	---	---	10	---	---
Response Time (Rise)	TR	---	---	150	250	ms
Response Time (Fall)	TF	---	---	150	250	ms

LED Characteristics

Item	Symbol	Condition	Min	Typ	Max	Unit
LED Forward Voltage	Vf	25°C If=10mA	---	3.0	---	V
LED Forward Current*	If	25°C	---	10	---	mA
LED Reverse Current	Ir	25°C Vr=5.0V	---	---	30	μA
LED Peak Wave Length	λp	25°C If=10mA	569	---	575	nm
LED Brightness (Without LCD)	Lv	25°C If=10mA	---	135	---	cd/m ²
LED Brightness Uniformity	Lvmin/Lvmax	25°C If=10mA	70	---	---	Ratio
LED Life Time	---	25°C If=10mA	20K	---	---	Hours

Attention: It is constant current, not constant voltage, which should be applied when driving the LED backlight, please ensure you adhere to this rule.

MC128064B6W-SPTLY-V2	128 x 64	LCD Module				
Specification						
Version: 1			Date: 31/10/2016			
Revision						
Page 4 of 4						