

Han 16Mod Docking Frame Moveable, Set

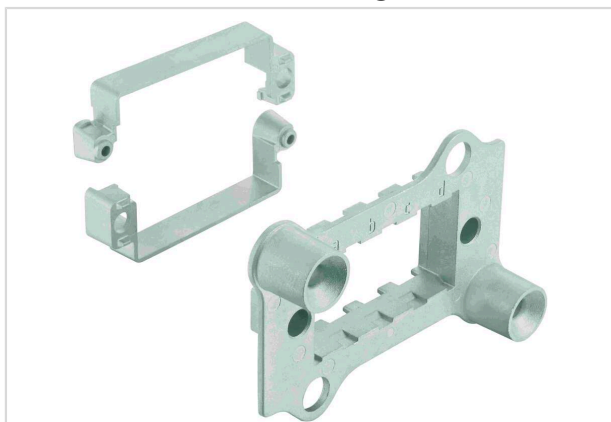


Image is for illustration purposes only. Please refer to product description.

Part number	09 14 016 1706
Specification	Han 16Mod Docking Frame Moveable, Set
HARTING eCatalogue	https://b2b.harting.com/09140161706

Identification

Category	Accessories
Series	Han-Modular®
Type of accessory	Docking frame
Description of the accessory	Float mount for 4 modules a ... f
Features	The docking frame has no PE contact as it is not required in many drawer system applications. Suitable for Han-Modular® modules except for Han® Megabit module, Han® RJ45 module, optical and pneumatic modules.

Version

Details	Please use float washer 09140009936 for float mounting.
Details	Rated voltage ≤630 V Rated impulse voltage ≤6 kV Pollution degree 2 For a complete connector the specified voltage rating is the maximum level which can be achieved. In cases where the used module(s) do offer lower voltage ratings, then these lower ratings are valid. Higher voltage ratings in individual applications can be approved in coordination with HARTING.

Technical characteristics

Limiting temperature	-40 ... +125 °C
Mating cycles	≥500
Mating cycles with other HMC components	≥10,000
Floating tolerance	±2 mm



Pushing Performance
Since 1945

Technical characteristics

Lock-in range	±4 mm
---------------	-------

Material properties

Material	Zinc die-cast
RoHS	compliant
ELV status	compliant
China RoHS	e
REACH Annex XVII substances	Not contained
REACH ANNEX XIV substances	Not contained
REACH SVHC substances	Not contained
California Proposition 65 substances	Yes
California Proposition 65 substances	Lead Nickel

Specifications and approvals

Specifications	IEC 60664-1 IEC 61984
----------------	--------------------------

Commercial data

Packaging size	1
Net weight	234.5 g
Country of origin	China
European customs tariff number	85389099
GTIN	5713140194571
ETIM	EC002312
eCl@ss	27440206 Module carrier frame for industrial connectors