



418 •

**Xdream** small case

## Functionality "to the X degree"

The X-dream small case offers maximum functionality. The solid aluminium extrusion case body forms the extremely stable basis of the case.

# Xdream



Sample configuration



This patented construction offers extra space uncommon to most small cases.

Integrated dovetail guides allow the adapter rails to be moved into different positions, which allows standard-format cards or different size electronics to be installed.

When used with seals and front panels (see accessories), the stylish frame provides maximum protection against exterior influences (up to IP 66 degree of protection). Base feet or customised mounting equipment can be fit into the practical mounting grooves on the underside of the case.

The X-dream small case series can also be fit or retrofitted with a prop-up and carrying handle.

### **Xdream** small case

- high protection system: IP 66
- all standard-size cards (100, 120, 160, 190 to 233.35mm) can be installed in one case
- adapter rails allow you to customise your installation
- sturdy design
- adjustable depths
- stackable
- integrated mounting grooves
- functional accessories
- prop-up and carrying handle optional
- favourable EMC characteristics



## Specifications

### Application:

Basic case for electronics and other standard-sized cards.

### Construction:

Solid aluminium extrusion enclosed by a plastic frame on the front and rear

### Finish:

RAL 7035 light grey  
Frame: black

### Material:

Aluminium extrusion  
Frame: plastic, flammability tested acc. to UL 94 V-0

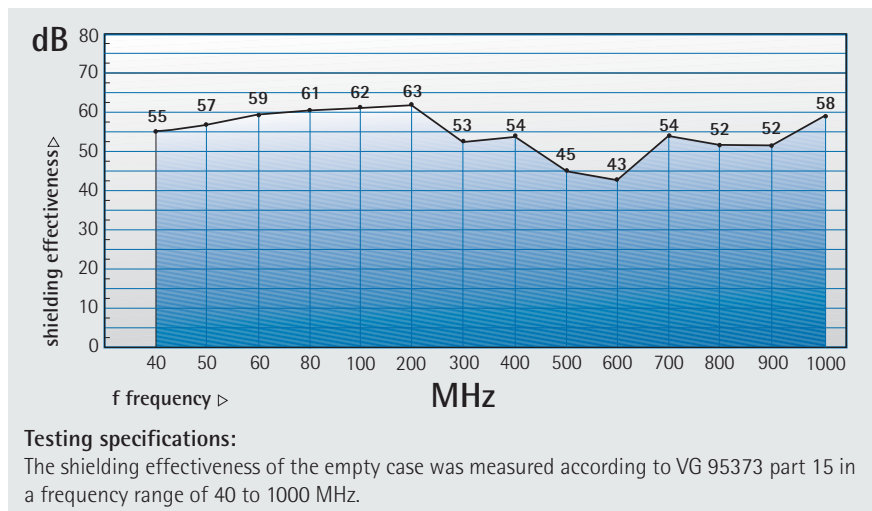
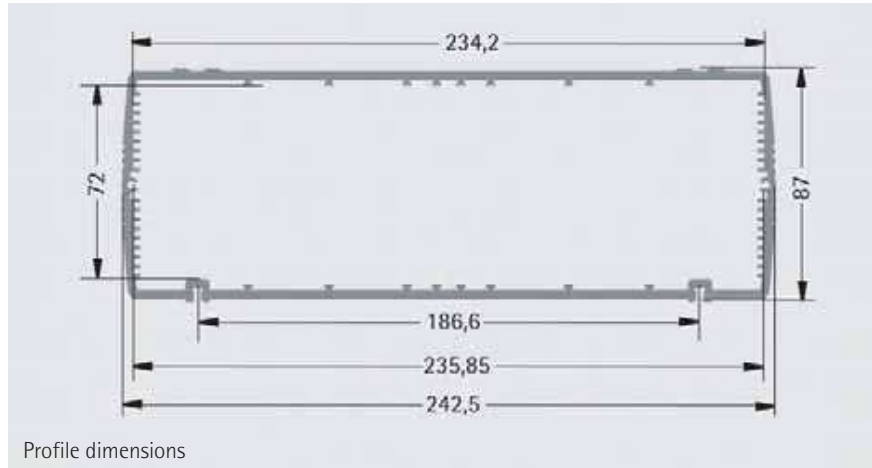
### Protection system: IP 66\*

(Configuration: solid back and front panel, frame seal IP 66, without handle)

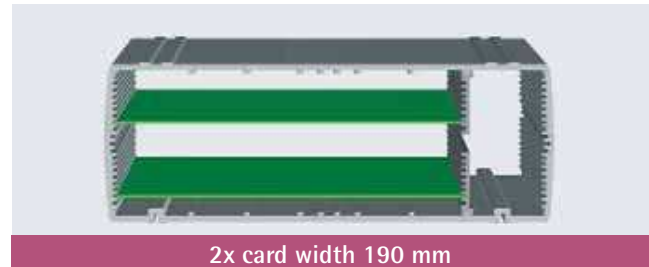
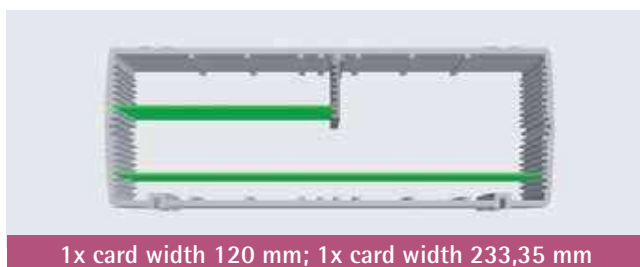
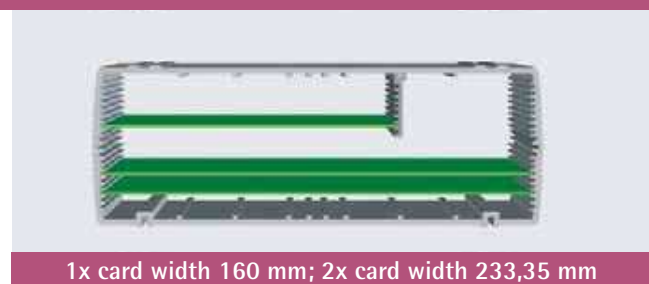
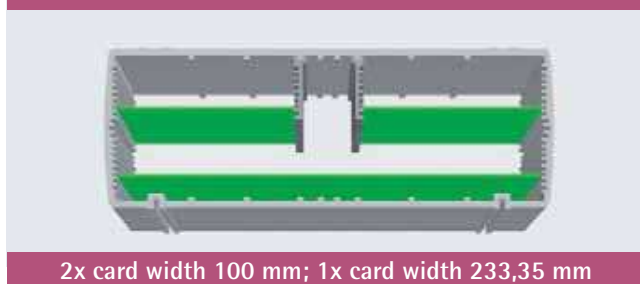
Delivery: not assembled

## Shielding effectiveness of EMC version:

Average values, calculated from measurement results of an independent institution



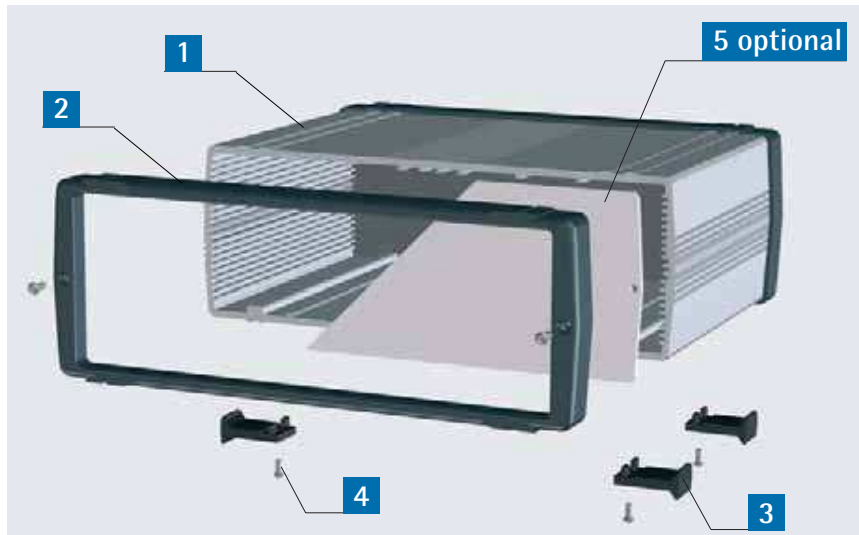
## Possible combinations



More combinations are possible.



## Order information



Description	For card depth d mm	Part no.
Small case, D=180 mm	160	41-8001-60
Small case, D=180 mm with handle	160	41-8001-65
Small case, D=240 mm	220	41-8002-20
Small case, D=240 mm with handle	220	41-8002-25

## Included in delivery

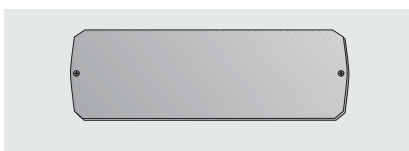
Item	Pc.	Description
1	1	Aluminium extrusion
2	2	Plastic frame
3	4	Stacking feet
4		Assembly material
	(1)	Prop-up and carrying handle (without fig.)

**Customisation on request!**

Individually machined, silk screened or with keyboard foils equipped front panels are available on request! Individual machining on request!

## Accessories

## 5 Front panel / rear panel



**Material:** Aluminium 2,5 mm  
**Finish:** exterior: anodized, interior: transparent chromated

**Part no. (1 piece)**  
41-8004-00

## Frame seal IP 66

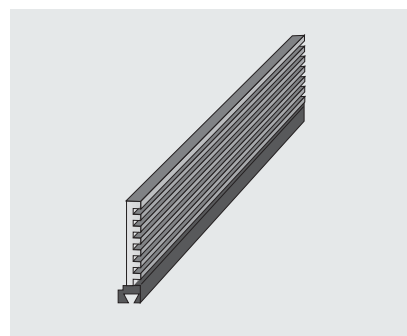


- self-adhesive, for adhering to front or rear panel
- necessary for achieving IP 66

**Material:** Cellular rubber

**Part no. (1 piece)**  
41-8006-02

## Adapter rail



- for integration of cards in different widths
- fits in the case's dovetail guides
- with special sliding surface

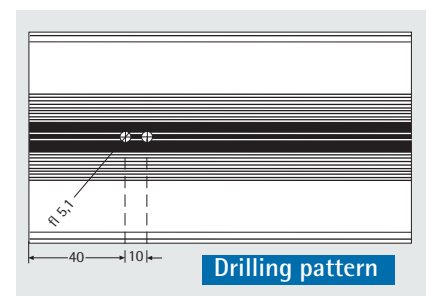
**Card depth d = 160 mm**  
41-8003-16

**Card depth d = 220 mm**  
41-8003-22

## Prop-up and carrying handle



- for retrofitting
- incl. assembly material



**Drilling pattern**

**Part no.**  
61-5060-03