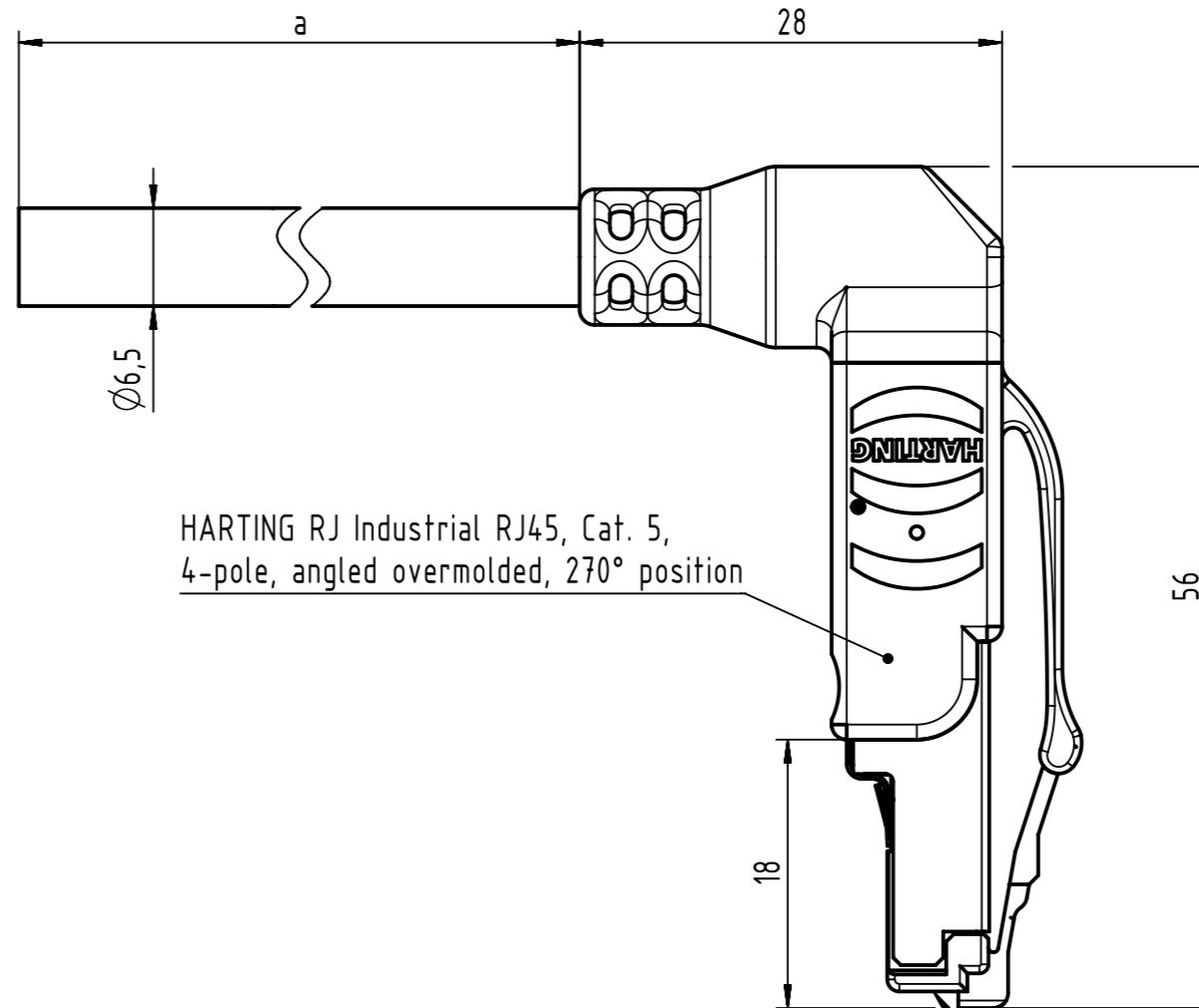
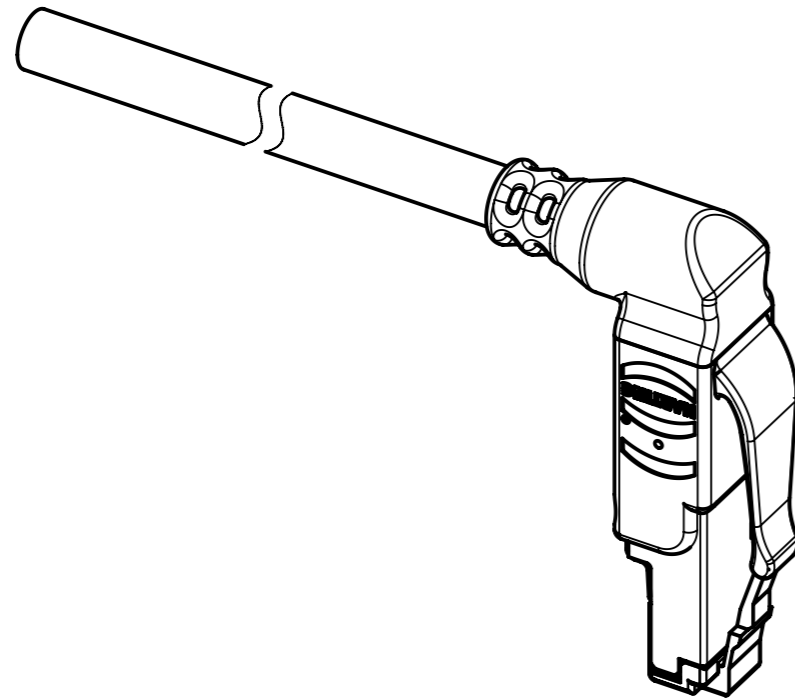


Connector Location A

Connector Location B

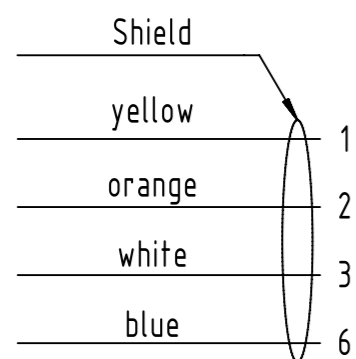


HARTING RJ Industrial RJ45, Cat. 5,  
4-pole, angled overmolded, 270° position

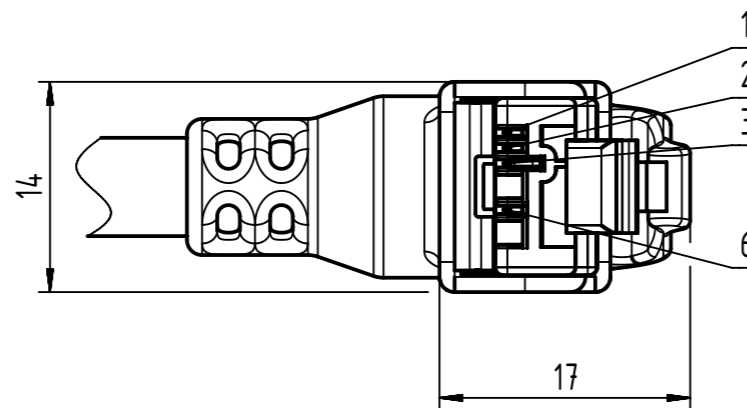
Mating face RJ45 acc. to IEC 60603-7



Loading Plan

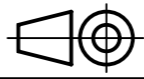



X  
male



- Protection level: IP20
- Temperature range: -40°C ... +70°C

	All rights reserved		Created by COSTEA Costea		Inspected by STOCHECIC Stocheci		Standardisation MUNTEANV Muntean		Date 2019-05-22		State Final Release	
	Department HCS - RO		Title RJ Industrial Cable Assembly		Doc-Key / ECM-Nr. 100155463/UGD/015/D 500000153138		Rev. D		Page 1/2			
HARTING Customised Solutions D-32339 Espelkamp			Type TB		Number 09470300XXX							

1	2	3	4	5	6	7	8	
A								
	48	09470300048	RJI Ethernet Trailing Cable, 4xAWG 22/7, PUR, Cat. 5+, green	2	91	09470300088	RJI Ethernet Stranded Cable, 4xAWG 22/7, PVC outdoor, Cat. 5+, black	100
	47	09470300047		1.5	90	09470300087		90
	46	09470300046		1	89	09470300086		80
	45	09470300045		0.5	88	09470300085		70
	44	09470300044		100	87	09470300084		60
B	43	09470300043	90	86	09470300083	50		
	42	09470300042	80	85	09470300082	40		
	41	09470300041	70	84	09470300081	30		
	40	09470300040	60	83	09470300080	20		
	39	09470300039	50	82	09470300079	15		
	38	09470300038	40	81	09470300078	10		
	37	09470300037	30	80	09470300077	9		
	36	09470300036	20	79	09470300076	8		
	35	09470300035	15	78	09470300075	7		
	34	09470300034	10	77	09470300074	6		
	33	09470300033	9	76	09470300073	5		
	32	09470300032	8	75	09470300072	4		
C	31	09470300031	7	74	09470300071	3		
	30	09470300030	6	73	09470300070	2		
	29	09470300029	5	72	09470300069	1.5		
	28	09470300028	4	71	09470300068	1		
	27	09470300027	3	70	09470300067	0.5		
	26	09470300026	2	69	09470300066	100	RJI Ethernet Trailing Cable, 4xAWG 22/7, PUR, Cat. 5+, green	
	25	09470300025	1.5	68	09470300065	90		
	24	09470300024	1	67	09470300064	80		
	23	09470300023	0.5	66	09470300063	75		
	22	09470300022	100	65	09470300062	70		
D	21	09470300021	90	64	09470300061	60		
	20	09470300020	80	63	09470300060	50		
	19	09470300019	70	62	09470300059	40		
	18	09470300018	60	61	09470300058	35		
	17	09470300017	50	60	09470300057	30		
	16	09470300016	40	59	09470300056	25		
	15	09470300015	30	58	09470300055	20		
	14	09470300014	20	57	09470300054	15		
	13	09470300013	15	56	09470300053	10		
	12	09470300012	10	55	09470300052	9		
E	11	09470300011	9	54	09470300051	8		
	10	09470300010	8	53	09470300050	7		
	9	09470300009	7	52	09470300049	6		
	8	09470300008	6	51	09470300048	5		
	7	09470300007	5	50	09470300047	4		
	6	09470300006	4	49	09470300046	3		
	5	09470300005	3					
	4	09470300004	2					
	3	09470300003	1.5					
	2	09470300002	1					
	1	09470300001	0.5					
F								
	Cont. no.	Part no.	Type of cable	Dim. a[m]	Cont. no.	Part no.	Type of cable	Dim. a[m]
					 All Dimensions in mm		Tech. Character. Free size tol. According to production drawing	
					 All rights reserved		Created by COSTEA Costea Inspected by STOCEVIC Stoceci Standardisation MUNTEANV Muntean Date 2019-05-22 State Final Release	
					Department HCS - RO		Title RJ Industrial Cable Assembly	
					HARTING Customised Solutions		Doc-Key / ECM-Nr. 100155463/UGD/015/D 500000153138	
					D-32339 Espelkamp		Type TB Number 09470300XXX	
							Rev. D Page 2/2	