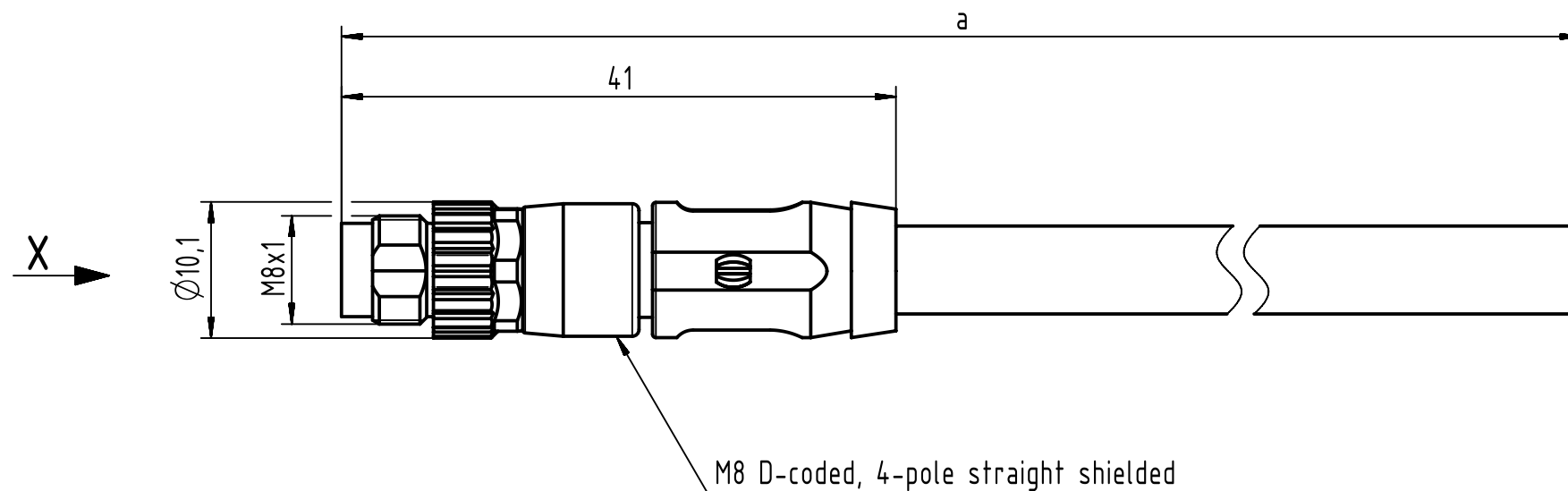
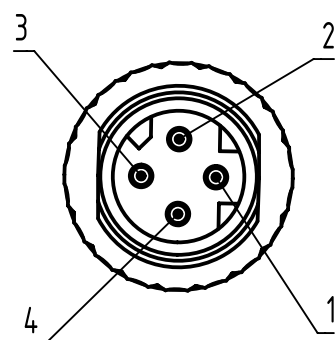


Connector Location A

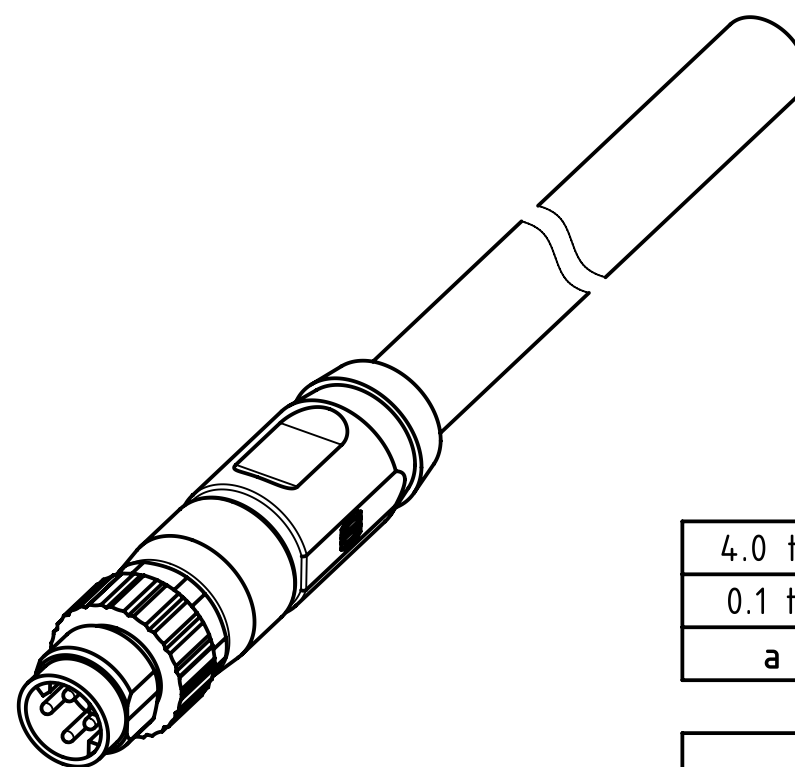
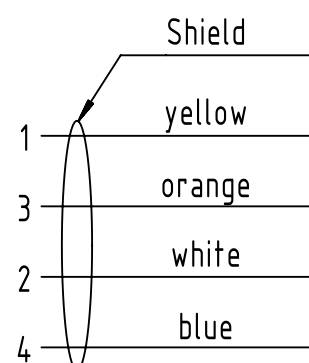
Connector Location B



X
male



Loading-Plan:



- Protection level: IP67
- Temperature range: -30°C ... +80°C

length in "1m" step	100	XXX=000
	99	XXX=990
	.	.
	12	XXX=120
	11	XXX=110
length in "0.1m" step	10	XXX=100
	9.9	XXX=099
	9.8	XXX=098
	.	.
	0.4	XXX=004
	0.3	XXX=003
	0.2	XXX=002
	0.1	XXX=001
Step	a [m]	XXX

4.0 to 100	±1%
0.1 to 3.9	+0.04
a [m]	Tolerance

Part no.	2134C7004XXXXXX
----------	-----------------

Type of cable	XX
PVC, green, 4xAWG22/7	XX=05
PUR, green, 2x2xAWG22/7	XX=77

	All rights reserved	Created by	Inspected by	Standardisation	Date	State	
	Department HCS - RO	COSTEA	STOCHECIC	MUNTEANV	2018-09-28	Final Release	
HARTING Customised Solutions		Title				Doc-Key / ECM-Nr.	
D-32339 Espelkamp		M8 Cable Assembly D-cod st/- m/-				100705789/UGD/000/B 500000140779	
		Type	Number	Rev.		Page	
		TB	2134C7004XXXXXX	B		1/1	