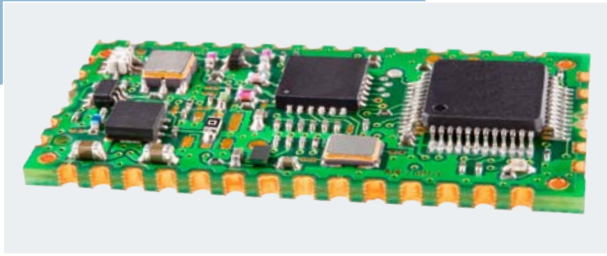


TWIMO HP868

RF module - 500mW - 869.525MHz



ARF HP868, the Long-Range RF modules, part of **TWIMO** family, the new range of ADEUNIS RF's Wireless modules.

HP868

High-Power RF module (500mW) with embedded **STM32 ARM Cortex-M3** micro-controller.

The **API library** of the **TWIMO HP868** provides a large set of radio transmission modes and functions, allowing a wide number of services and features for customer applications.

Available in «**Ready-to-use**» or **programmable** version, this module uses **license-free frequencies** and offers an **extremely robust wireless link**, up to **6000m**.

The **TWIMO HP868** modules have been certified by a notified organization as being **compliant** with the 2010 version of the **RTTE European Directive EN300-220** radio standard.

Part numbers

ARF7581AA **TWIMO** Module HP868-RTU – 500mW – 869,525Mhz
ARF7736AA **TWIMO** Module HP868-API – 500mW – 869,525Mhz

OTHER TWIMO MODULES

ARF7580AA **TWIMO** Module MP868-RTU – 50mW – 863 - 870MHz
ARF7735AA **TWIMO** Module MP868-API – 50mW – 863 - 870MHz

ARF7864AA **TWIMO** HP868 Extension board pack for Starter Kit
ARF7865AA **TWIMO** MP868 Extension board pack for Starter Kit

Technical specifications

Hardware Information

Interfaces: UART (x3), I²C (x2), SPI (x2)

A/D & D/A converters

PWM timers

Dimension: 16 x 32mm

Operating voltage: 3-3.6V

Operating temperature: -40°C to +85°C

Consumption (Sleep): 20µA

Consumption (RX): 30mA

Consumption (TX): 600mA (27dBm)

LED status indicator

Micro-controller: STM32 ARM Cortex-M3

RF chip: Semtech SX1231

Mounting: SMD

Software & provided APIs

Synchronous (TDMA)

Asynchronous

Transparent mode

Addressed mode

Repeater mode (to be released)

Low Power mode

Secure mode

Serial bootloader

Wireless Interface

RF pin

Frequency: 869.525MHz

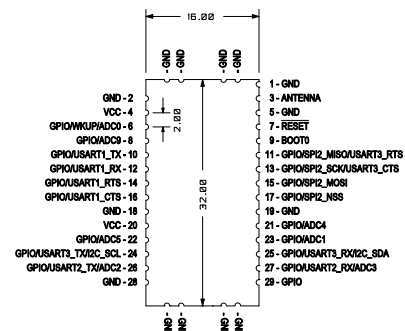
Modulation: GFSK

RF data rate: 10/38.4/57.6 kbps

RF output power: up to 27dBm

RF sensitivity: -110dBm

Pin configuration & Dimensions



TWIMO HP Modules