



Main

Range of product	Modicon X80
Product or component type	Multifunction input module

Complementary

Function available	Hot swap
Data recording	1 ms time stamps
Time synchronisation protocol	DCF77 IRIG-B
Group of channels	4 groups of 4 inputs for process input
[Us] rated supply voltage	24 V DC (voltage range: 19...30 V) 48...60 V DC (voltage range: 38...75 V) 110...125 V DC (voltage range: 88...156 V)
Switching voltage	125 V at 1.3 mA for process input 110 V at 1.3 mA for process input 60 V at 2.5 mA for process input 48 V at 2.5 mA for process input 24 V at 6.7 mA for process input
Maximum power consumption in W	4 W for process input
Current consumption	30 mA at 24 V DC 130 mA at 3.3 V DC
Isolation voltage	2500 V DC for 60 s bus to discrete input 1400 V DC for 60 s bus to IRIG/DCF 2500 V DC for 60 s discrete input to IRIG/DCF
Anti bounce filtering	Configurable from 0 to 255 ms
Sampling duration	0.5 ms
Acquisition time	1 ms
Local signalling	1 LED (green) for firmware and module run (RUN) 1 LED (green) for status of time code input (T) 1 LED (red) for module fault (ERR) 1 LED (red) for power supply interruption (I/O) 16 LEDs for input status (0...15)
Width	32 mm
Height	100 mm
Depth	86 mm

Environment

Ambient air temperature for operation	-25...70 °C
Ambient air temperature for storage	-40...85 °C
Relative humidity	95 % without condensation
Operating altitude	<= 4000 m
Directives	2014/35/EU - low voltage directive 2014/30/EU - electromagnetic compatibility

Product certifications	CE RCM CSA EAC Merchant Navy UL
Standards	EN/IEC 61010-2-201 EN/IEC 61131-2 UL 61010-2-201 CSA C22.2 No 61010-2-201
Environmental characteristic	Gas resistant class Gx Gas resistant class 3C4 Dust resistant class 3S4 Sand resistant class 3S4 Salt resistant level 2 Mold growth resistant class 3B2 Fungal spore resistant class 3B2

Packing Units

Unit Type of Package 1	PCE
Number of Units in Package 1	1
Package 1 Weight	153.0 g
Package 1 Height	5.5 cm
Package 1 width	11.0 cm
Package 1 Length	11.7 cm
Unit Type of Package 2	S02
Number of Units in Package 2	15
Package 2 Weight	2.6 kg
Package 2 Height	15.0 cm
Package 2 width	30.0 cm
Package 2 Length	40.0 cm

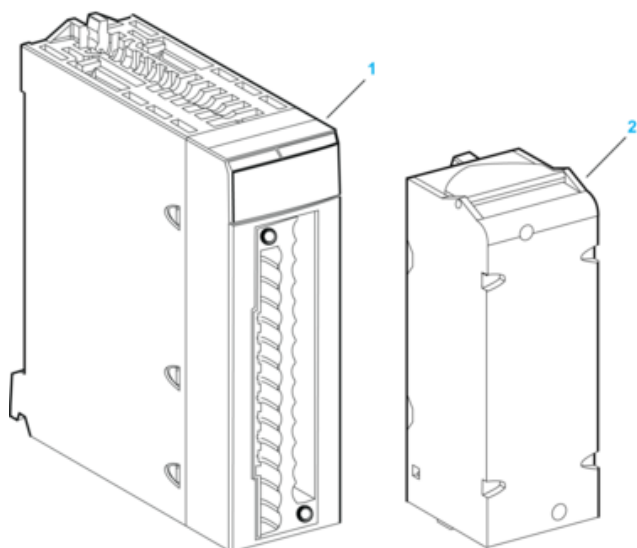
Offer Sustainability

Sustainable offer status	Green Premium product
REACH Regulation	REACH Declaration
REACH free of SVHC	Yes
EU RoHS Directive	Pro-active compliance (Product out of EU RoHS legal scope) EU RoHS Declaration
Mercury free	Yes
RoHS exemption information	Yes
China RoHS Regulation	China RoHS Declaration
Environmental Disclosure	Product Environmental Profile
Circularity Profile	End Of Life Information
WEEE	The product must be disposed on European Union markets following specific waste collection and never end up in rubbish bins

Contractual warranty

Warranty	18 months
----------	-----------

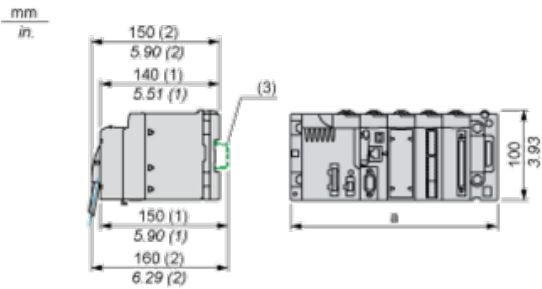
Presentation



- 1 : Module
- 2 : 28-pin removable terminal block (provided separately)

Modules Mounted on Racks

Dimensions



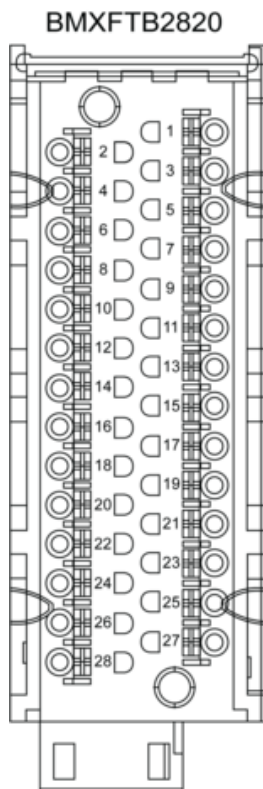
(1) With removable terminal block (cage, screw or spring).

(2) With FCN connector.

(3) On AM1 ED rail: 35 mm wide, 15 mm deep. Only possible with BMXXBP0400/0400H/0600/0600H/0800/0800H rack.

Rack references	a in mm	a in in.
BMXXBP0400 and BMXXBP0400H	242.4	09.54
BMXXBP0600 and BMXXBP0600H	307.6	12.11
BMXXBP0800 and BMXXBP0800H	372.8	14.68
BMXXBP1200 and BMXXBP1200H	503.2	19.81

Wiring Diagram



Definition	Pin Number		Definition
DCF_IN	2	1	IRIG+
DCF_COM	4	3	IRIG-
Not Connected	6	5	Not Connected
I1	8	7	I0
I3	10	9	I2
I5	12	11	I4
I7	14	13	I6
I9	16	15	I8
I11	18	17	I10
I13	20	19	I12
I15	22	21	I14
Not Connected	24	23	Not Connected
UB+	26	25	0 Vdc
UB+	28	27	0 Vdc

