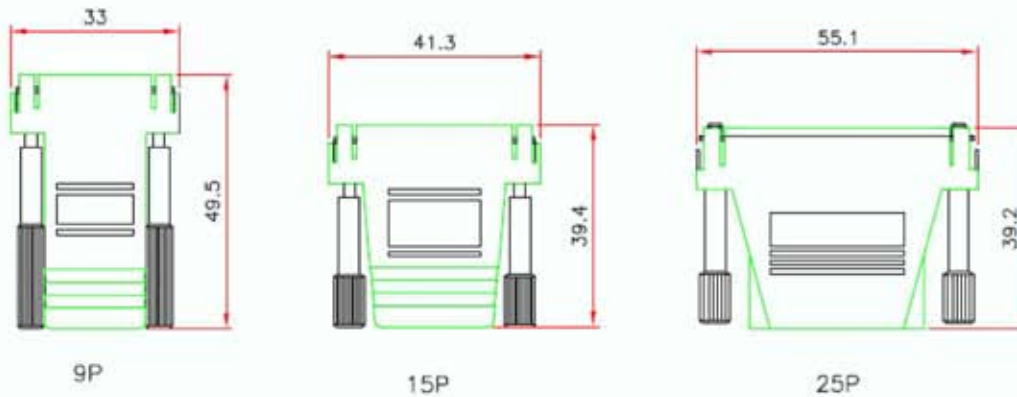


No.	Changes and/or Note No.	Date	Intr.	No.	Changes and/or Note No.	Date	Intr.



SPECIFICATION

MATERIAL

Insulator: P.B.T. & Glass fill reinforced UL94V-0
 Contacts: Brass(standard), Phosphor Bronze(choose)
 Shell: Steel
 Rivet, Board: Brass

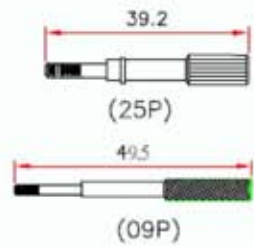
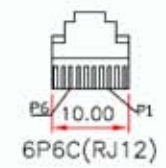
CONTACT PLATING

Underplate: 50um Nickel
 Contact area: 1 um ~30um Selective Gold
 Solder tails area: 100um Tin/Lead

ELECTRICAL

Operation voltage 250 VAC max.
 Current rating: 3 Amps max.
 Contact resistance: 15 m Ohms max.
 Insulation resistance: 3000 M Ohms min @ 500 VDC
 Dielectric withstanding voltage: 1000 VAC/ minute
 Operating temperature: -55°C to +105°C

Size	Part number	Description
9-ways	2112-0100-01	DA09-SMJ6-K-RC
15-ways	2112-0100-02	DA15-SMJ6-K
25-ways	2112-0100-03	DA25-SMJ6-K



A=LONG SCREWS

****ROHS****

DATE 19/11/2012	DRAWN	SCALE	MATERIAL TYPE
	APPROVED		REPLACES
Female Sub-D to RJ12 (6P6C) Black			DRAWING No 2112-0100-0X