

HOMECLICK METAL MINI 5/300

180 x 80 x 30 cm* (70.9"x31.5"x11.8")

Color

5 Años Garantía
Years Guarantee
Jahre Garantie
Anos de Garantía
SIMONRACK

180 cm (70.9")

30 cm (11.8")

80 cm (31.5")

150 kg
(350 lb)

150 kg
(350 lb)

150 kg
(350 lb)

150 kg
(350 lb)

150 kg
(350 lb)



*MEDIDAS EN USO • USED MEASUREMENTS
MASSNAHMEN IM EINSATZ • MESURES EN EMPLOI:
1804 x 804 x 304 mm (71.02"x 31.65"x 11.97")



ESTANTERIAS SIMON S.L. B.50.556.463
PG. ALFAMEN C/ POLIGONO C, Nº3
ALFAMEN (ZARAGOZA)

Simon
Rack
SINCE 1964 - MANUFACTURER

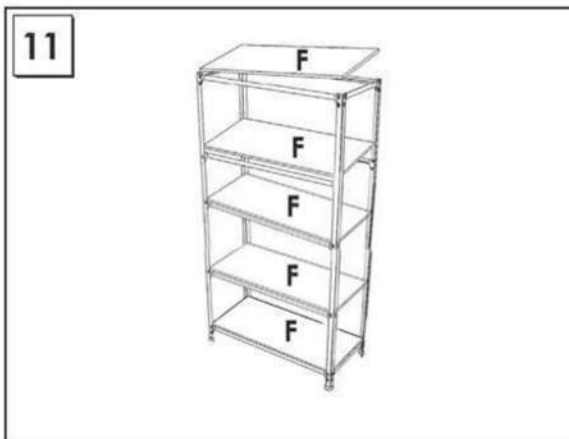
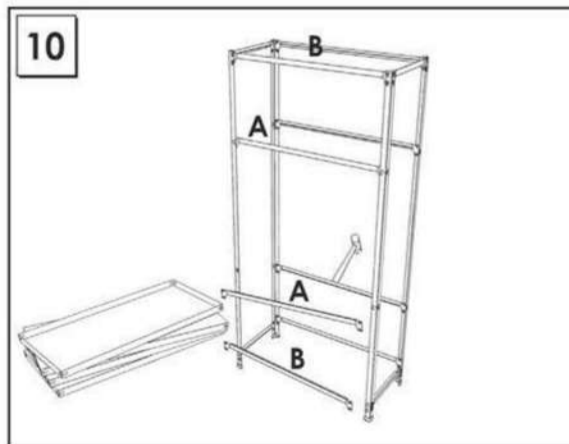
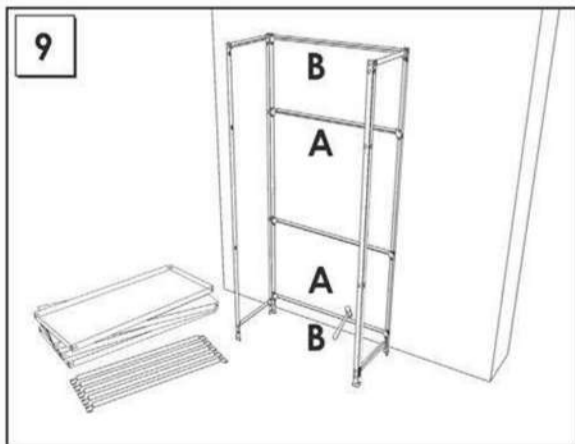
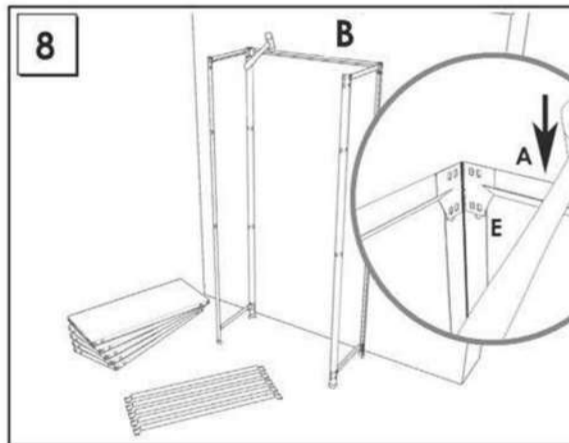
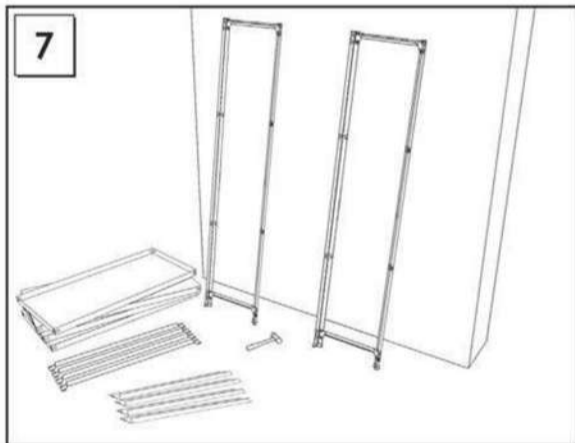
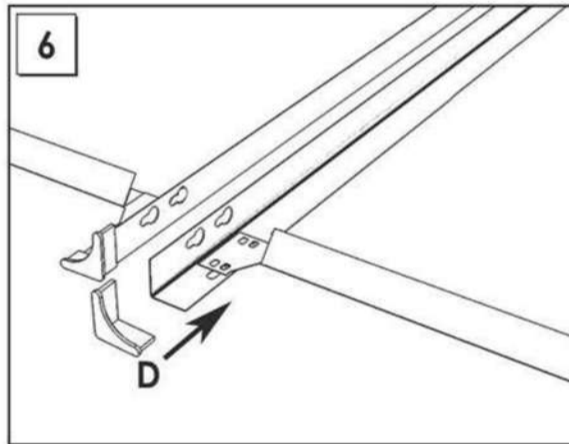
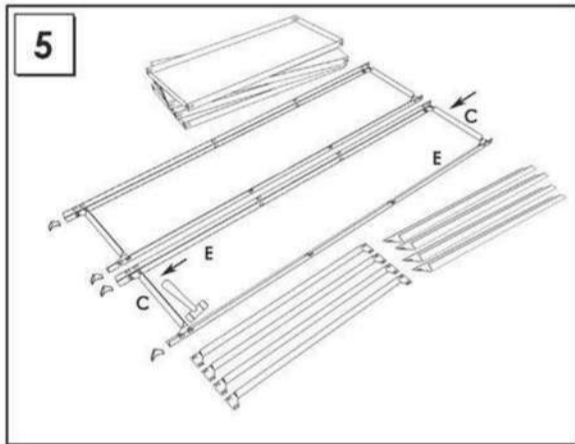
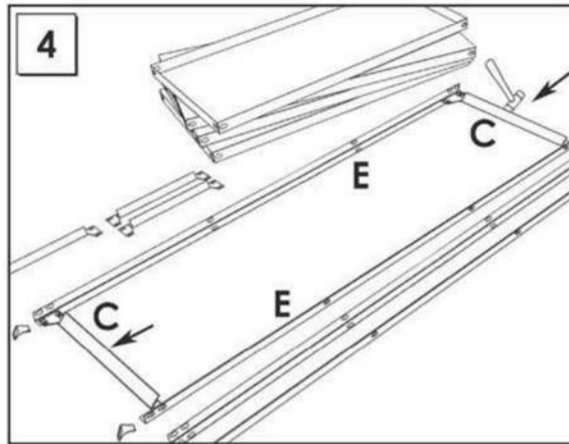
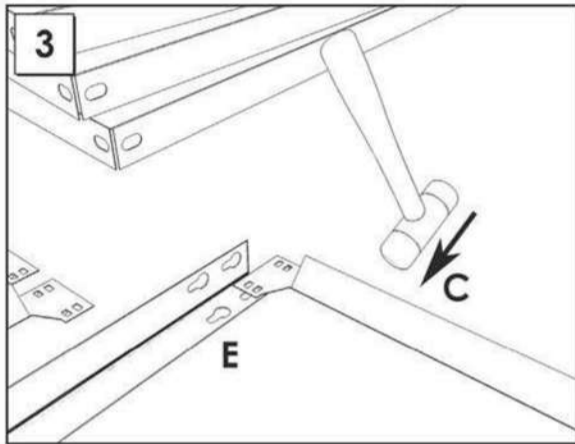
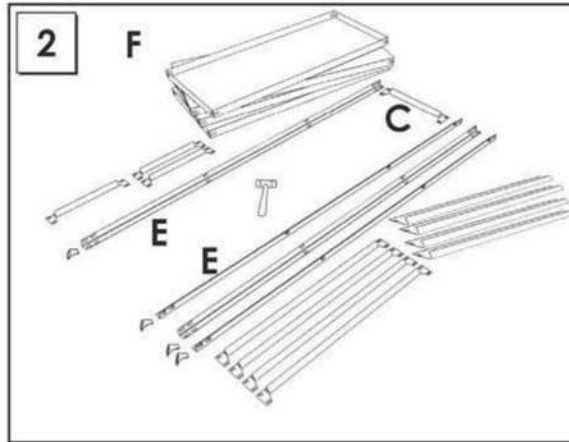
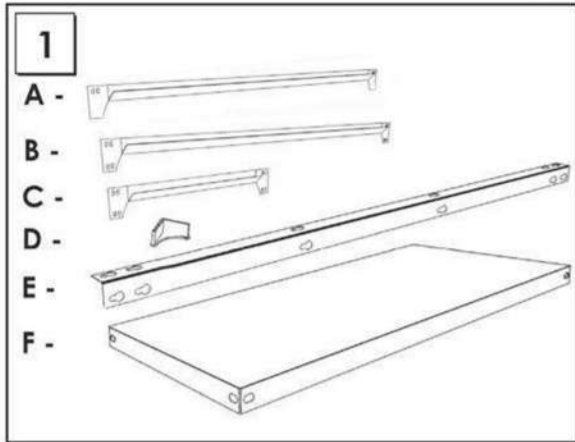


www.simonrack.com



INSTRUCCIONES
INSTRUCTIONS
ANLEITUNG
INSTRUCTIONS

STANDARD MOUNTING



SIMONCLASSIC



SIMONCLICK



SIMONTALLER



SIMONAUTO



SIMONWORK



SIMONLOCKER



SIMONOFFICE



SIMONHOME



SIMONGARDEN



SIMONTITÁN



SIMONINOX



SIMONINDUSTRIAL

SIMONPALET



SIMONLEVER



ALTILLOS Y PASILLOS ELEVADOS
PLATFORMS AND MEZZANINES
LAGERBUHLEN • PLATES-FORMES ET MEZZANINES



* Kg / lb por bandeja con carga uniformemente repartida
Kg / lb per shelf uniformly distributed load
Kg / lb pro fach bei gleichmäßig verteilter Last
Kg / lb par plateau avec charge uniformément répartie