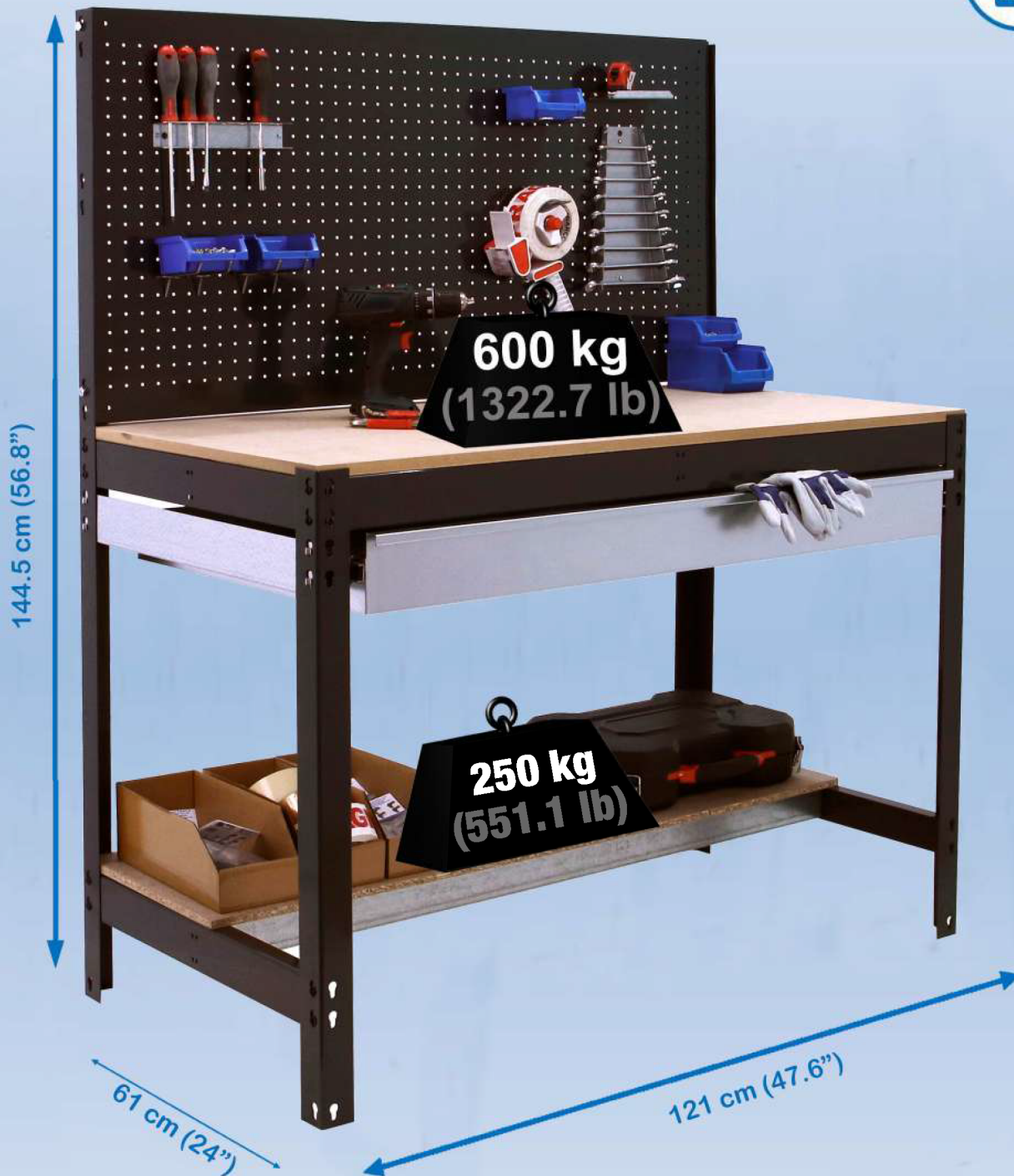


# SIMONWORK BT2 BOX 1200

**144.5 x 121 x 61 cm**  
**59.2" x 47.6" x 24.0"**



- 1 x 120 x 60 cm (47.2" x 23.6")
- 2 x 84 cm (33.1")  
2 x 144 cm (56.7")
- 3 x 120 cm (47.2")  
4 x 60 cm (23.6")
- 1 x 35 kg (80 lb)  
56 x 120 cm (22" x 47.2")
- 2 x 60 cm (23.6")
- 1 x MDF 120 x 60 cm (47.2" x 23.6")  
1 x 120 x 35 cm (47.2" x 13.8")
- 1 x 120 cm (47.2")  
60 cm (23.6")
- 4 x [Hardware]
- 2 x 60 cm (22.8")  
10 x [Hardware]



ESTANTERIAS SIMON S.L. B.50.556.463  
 PG. ALFAMEN C/ POLIGONO C. Nº3  
 ALFAMEN (ZARAGOZA)



**Simon Rack**  
 SINCE 1964 - MANUFACTURER



[www.simonrack.com](http://www.simonrack.com)



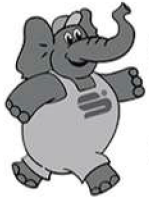
INSTRUCCIONES  
 INSTRUCTIONS  
 ANLEITUNG  
 INSTRUCTIONS





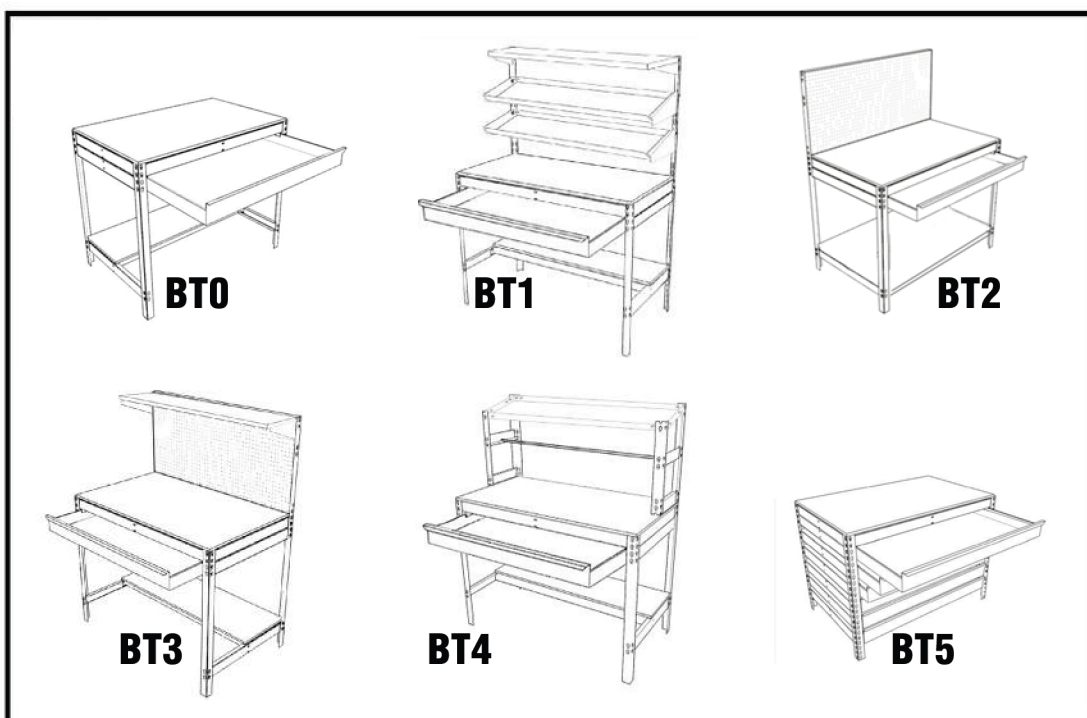
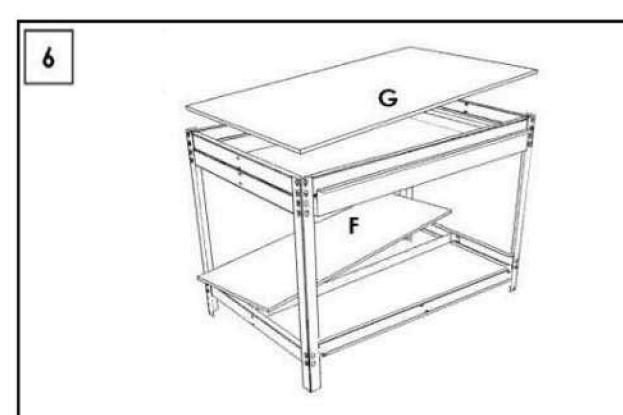
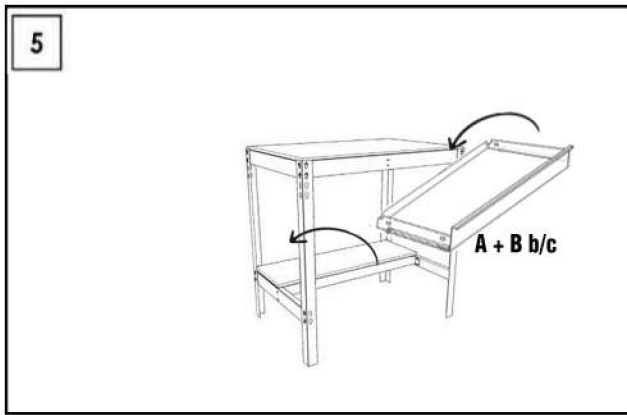
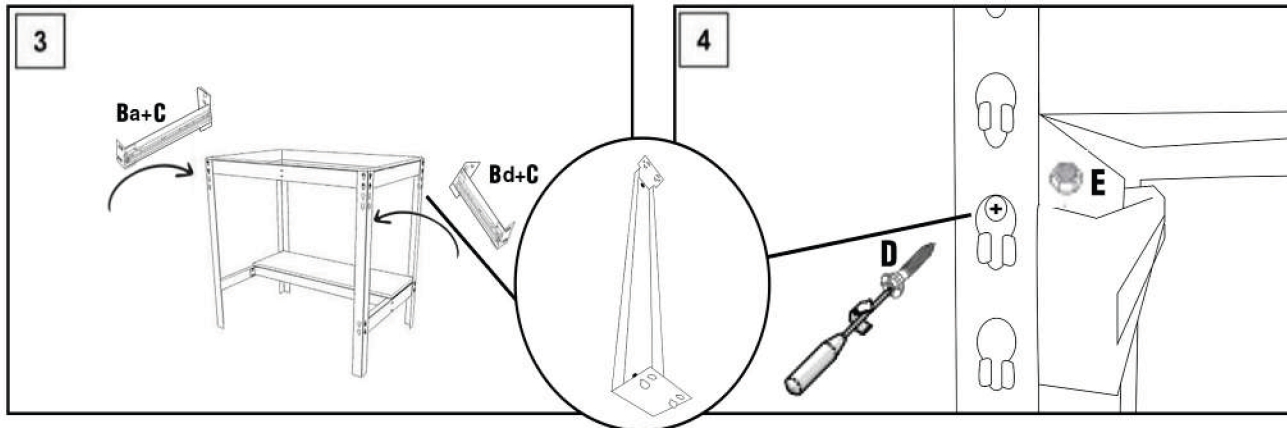
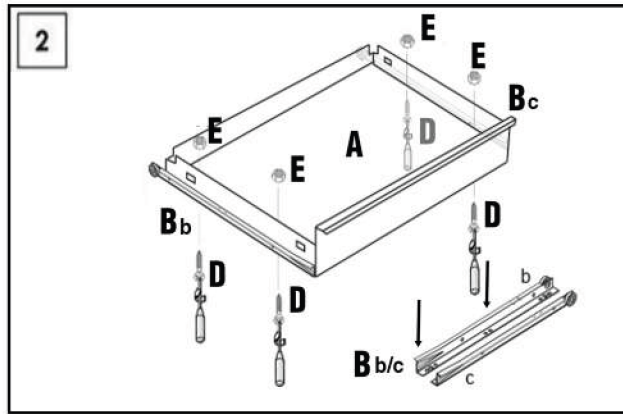
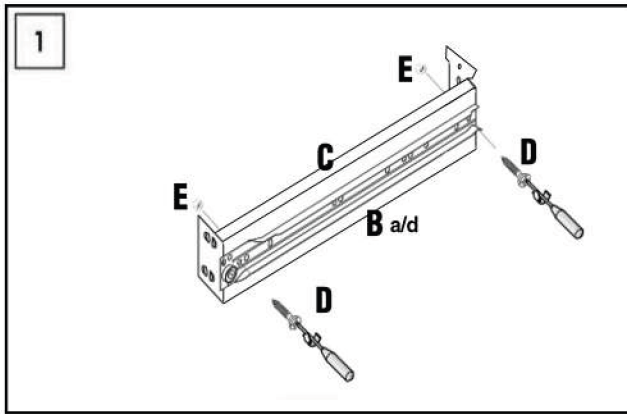
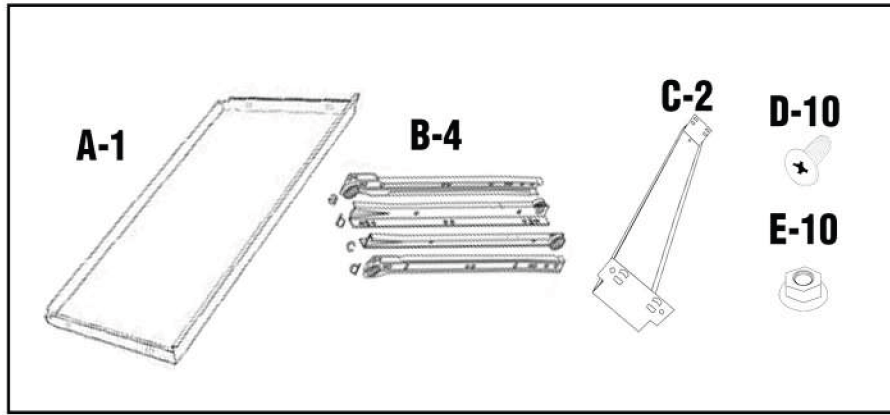






**Simon Rack**  
SINCE 1964 - MANUFACTURER

# BOX BT0-BT5



**SIMONCLASSIC**  
150 kg / 330 lb

**SIMONCLICK**  
400 kg / 900 lb

**SIMONTALLER**  
700 kg / 1550 lb

**SIMONAUTO**  
300 kg / 660 lb

**SIMONWORK**  
800 kg / 1800 lb

**SIMONLOCKER**

**SIMONOFFICE**  
275 kg / 600 lb

**SIMONHOME**  
150 kg / 330 lb

**SIMONGARDEN**  
600 kg / 1350 lb

**SIMONTITÁN**     **SIMONINOX**

**SIMONINDUSTRIAL**  
SIMONPALET     SIMONLEVER  
4500 kg / 9950 lb

ALTILLOS Y PASILLOS ELEVADOS  
PLATFORMS AND MEZZANINES  
LAGERBÜHNEN • PLATES-FORMES ET MEZZANINES

www.simonrack.com • www.simonrack.com • www.simonrack.com • www.simonrack.com • www.simonrack.com • www.simonrack.com • www.simonrack.com • www.simonrack.com • www.simonrack.com • www.simonrack.com



\* Kg / lb per bandeja con carga uniformemente repartida  
Kg / lb per shelf uniformly distributed load  
Kg / lb pro fach bei gleichmäßig verteilter last  
Kg / lb par plateau avec charge uniformément répartie