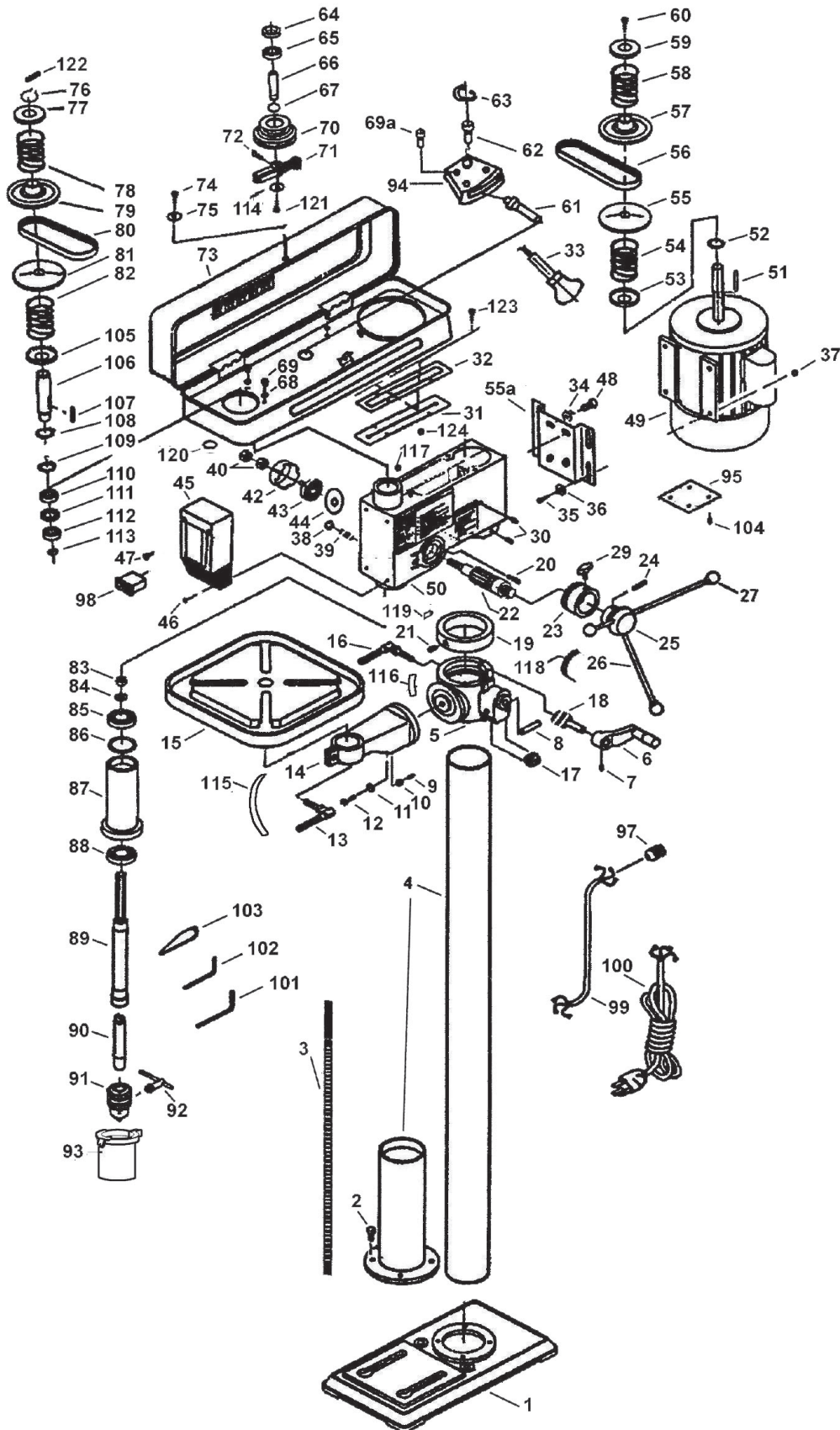


Parts Information:
**Pillar Drill Floor Variable Speed 1630mm
 Height 650W/230V
 Model No: GDM200F/VS**



NOTE: It is our policy to continually improve products and as such we reserve the right to alter data, specifications and component parts without prior notice.

IMPORTANT: No liability is accepted for incorrect use of product.

WARRANTY: Guarantee is 12 months from purchase date, proof of which will be required for any claim.



Parts Information:
**Pillar Drill Floor Variable Speed 1630mm
 Height 650W/230V
 Model No: GDM200F/VS**

Item	Part No.	Description
1	GDM200FX/001	Base
2	SS1035.S	Hex Head Set Screw M10x35mm Single
3	GDM200FX/003	Rack
4	GDM200FX/004	Column
5	GDM200FX/005	Table Arm Bracket
6	GDM92B/12	Handle
7	GSM610.S	Grub Screw M6x10 (Single)
8	GDM200FX/008	Shaft
9	GDM92B/80	Pin
10	SN6.S	Steel Nut M6 Zinc Din934 (Single)
11	FWM16.S	Flat Washer M16 Single
12	GDM1630FR/17	Bolt M16x40
13	GDM92B/15A	Table Bolt
14	GDM200FX/014	Table Arm
15	GDM160FX/015	Table
16	GDM160FX/016	Clamp Bolt
17	GDM200FX/017	Gear 14T 31.9mm Dia x 18.2mm Thick
18	GDM200FX/018	Worm Gear
19	GDM200FX/019	Rack Ring
20	GDM160FX/020	Spring Pin M6.4 x 20
21	GSM625.S	Grub Screw M6x25 (Single)
22	GDM200FX/022	Feed Shaft
23	GDM200FX/023	Scale Ring
24	GDM160FX/028	Roll pin
25	GDM150BVS.025	Handle Body
26	GDM200FX/026	Handle
27	GDM200FX/027	Knob
29	GDM92B/29	Clamp Bolt
30	GDM160FX/030	Set Screw
31	GDM150BVS.031	Seal
32	GDM150BVS.032	Seal Plate
33	GDM150BVS.033	Clamp Handle
34	GDM150BVS.034	Washer
35	SS830.S	Hex Head Set Screw M8x30mm Single
36	GDM92B/56	Washer
37	SN8.S	Steel Nut M8 Zinc Din934 (Single)
38	SN10.S	Steel Nut M10 Zinc Din934 (Single)
39	GDM160FX/039	Set Screw
40	GDM92B/47	M12 x 1.5 Fine Pitch Half Nut
42	GDM160FX/042	Spring Cap
43	GDM160FX/043	Torsion Spring
44	GDM160FX/044	Spring Cover

Item	Part No.	Description
45	GDM150BVS.045	Switch Box
46	GDM150BVS.046	Screw
47	GDM150BVS.047	Screw
48	SS1035.S	Hex Head Set Screw M10x35mm Single
49	GDM150BVS.049	Motor (External 230V 50Hz)
50	GDM150BVS.050	Body
51	GDM150BVS.051	Key
52	GDM150BVS.052	C-Ring
53	GDM150BVS.053	Spring Cap
54	GDM150BVS.054	Spring
55	GDM150BVS.055	Pulley Set
55A	GDM150BVS.55A	Motor Base
56	GDM150BVS.056	V-Belt (Id-685)
57	GDM150BVS.055	Pulley Set
58	GDM150BVS.058	Spring
59	GDM150BVS.059	Spring Cap
60	GDM200FVS.060	Pulley Set Screw
61	GDM150BVS.061	Collar
62	GDM150BVS.062	Shaft
63	GDM150BVS.063	C-Clip
64	GDM150BVS.064	Ball Bearing
65	B/6202-2RS	Bearing 6202-2RS
66	GDM150BVS.066	Centre Shaft
67	GDM150BVS.067	C-Clip
68	FWM6.S	Flat Washer M6 Single
69	MSP610.S	Machine Screw Pan Head Phillips M6x10mm (Single)
69A	GDM150BVS.69A	Skt. Hd Bolt M6X18
70	GDM150BVS.070	Centre Pulley
71	GDM150BVS.071	Speed Bar Seat
72	GDM150BVS.072	Screw
73	GDM150BVS.073	Pulley Cover
74	GDM50BX/017	Phillips Bolt M5x12
75	GDM150BVS.075	Washer
76	GDM150BVS.076	C-Clip
77	GDM150BVS.077	Spring Cap
78	GDM150BVS.078	Spring
79	GDM150BVS.079	Pulley
80	V/M22	V-Belt (Id-560) M22
81	GDM150BVS.081	Pulley
82	GDM150BVS.082	Spring

NOTE: It is our policy to continually improve products and as such we reserve the right to alter data, specifications and component parts without prior notice.

IMPORTANT: No liability is accepted for incorrect use of product.

WARRANTY: Guarantee is 12 months from purchase date, proof of which will be required for any claim.

Sealey Group, Kempson Way, Suffolk Business Park, Bury St Edmunds, Suffolk. IP32 7AR



01284 757500



01284 703534



sales@sealey.co.uk



www.sealey.co.uk



Parts Information:
Pillar Drill Floor Variable Speed 1630mm
Height 650W/230V
Model No: GDM200F/VS

Item	Part No.	Description
83	GDM200FX/083	Nut
84	GDM200FX/084	Washer
85	B/6203-2RS	Bearing 6203-2RS
86	GDM200FX/086	Rubber Washer
87	GDM200FX/087	Spindle Sleeve
88	B/6205-2RS	Bearing 6205-2RS
89	GDM200FX/089	Spindle
90	GDM200FX/090	Arbor
91	GDM92B/20	Chuck B16
92	GDM92B/44	Chuck Key
93	DPG99	Drill Press Guard 60mm
94	GDM150BVS.094	Centre Pulley Base
95	GDM200FX.095	Cover
97	GDM150BVS.097	Grommet
98	SM1311.66	Switch
99	GDM150BVS.099	Motor Cable
100	GDM150BVS.100	Power Cable Ass'y
101	GDM150BVS.101	Wrench
102	GDM150BVS.102	Wrench
103	GDM150BVS.103	Wedge
104	GDM200FX.104A	Screw for Cover

Item	Part No.	Description
105	GDM150BVS.105	Spring Cap
106	GDM150BVS.106	Shaft Sleeve
107	GDM150BVS.107	Key
108	GDM150BVS.108	C-Clip
109	GDM150BVS.109	C-Clip
110	GDM150BVS.110	Ball Bearing
111	GDM150BVS.111	Collar
112	GDM150BVS.112	Ball Bearing
113	GDM150BVS.113	C-Clip
114	GDM200FX.114	Washer
115	GDM200FX.115	Angle Scale
116	GDM200FX.116	Zero Scale
117	GDM200FX.117	Washer
118	GDM200FX.118	Depth Scale
119	GDM200FX.119	Pointer
120	GDM200FX.120	Washer
121	GDM200FX.121	Bolt
122	GDM200FX.122	Pin
123	GDM200FX.123	Screw
124	GDM200FX.124	Hex Nut

NOTE: It is our policy to continually improve products and as such we reserve the right to alter data, specifications and component parts without prior notice.

IMPORTANT: No liability is accepted for incorrect use of product.

WARRANTY: Guarantee is 12 months from purchase date, proof of which will be required for any claim.

Sealey Group, Kempson Way, Suffolk Business Park, Bury St Edmunds, Suffolk. IP32 7AR



01284 757500



01284 703534



sales@sealey.co.uk



www.sealey.co.uk