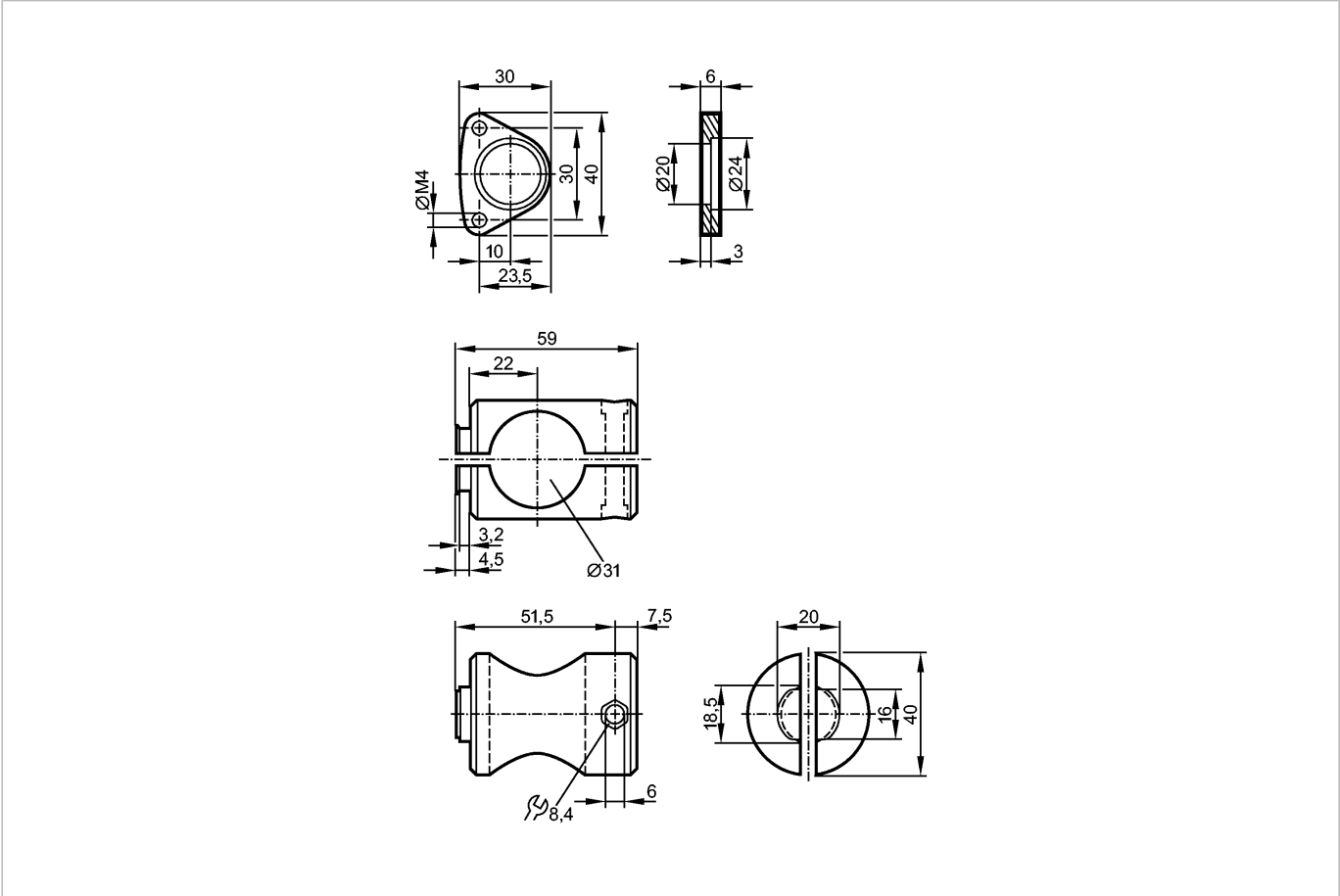


MOUNTING SET O1D 30MM

Accessories



Product characteristics

Mounting set

Clamp mounting

Mechanical data

Design

Housing materials

Type of mounting

Weight [kg]

Accessories

Accessories (included)

Remarks

Pack quantity [piece]

	for types O1D
	fixture: stainless steel 316Ti / 1.4571; clamp: aluminium transparent anodised; screws: stainless steel; nut: high-grade stainless steel
	Rod mounting Ø 30 mm
	0.158
	2 socket head screws M4 x 45
	1