

## OMRON CONTACTOR SUPPRESSOR

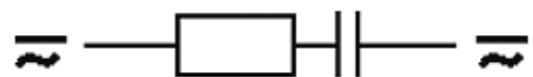
RC, 24VAC/DC

24 V AC/DC  
RC

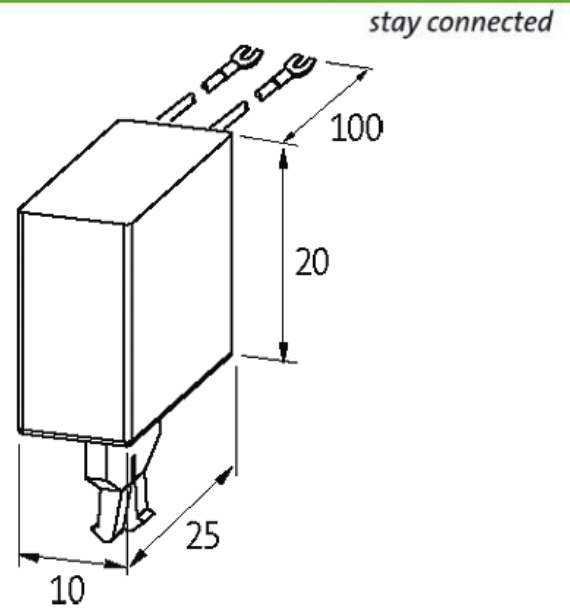
For other configurations and voltages, please inquire

[Link to Product](#)

### Illustration



RC



Product may differ from Image

### Appropriate contactors

J7KN-10...70

### Technical Data

Damping factor	approx. 1.5 × UN
Material	Flame retardant plastic acc. to (UL 94)
Connection wires	self-securing cable forks

### General data

Dimensions H × W × D	20×25×10 mm
Temperature range	-20...+70 °C

### Commercial data

country of origin	CZ
customs tariff number	85363010
minimum order quantity	1