

Features

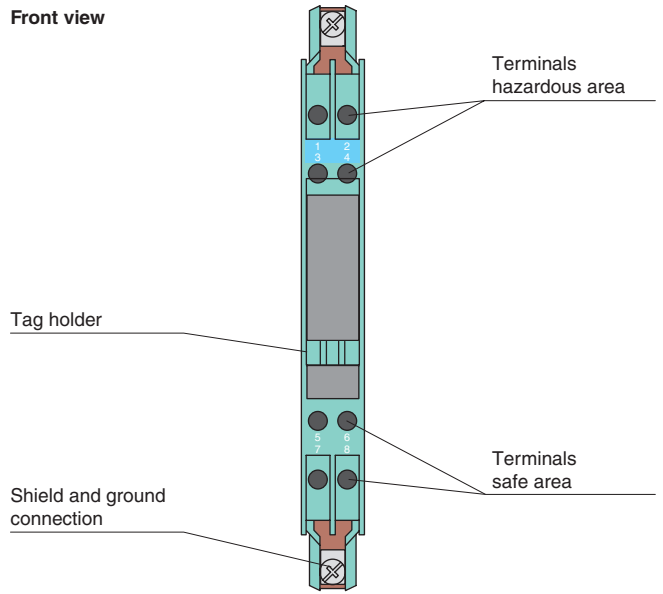
- 1-channel
- AC version
- Working voltage 13 V at 10 μ A
- Series resistance max. 107 Ω
- Fuse rating 100 mA
- DIN rail mounting

Function

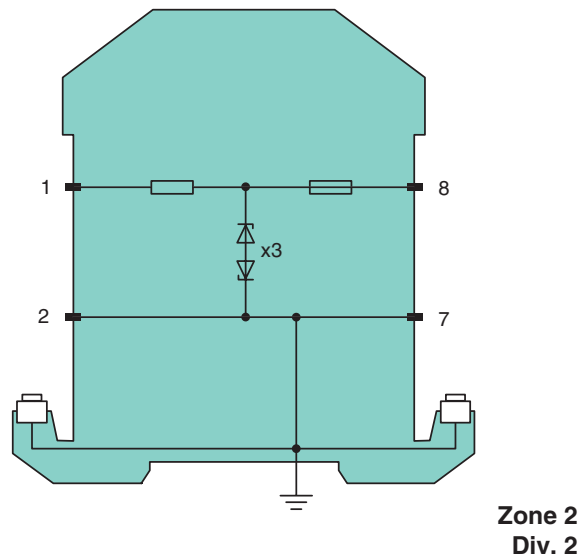
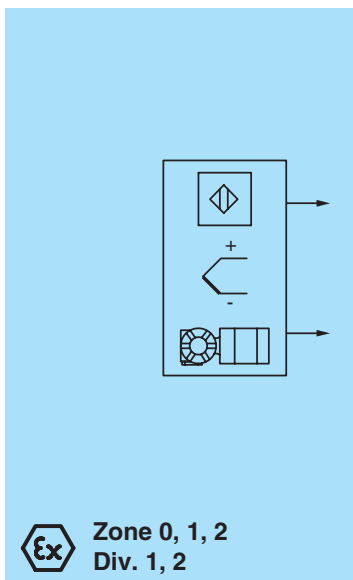
The Zener Barrier prevents the transfer of unacceptably high energy from the safe area into the hazardous area.

The zener diodes in the Zener Barrier are connected in the reverse direction. The breakdown voltage of the diodes is not exceeded in normal operation. If this voltage is exceeded, due to a fault in the safe area, the diodes start to conduct, causing the fuse to blow. The Zener Barrier has alternating polarities, i. e. interconnected zener diodes are employed and one side is grounded. The Zener Barrier can be used for both alternating voltage signals and direct voltage signals.

Assembly



Connection



Release date 2014-11-04 10:22 Date of issue 2015-02-16 0711778_eng.xml

Refer to "General Notes Relating to Pepperl+Fuchs Product Information".

General specifications	
Type	AC version
Electrical specifications	
Nominal resistance	100 Ω
Series resistance	max. 107 Ω
Fuse rating	100 mA
Hazardous area connection	
Connection	terminals 1, 2
Safe area connection	
Connection	terminals 7, 8
Working voltage	max. 13.6 V , 13 V at 10 μA
Conformity	
Degree of protection	IEC 60529
Ambient conditions	
Ambient temperature	-20 ... 60 °C (-4 ... 140 °F)
Storage temperature	-25 ... 70 °C (-13 ... 158 °F)
Relative humidity	max. 75 % , without moisture condensation
Mechanical specifications	
Degree of protection	IP20
Connection	self-opening connection terminals, max. core cross-section 2 x 2.5 mm ²
Mass	approx. 150 g
Dimensions	12.5 x 115 x 110 mm (0.5 x 4.5 x 4.3 in)
Construction type	modular terminal housing , see system description
Mounting	on 35 mm DIN mounting rail acc. to EN 60715:2001
Data for application in connection with Ex-areas	
EC-Type Examination Certificate	BAS 01 ATEX 7005 , for additional certificates see www.pepperl-fuchs.com
Group, category, type of protection	⊕ II (1)GD, I (M1) [Ex ia Ga] IIC, [Ex ia Da] IIIC, [Ex ia Ma] I (-20 °C ≤ T _{amb} ≤ 60 °C) [circuit(s) in zone 0/1/2]
Voltage U _o	15 V
Current I _o	153 mA
Power P _o	570 mW
Supply	
Maximum safe voltage U _m	250 V
Series resistance	min. 98 Ω
Permissible connection values [EEx ia]	
Statement of conformity	TÜV 99 ATEX 1484 X , observe statement of conformity
Group, category, type of protection, temperature class	⊕ II 3G Ex nA IIC T4 Gc [device in zone 2]
Directive conformity	
Directive 94/9/EC	EN 60079-0:2012, EN 60079-11:2012 , EN 60079-15:2010
International approvals	
FM approval	
Control drawing	116-0118
UL approval	
Control drawing	116-0139
CSA approval	
Control drawing	116-0119
IECEX approval	
	IECEX BAS 09.0142
Approved for	
	[Ex ia Ga] IIC, [Ex ia Da] IIIC, [Ex ia Ma] I
General information	
Supplementary information	EC-Type Examination Certificate, Statement of Conformity, Declaration of Conformity, Attestation of Conformity and instructions have to be observed where applicable. For information see www.pepperl-fuchs.com.

Release date 2014-11-04 10:22 Date of issue 2015-02-16 071778_eng.xml

Refer to "General Notes Relating to Pepperl+Fuchs Product Information".

Pepperl+Fuchs Group
www.pepperl-fuchs.com

USA: +1 330 486 0002
pa-info@us.pepperl-fuchs.com

Germany: +49 621 776 2222
pa-info@de.pepperl-fuchs.com

Singapore: +65 6779 9091
pa-info@sg.pepperl-fuchs.com