



Model number

VAA-LT2-G1

Illuminated pushbutton module

Features

- AS-Interface certificate
- Protection degree IP67
- Flat or round cable connection (via standardized EMS base, not included with delivery)
- Cable piercing method for flat cable
- 2 integrated illuminated pushbuttons
- Variable colors

Function

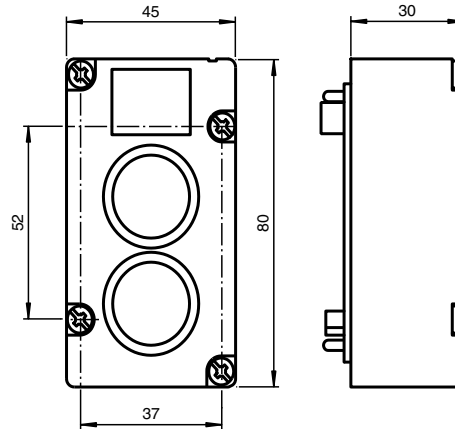
The illuminated pushbutton module VAA-LT2-G1 provides a link between the operating personnel and the AS-Interface master. The current status can be displayed by means of the LEDs integrated in the pushbuttons.

The illuminated pushbutton has IP67 protection and is therefore suitable particularly for use in the field.

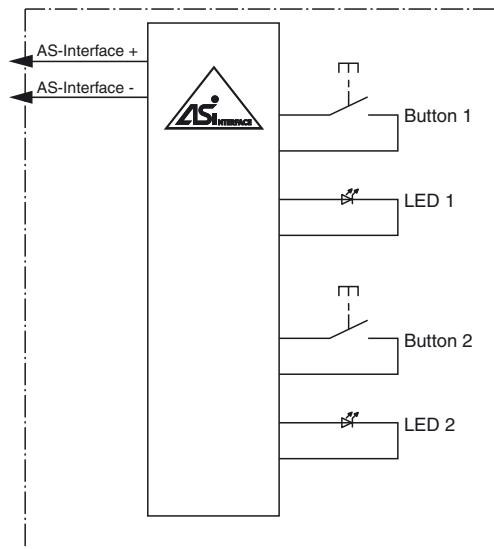
Various bases are available for the module. Use the U-G1F base to connect to the AS-Interface flat cable, and use the U-G1P base to connect to the round cable.

The output modules often have to be mounted in series with the illuminated pushbutton. The outputs of the output modules are supplied externally with power. If the power is supplied via a flat cable, the power supply lead has to be mounted in the base of the input module. The U-G1FF base should be used in this case. The VAA-LT2-G1 then uses the AS-Interface cable rather than the power cable.

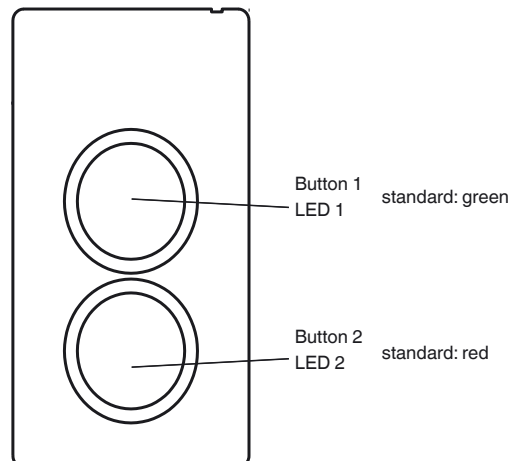
Dimensions



Electrical connection



Indicating / Operating means



Release date: 2008-08-07 15:51 Date of issue: 2014-01-13 099540_eng.xml

Technical data**General specifications**

Slave type	Standard slave
------------	----------------

Indicators/operating means

Button	2 integrated, protected against accidental activation, keys can be individually labelled, labeling field on the module
--------	------------------------------------------------------------------------------------------------------------------------

Electrical specifications

Rated operating voltage	U_e	26.5 ... 31.6 V from AS-Interface
Rated operating current	I_e	≤ 55 mA (LEDs on)
Protection class		III

Programming instructions

Profile	S-3.F
IO code	3
ID code	F

Data bits (function via AS-Interface)	input	output
D0	Button 2 red	-
D1	Button 1 green	-
D2	-	LED 2 red
D3	-	LED 1 green

Parameter bits (programmable via AS-i) function

P0	not used
P1	not used
P2	not used
P3	not used

Ambient conditions

Ambient temperature	-25 ... 60 °C (-13 ... 140 °F)
Storage temperature	-40 ... 85 °C (-40 ... 185 °F)

Mechanical specifications

Protection degree	IP67 according to EN 60529
Connection	cable piercing method or terminal compartment flat cable or standard round cable

Accessories**VBP-HH1-V3.0-KIT**

AS-Interface Handheld with accessory

VBP-HH1-V3.0

AS-Interface Handheld

VAZ-LT2-REMOVER

Mounting aid for pressure covers

Matching system components**U-G1F**

AS-Interface module mounting base for connection to flat cable (AS-Interface)

U-G1FA

AS-Interface module mounting base with addressing jack for connection to flat cable (AS-Interface)

U-G1P

AS-Interface module mounting base for connection to round cable (AS-Interface)

VAZ-LT2-BK

Pressure cover for illuminated pushbutton module

VAZ-LT2-BU

Pressure cover for illuminated pushbutton module

VAZ-LT2-GN

Pressure cover for illuminated pushbutton module

VAZ-LT2-RD

Pressure cover for illuminated pushbutton module

VAZ-LT2-YE

Pressure cover for illuminated pushbutton module

VAZ-LT2-CL

Pressure cover for illuminated pushbutton module