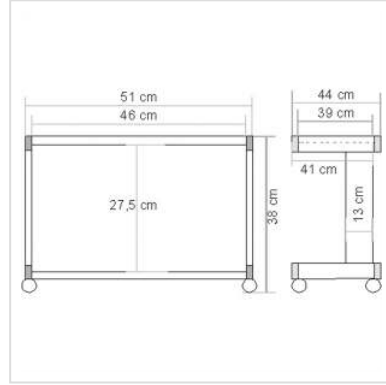


ROLINE Mini Printer Table

Product No.	17.01.1085
Manufacturer	ROLINE
Manufacturer No.	17.01.1085
EAN (single piece)	7611990120741



- Stable metal frame
- Printer shelf and floor level shelf (WxD: 46x39 cm)
- Mobile through 4 wheels, 2 of them are lockable
- Load bearing capacity: up to 30 kg
- Colour:
frame: light grey
surface: white
surface border: white
- Dimensions (HxWxD): 38x51x44 cm

Technical specifications

Manufacturer	ROLINE
Product group	Furniture
Product type	printer table
Colour	grey
Weight	12.5 kg
height	38 cm
width	51 cm
depth	44 cm
width table top	46 cm

depth table top

39 cm