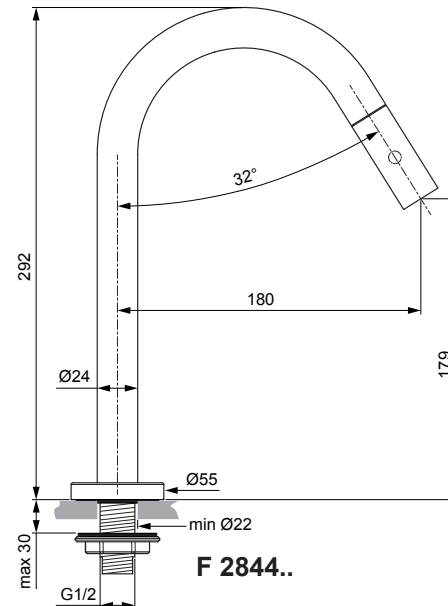
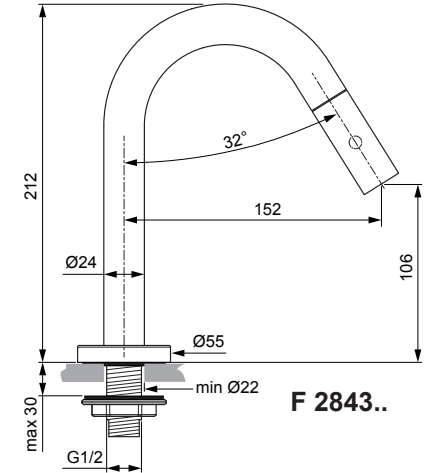
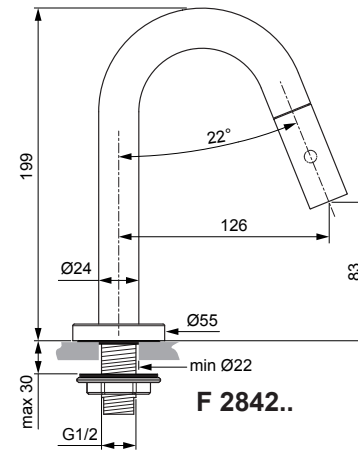


IDEALSTREAM

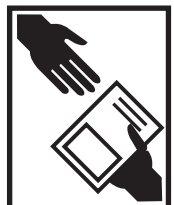
F 2842.. F 2843.. F 2844..

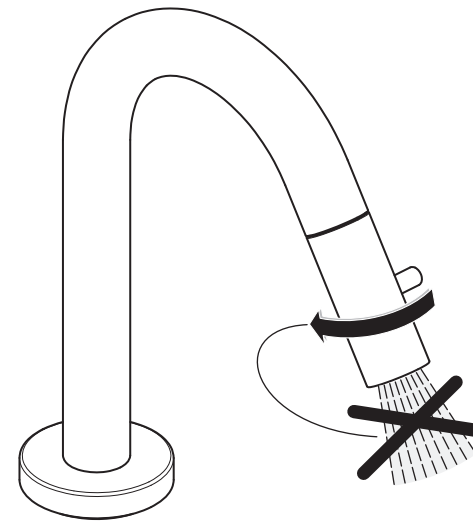
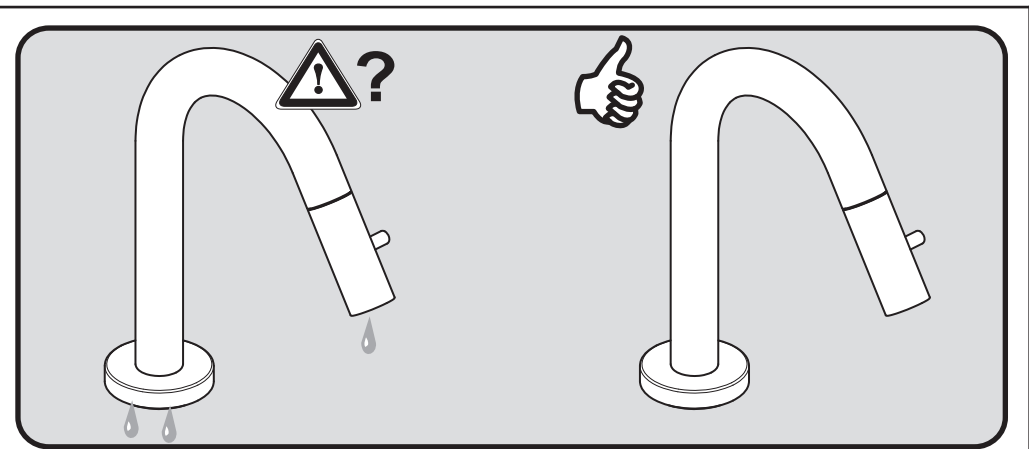
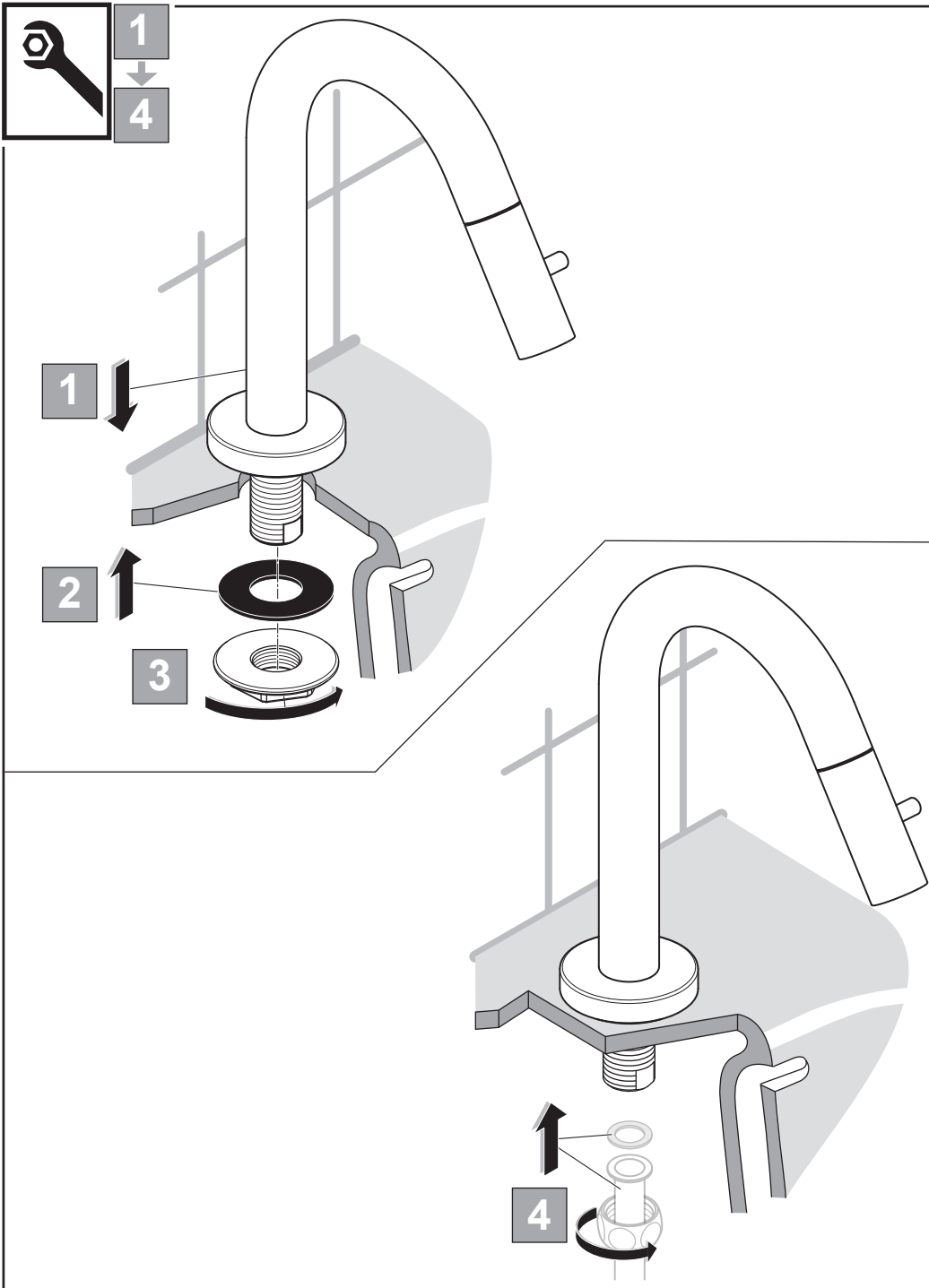
0316 / A 868 217
(+ A 865 612)



Ideal Standard International NV
Corporate Village - Gent Building
Da Vincilaan 2
1935 Zaventem
Belgium

www.idealstandardinternational.com





P	bar	MIN. 0,5	MAX. 5	Q (3 bar)
T	°C	MAX. 80	MIN. 10	
				I/min
				8,3