

SKF TKTL 40



Instructions for use
Mode d'emploi
Bedienungsanleitung
Instrucciones de uso

Manuale d'istruzioni
Instruções de uso
使用说明书
Инструкция по эксплуатации

English 3

Français 29

Deutsch 55

Español 81

Italiano 107

Português 133

中文 159

Русский 185

Table of contents

EC Declaration of conformity.....	4
Safety recommendations.....	5
1. Introduction.....	6
2. Features	7
3. Technical data	8
4. Front panel and button description	10
5. Menu overview	13
5.1 Measurement Mode.....	13
5.2 IR CAM mode	14
5.2.1 Taking pictures	15
5.2.2 Taking Videos.....	15
5.3 IR measurement mode.....	15
5.4 DEWPOINT mode.....	16
5.5 Datalogger	16
5.6 Gallery	17
5.7 Settings.....	18
5.7.1 Languages	19
5.7.2 Date/Time.....	19
5.7.3 Units	19
5.7.4 Memory.....	20
5.7.5 Beeper.....	20
5.7.6 Auto screen-off	21
5.7.7 Auto power-off.....	21
5.7.8 System default setting	21
6. Measurement Settings.....	22
6.1 Emissivity set	23
6.2 Alarm High	23
6.3 Alarm Low	24
6.4 Laser	24
6.5 Auto Mode.....	24
6.6 Max/Min.....	25
6.7 Average/Dif.....	25
6.8 Ambient TEMP/% RH.....	25
6.9 Dewpoint/wet bulb.....	25
6.10 Contact temperature probe type K measurement	25
6.11 Color	26
7. Notes	27
8. Emissivity table.....	28
9. Spare parts	28

Original instructions

EC Declaration of conformity

We,
SKF Maintenance Products
Kelvinbaan 16
3439 MT Nieuwegein
The Netherlands

herewith declare that the following product:

SKF Infrared Thermometer TKTL 40

has been designed and manufactured in accordance with:
EMC DIRECTIVE 2004/108/EC as outlined in the harmonized
norm for

EN 55022:2006+A1:2007
EN 55024:1998+A1:2001+A2:2003
EN 61326-1:2006
EN 61326-2-1:2006
IEC 61326-1:2005
IEC 61326-2-1:2005

The laser is classified in accordance with the EU norm
EN 60825-1:1994/A2:2001/A1:2002

EUROPEAN ROHS DIRECTIVE 2011/65/EU

Nieuwegein, The Netherlands,
November 2013



Sébastien David
Manager Product Development and Quality



Safety recommendations

- Always read and follow the operating instructions for use.
- Never stare directly into the laser source.
- Never aim the laser beams into anyone's eyes.
- Never open the instrument.
- All repair work should be taken care of by an SKF repair shop.



1. Introduction

The SKF TKTL 40 is a portable, lightweight multi-functional instrument for safely measuring temperatures at a distance. Simply aim and pull the trigger and the temperature is shown on the display. Users can also measure contact temperatures using the probe supplied. This feature rich instrument also has the facility to take pictures and videos, showing the temperature measurements. In addition, a number of environmental properties can also be measured and displayed.



2. Features

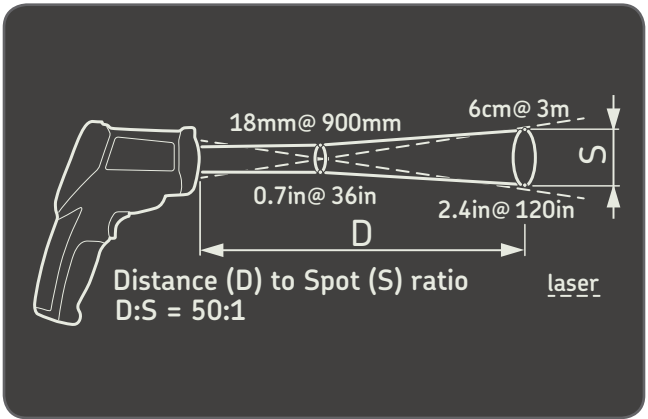
- 2.2" TFT LCD display
- 640 × 480 pixels digital camera
- Internal memory expandable to 8GB using Micro SD card
- Image (JPEG) and video (MP4)
- Humidity and Air Temperature
- Dual laser targeting
- Type-K thermocouple probe
- Adjustable emissivity
- High accuracy
- Fast response time
- Dewpoint temperature and Wet bulb temperature

Distance & Spot Size

As the distance (D) from the object increases, the spot size (S) of the area measured by TKTL 40 becomes larger.

The relationship between distance and each unit is listed below.

The spot size indicates 90% measured energy.



3. Technical data

General	
Display	2,2" 320 × 240 colour LCD with backlight
Displayed resolution	0,1° up to 1 000°, otherwise
Emissivity setting	0,10–1,00
Backlit display	Always on
Measurement modes	Min, max, average, differential, Probe/IR dual display datalogger
HVAC Functionalities	Wet Bulb, Dew point, Humidity, Air temperature
Alarm modes	High and low level alarm level with audible alarm
Photo and Video mode	640 × 480 Camera, Images (JPEG) & Video (3GP)
Memory	310 MB internal memory, expandable to 8GB using Micro SD card
PC Connection	Yes, Mini USB cable included
Laser Pointer	2 × built-in class 2 lasers, on/off
Maximum laser power	1 mW
Auto Switch Off	3 minutes, adjustable
Tripod Mount	1/4" BSW

Infrared Temperature Measurement	
Distance to Spot size (D:S)	50:1
Temperature range using infrared	–50 to +1 000 °C (–58 to +1 832 °F)
Accuracy	20 to 500 °C: ±1% of reading or 1 °C (1.8 °F) whichever is greater 500 to 1 000 °C: ±1,5% of reading –50 to +20 °C: ±3,5 °C (6.3 °F)
Response time	<300 ms
Spectral response	8–14 μm

Contact Probe Measurement	
Temperature using probe	–50 to +1 370 °C (–58 to +2 498 °F)
Probe compatibility	Type K
Probe supplied	TMDT 2-30, suitable for use up to 900 °C (1 650 °F)
Accuracy	0 to 1 370 °C: ±0,5% of reading ±1,5 °C (±2.7 °F) –50 to 0 °C: ±2,5 °C (4.5 °F)

Battery and Power

Battery	1 × Rechargeable Li-ion Battery 3,7 V 1 400 mAh 5,2 W
Operation time	4 hours continuous use
Power Adapter	100–240 V/50–60 Hz AC Compact Charger with Europe, USA, UK and Australian plugs
Charging Time	2 hours with AC adapter

Size and Weight

Product Dimensions	205 × 155 × 62 mm (8.1 × 6.1 × 2.4 in.)
Product Weight	500 g (1.1 lb)
Carrying Case dimensions	530 × 85 × 180 mm (20.9 × 3.4 × 7.0 in.)
Total weight (incl. case)	1,7 kg (3.8 lb)

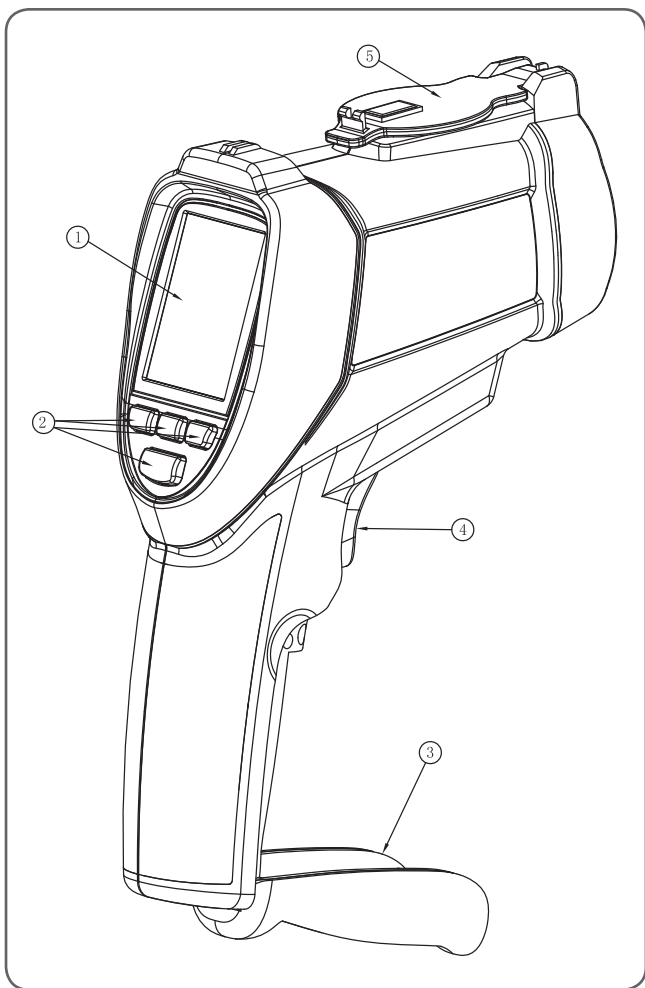
Operating Requirements

Operating temperature	0 to 50 °C (32 to 120 °F)
Storage temperature	–10 to +60 °C (–4 to +150 °F)
Relative Humidity	10 to 90% RH non-condensing
IP rating	IP 40

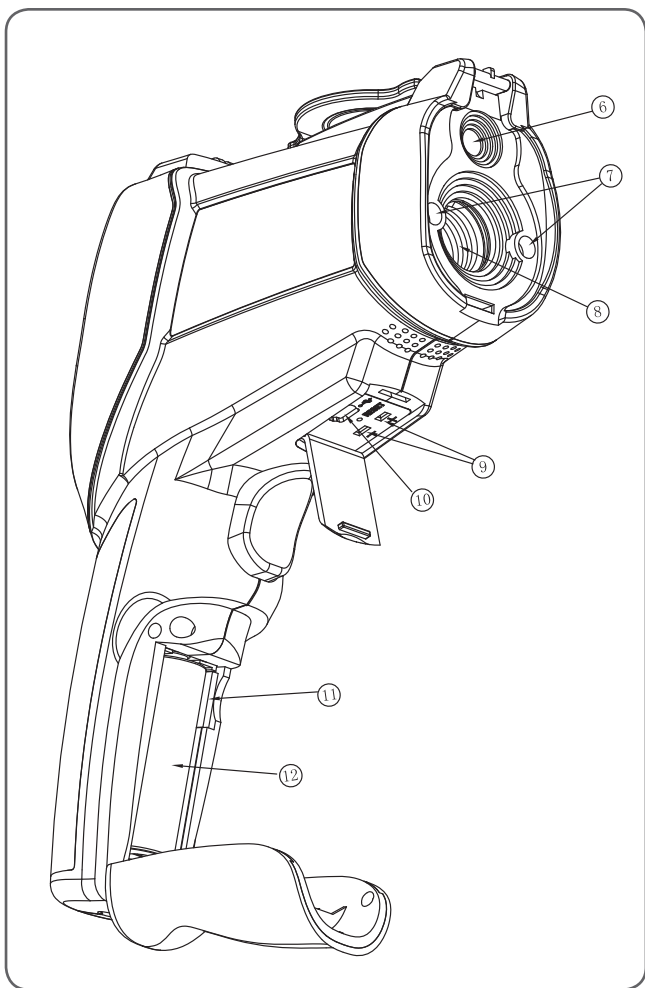
Case contents

1 × Infrared thermometer TKTL 40
1 × Contact probe TMDT 2-30
1 × AC battery charger
1 × Mini tripod
1 × Mini USB to USB connection cable
1 × printed Instructions for use

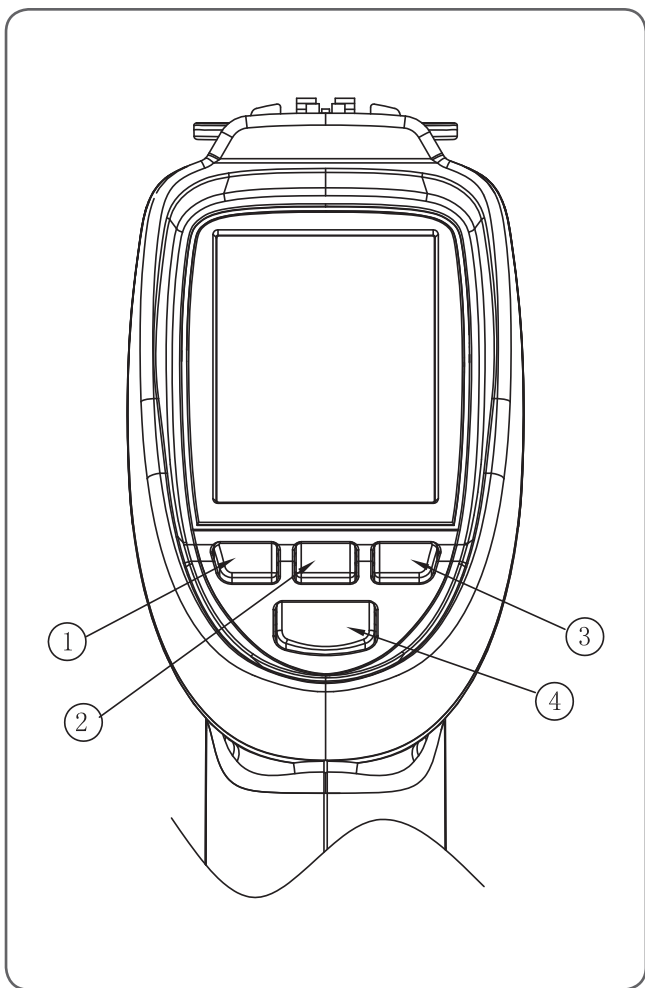
4. Front panel and button description



Item	Description
1	LCD Display
2	Buttons
3	Battery cover
4	Measurement trigger
5	Magnetic lens cover



Item	Description
6	Visual camera
7	Lasers
8	IR sensor
9	Type-K thermocouple socket
10	Mini USB computer and power adapter connector
11	Micro SD memory card port
12	Battery



Item	Description
1	UP or Picture button
2	Power/Esc button
3	Down or video button
4	Mode/Enter button

5. Menu overview

Switching On the Camera:

- Press and hold the Power button until the LCD is on to turn On the camera.
- Press and hold the Power button until the LCD is off to turn Off the camera.











5.1 Measurement Mode

The TKTL 40 has six modes:

Press the ESC button to display the six modes. Use the UP or DOWN buttons to select a mode.

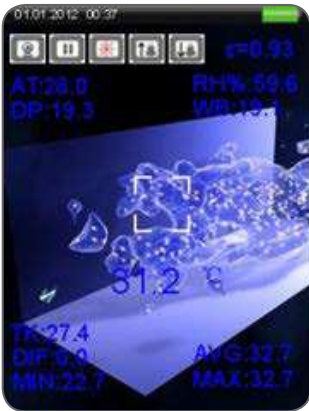


Item	Description
IR CAM	Measure the IR temperature and other parameters with a camera image
IR Measure	Measure the IR temperature and other parameters without a camera image
Dewpoint	Dewpoint visualization mode
Datalogger	Datalogger mode
Gallery	Display recorded pictures, datalogs and videos
Settings	Modify Camera Settings

Symbol	Description
	CAM mode
	IR mode
	DEWPOINT mode
	Laser
	Scan
	High alarm
	High alarm working
	Low alarm
	Low alarm working
	Hold

5.2 IR CAM mode

Used to measure IR temperature, air temperature, air humidity, dewpoint temperature and wet bulb temperature with camera. It can display the IR MAX temp., MIN temp., DIF temp., AVG temp. Press and hold the trigger to measure the temperature. This allows taking pictures and videos.



5.2.1 Taking pictures

Press the ▲ button to take a picture, then press the ▲ button again to save the picture or delete the picture with the ▼ button.



5.2.2 Taking Videos

Press the ▼ button to start recording a video.
Press the ▼ button again to stop the recording and save the video.

Zoom function:

Long press the ▼ button to zoom out.
Long press the ▲ button to zoom in.

5.3 IR measurement mode

Used to measure IR temperature, air temperature, air humidity, dewpoint temperature and wet bulb temperature without camera.
It can display the IR MAX temp., MIN temp., DIF temp., AVG temp.
Press and hold the trigger to measure the temperature.



5.4 DEWPOINT mode

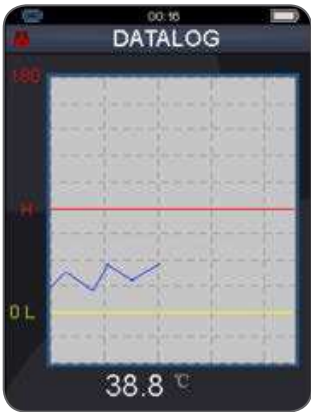


Press and hold trigger to start measuring.



The percentage shows how close the measured IR temperature is from the Dewpoint temperature. When the scale is at 100%, the measured IR temperature is at the dewpoint level.

5.5 Datalogger



Press the trigger once to start the datalogger measurements. Press the ESC button to quit the DATALOGGER mode and automatically save the data to the internal memory or memory card.

Note:

Define the measurement recording interval in the logs time setting. The logs can be visualized from the gallery or downloaded on a computer with the USB connection.

5.6 Gallery



Item	Description
Video	Play the saved videos
Picture	Display the saved pictures
Logs	Display the data logs

- Press the UP and DOWN buttons to select picture, video or Logs. Then press the ENTER button.
- **Video playback:**
Press the ENTER button to pause or play.
Press the Esc button to exit.











- **Photo view:**
Press the ENTER button to open the menu, press the UP button to previous picture file, press the DOWN button to next picture file.



- **Delete a picture:**
Keep the ENTER button pressed until the delete menu appears.
- **Delete a video:**
Keep the ENTER button pressed on the file list until the delete menu appears.

5.7 Settings



Symbol	Settings
	Languages
	Date/Time
	Temperature Units
	Memory
	Beep when a button is pressed
	Auto screen-off
	Auto power-off
	System default setting

5.7.1 Languages



Press the UP and DOWN button to select the language, press ESC button to esc and save the select the language.

5.7.2 Date/Time



Press the UP and DOWN button to select the date or time, then press the ENTER button to enter, press the UP and DOWN button to adjust the value, press the ESC button to esc and save.

5.7.3 Units



Press the UP and DOWN button to select the units, press the ESC button to esc and save.

5.7.4 Memory



Press the UP and DOWN button to select the Memory device, press the ENTER button to enter. The internal memory or the memory card can be selected.



5.7.5 Beeper



Press the UP and DOWN button to select the beeper status, press ESC button to esc and save the select the beeper status.

5.7.6 Auto screen-off



Press the UP and DOWN button to select the screen auto off time or disable the function. Press the ESC button to esc and save.

5.7.7 Auto power-off



Press the UP and DOWN button to select the auto power off time or never auto power off, press the ESC button to esc and save.

5.7.8 System default setting



Select Yes to reset all settings. The stored data will not be affected.

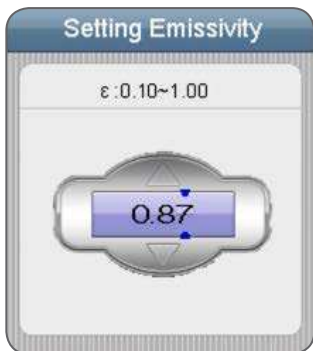
6. Measurement Settings

On any mode, press the ENTER button into the menu.



Item	Description
Emissivity	Set the emissivity
Alarm High	Set a High temperature alarm
Alarm Low	Set a Low temperature alarm
Laser	Enable or disable the laser
Auto Mode	Continuous measurement when enabled
Max/Min	Display the max. or min. IR temperature
Average/Dif	Display the average or difference of IR temp.
Ambient temp /% RH	Display the air temperature and relative humidity
Dewpoint/ wet bulb	Display the dewpoint and wet bulb temperature
Type k	Enable or disable the type-K input
Color	Font color

6.1 Emissivity set



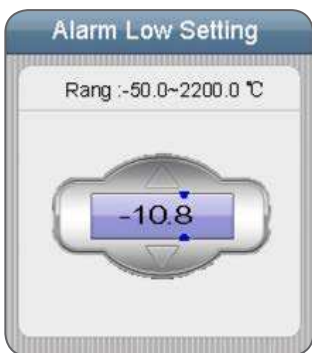
ON the first Item, press the ENTER button to adjust emissivity, press the UP and DOWN button to adjust the value, then press the ENTER button to confirm. Press the UP and DOWN button to select the emissivities of the materials, press the ESC button to esc and save.

6.2 Alarm High



Press the ENTER button on the first row and use the UP and DOWN button to adjust the value. Press the ENTER button to confirm, press the ESC button to esc and save.

6.3 Alarm Low



Press the ENTER button on the first row and use the UP and DOWN button to adjust value. Press the ENTER button to confirm, press the ESC button to esc and save.

6.4 Laser



Enable



Disable

Press the ENTER button to enable or disable laser.
Press the ESC button save.

6.5 Auto Mode

Activate to enable continuous measurement of the IR temperature.

6.6 Max/Min



Enable



Disable

Press the ENTER button to enable or disable.

Press the ESC button to quit and save.

6.7 Average/Dif



Enable



Disable

Press the ENTER button to enable or disable.

Press the ESC button to quit and save.

6.8 Ambient TEMP/% RH



Enable



Disable

Press the ENTER button to enable or disable.

Press the ESC button to quit and save.

6.9 Dewpoint/wet bulb



Enable



Disable

Press the ENTER button to enable or disable.

Press the ESC button to quit and save.

6.10 Contact temperature probe type K measurement



Enable



Disable

Press the ENTER button to enable or disable.

Press the ESC button to quit and save.

Note:

When a K-type probe is connected to the TKTL 40, the measured temperature will be displayed automatically.

6.11 Color



Choose a font color.



7. Notes

- **How does Infrared work?**

Infrared thermometers measure the surface temperature of an object. The unit's optics sense emitted, reflected, and transmitted energy, which is collected and focused onto a detector.

The unit's electronics translate the information into a temperature reading, which is displayed on the unit.

The laser is used for aiming purpose only.

- **Field of View**

Make sure the target is larger than the unit's spot size.

The smaller the target, the closer you should be.

When accuracy is critical, make sure the target is at least twice as large as the spot size.

- **Distance & Spot Size**

As the distance (D) from the object increases, the spot size (S) of the area measured by the unit becomes larger.

See figure at the beginning of this manual.

- **Locating a hot Spot**

To find a hot spot aim the thermometer outside the area of interest, then scan across with an up and down motion until you locate hot spot.

- **Reminders**

- Do not use the unit to measure shiny or polished metal surfaces (stainless steel, aluminum, etc.). See Emissivity.

- The unit can not measure through transparent surfaces such as glass. It will measure the surface temperature of the glass instead.

- Steam, dust, smoke, etc., can prevent accurate measurement by obstructing the unit's optics.

- **Emissivity**

Emissivity is a term used to describe the energy-emitting characteristics of materials.

Most (90% of typical applications) organic materials and painted or oxidized surfaces have an emissivity of 0.95 (pre-set in the unit).

Inaccurate readings will result from measuring shiny or polished metal surfaces. To compensate, cover the surface to be measured with masking tape or black paint. Allow time for the tape to reach the same temperature as the material underneath it.

Measure the temperature of the tape or painted surface.

8. Emissivity table

Substance	Thermal emissivity	Substance	Thermal emissivity
Asphalt	0,90 to 0,98	Cloth (black)	0,98
Concrete	0,94	Human skin	0,98
Cement	0,96	Lather	0,75 to 0,80
Sand	0,90	Charcoal (powder)	0,96
Earth	0,92 to 0,96	Lacquer	0,80 to 0,95
Water	0,92 to 0,96	Lacquer (matt)	0,97
Ice	0,96 to 0,98	Rubber (black)	0,94
Snow	0,83	Plastic	0,85 to 0,95
Glass	0,90 to 0,95	Timber	0,90
Ceramic	0,90 to 0,94	Paper	0,70 to 0,94
Marble	0,94	Chromium oxides	0,81
Plaster	0,80 to 0,90	Copper oxides	0,78
Mortar	0,89 to 0,91	Iron oxides	0,78 to 0,82
Brick	0,93 to 0,96	Textiles	0,90

9. Spare parts

Designation	Description
TMDT 2-30	Contact probe
TDTC 1/X	General toolcase without inlay, size X

Table des matières

Déclaration de conformité CE	30
Recommandations de sécurité.....	31
1. Introduction.....	32
2. Caractéristiques.....	33
3. Spécifications techniques	34
4. Description de panneau avant et bouton	36
5. Aperçu du menu	39
5.1 Mode de mesure	39
5.2 Mode CAM IR	40
5.2.1 Prendre des photos.....	41
5.2.2 Prendre des vidéos	41
5.3 Mode de mesure IR.....	41
5.4 Mode de point de rosée	42
5.5 Journal	42
5.6 Galerie	43
5.7 Réglages	44
5.7.1 Langues	45
5.7.2 Date/Heure.....	45
5.7.3 Unités.....	45
5.7.4 Mémoire	46
5.7.5 Bipeur	46
5.7.6 Arrêt auto de l'écran.....	47
5.7.7 Arrêt auto	47
5.7.8 Réglages par défaut du système	47
6. Réglages de mesure.....	48
6.1 Émissivité réglée.....	49
6.2 Alarme haute	49
6.3 Alarme basse	50
6.4 Laser	50
6.5 Mode auto	50
6.6 Max/Min.....	51
6.7 Moyenne/Dif.....	51
6.8 TEMP ambiante et humidité relative.....	51
6.9 Point de rosée /Température du thermomètre mouillé.....	51
6.10 Mesure avec sonde de température de contact type K.....	51
6.11 Couleur.....	52
7. Notes	53
8. Table d'émissivité	54
9. Pièces de rechange	54

Traduction extraite du mode d'emploi d'origine

Déclaration de conformité CE

Nous,
SKF Maintenance Products
Kelvinbaan 16
3439 MT Nieuwegein
Pays-Bas

déclarons que le produit suivant:

Thermomètre infrarouge SKF TKTL 40

a été conçu et fabriqué conformément à la
EMC DIRECTIVE 2004/108/EC, telle qu'elle est décrite dans la norme
harmonisée pour
EN 55022:2006+A1:2007
EN 55024:1998+A1:2001+A2:2003
EN 61326-1:2006
EN 61326-2-1:2006
IEC 61326-1:2005
IEC 61326-2-1:2005

Le laser est classifié selon la norme UE
EN 60825-1:1994/A2:2001/A1:2002.

DIRECTIVE EUROPÉENNE ROHS 2011/65/UE

Nieuwegein, Pays-Bas,
Le 1 novembre 2013



Sébastien David
Responsable Développement de Produits et Responsable Qualité



Recommandations de sécurité

- Lisez et respectez toujours les consignes du mode d'emploi.
- Ne regardez jamais directement dans la source du laser.
- Ne dirigez jamais les rayons laser dans les yeux de quelqu'un.
- N'ouvrez jamais l'instrument.
- Toute réparation doit être confiée à un atelier de réparation SKF.



1. Introduction

Le SKF TKTL 40 est un instrument portable, léger et multifonctions pour mesurer en toute sécurité des températures à distance. Pointez et appuyez sur la gâchette pour afficher la température à l'écran.

Les utilisateurs peuvent aussi mesurer la température à contact avec une sonde fournie.

Cet instrument, doté de multiples fonctions, prend aussi des photos et des vidéos permettant de mesurer facilement la température.

En outre, plusieurs propriétés environnementales peuvent également être mesurées et affichées.



2. Caractéristiques

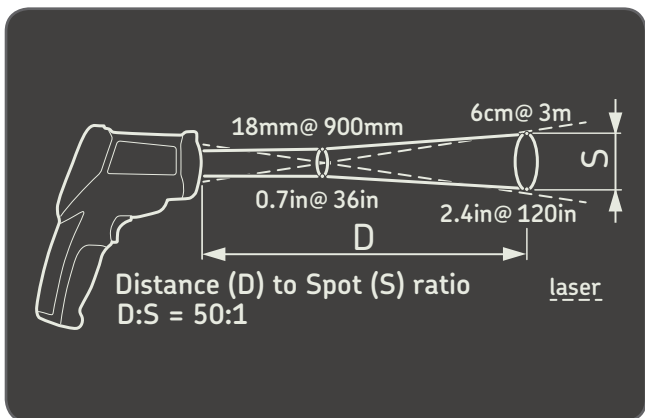
- Écran LCD TFT 2,2"
- Caméra numérique 640 × 480 pixels
- Mémoire interne extensible à 8Go avec une carte Micro SD
- Image (JPEG) et vidéo (MP4)
- Humidité et température de l'air
- Double visée laser
- Sonde thermocouple type K
- Émissivité réglable
- Précision élevée
- Temps de réponse court
- Température du thermomètre mouillé et point de rosée

Distance et taille de curseur

À mesure que la distance (D) de l'objet augmente, la taille du curseur (S) de la zone mesurée par le TKTL 40 grandit.

La relation entre la distance et chaque unité est affichée ci-dessous.

La taille du curseur indique 90% de l'énergie mesurée.



3. Spécifications techniques

Généralités	
Affichage	LCD couleur 2,2" 320 × 240 rétroéclairé
Résolution affichée	0,1° à 1 000°, autrement
Réglage d'émissivité	0,10–1,00
Affichage rétroéclairé	Toujours activé
Modes de mesure	Min, max, moyen, différentiel, Affichage double sonde/infrarouge, enregistreur de données
Fonctionnalités HVAC	Température du thermomètre mouillé, point de rosée, humidité, température de l'air
Modes d'alarme	Alarme niveaux haut et bas avec alarme audible
Mode photo et vidéo	Caméra 640 × 480, images (JPEG) et vidéo (3GP)
Mémoire	Mémoire interne 310 Mo extensible à 8Go avec une carte Micro SD
Connexion ordinateur	Oui, Câble mini USB inclus
Pointeur laser	2 × lasers intégrés classe 2, marche/arrêt
Puissance max. laser	1 mW
Arrêt auto	3 minutes, réglable
Montage trépied	1/4" BSW

Mesure de température infrarouge	
Rapport distance/spot (D:S)	50:1
Plage de température	–50 à +1 000 °C
Précision	20 à 500 °C: ±1% de la valeur affichée ou 1 °C en considérant la valeur la plus grande 500 à 1 000 °C: ±1,5% de la valeur affichée –50 à +20 °C: ±3,5 °C
Temps de réponse	<300 ms
Réponse spectrale	8–14 µm

Mesure avec sonde de contact	
Plage de température	–50 à +1 370 °C
Sonde compatible	Type K
Sonde fournie	TMDT 2-30, convient pour une utilisation jusqu'à 900 °C
Précision	0 à 1 370 °C: ±0,5% de la valeur affichée ±1,5 °C –50 à 0 °C: ±2,5 °C

Batterie et alimentation

Batterie	1 × batterie rechargeable Li-ion 3,7 V 1 400 mAh 5,2 W
Autonomie	Jusqu'à 4 heures en continu
Adaptateur d'alimentation	Un chargeur compact CA 100V-240V 50-60Hz avec prises compatibles Europe, USA, Angleterre et Australie
Temps de charge	2 heures avec adaptateur CA

Taille et poids

Dimensions du produit	205 × 155 × 62 mm
Poids du produit	500 g
Dimensions mallette de transport	530 × 85 × 180 mm
Poids total (mallette incl.)	1,7 kg

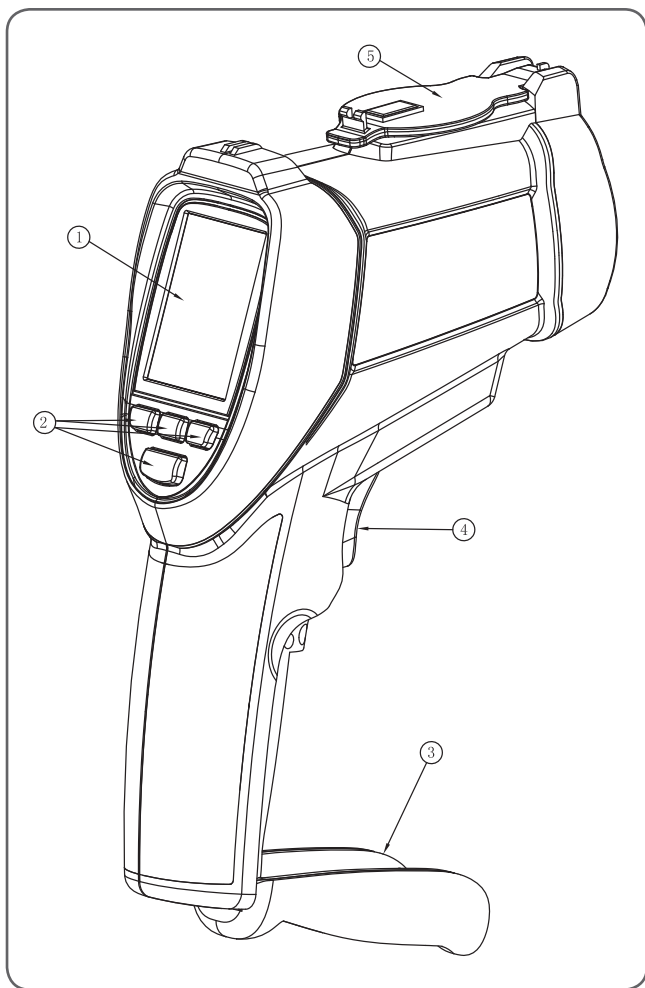
Conditions de fonctionnement

Température de fonctionnement	0 à 50 °C
Température de stockage	-10 à +60 °C
Humidité relative	10 à 90% HR, sans condensation
Indice de protection	IP 40

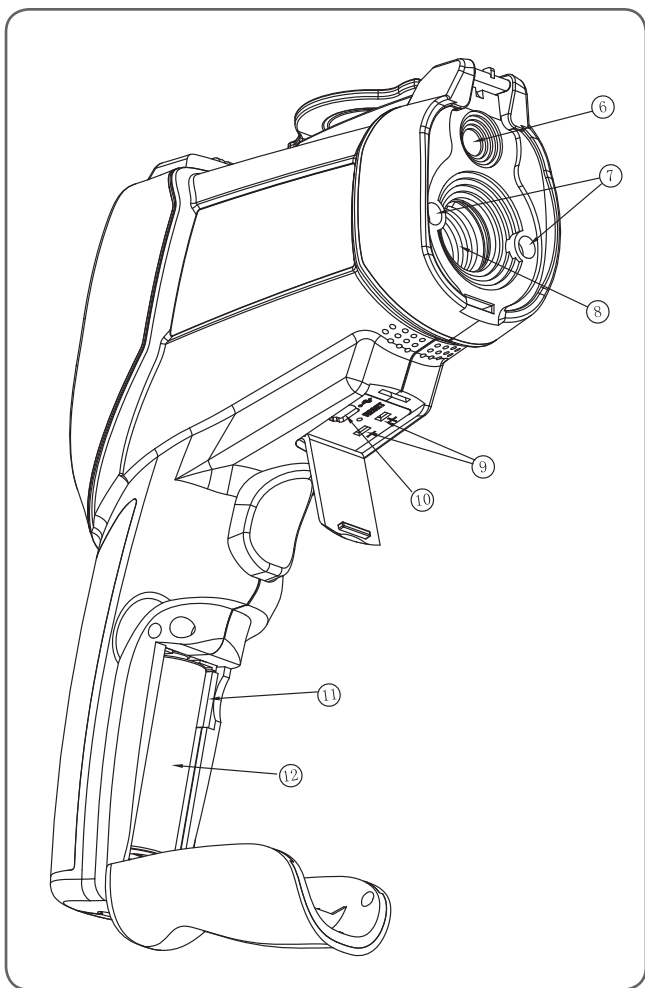
Contenu de la mallette

1 × Thermomètre infrarouge TKTL 40
1 × Sonde de contact TMDT 2-30
1 × Chargeur de batterie CA
1 × Mini trépied
1 × Câble de connexion mini USB à USB
1 × Mode d'emploi imprimé

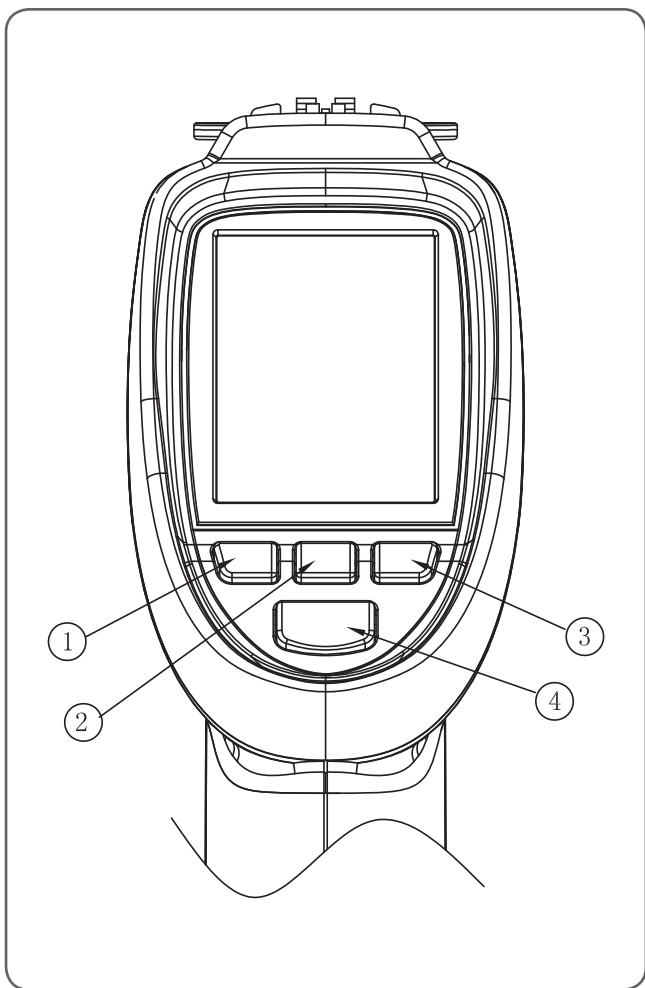
4. Description de panneau avant et bouton



Élément	Description
1	Écran LCD
2	Boutons
3	Cache batterie
4	Gâchette de mesure
5	Cache objectif magnétique



Élément	Description
6	Caméra numérique
7	Laser
8	Capteur IR infrarouge
9	Connexion thermocouple type K
10	Connexion recharge batterie avec câble mini USB vers ordinateur/CC.
11	Port de carte mémoire Micro SD
12	Batterie



Élément	Description
1	Bouton Haut ou Photo
2	Bouton Marche /Esc (sortie)
3	Bouton Bas ou Vidéo
4	Bouton Mode/Entrée

5. Aperçu du menu

Mise sous tension de la caméra:

- Appuyez sur le bouton marche sans relâcher jusqu'à l'allumage du LCD pour mettre la caméra en marche.
- Appuyez sur le bouton marche sans relâcher jusqu'à l'extinction du LCD pour arrêter la caméra.











5.1 Mode de mesure

Le TKTL 40 propose six modes:

Appuyez sur le bouton Esc pour afficher les six modes. Utilisez les boutons Haut et Bas pour sélectionner un mode.

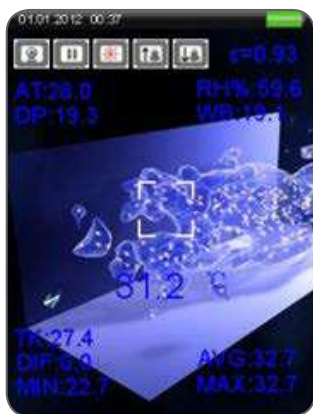


Élément	Description
IR CAM	Mesure la température IR et d'autres paramètres avec une image caméra
IR Measure	Mesure la température IR et d'autres paramètres sans image caméra
Dewpoint	Mode de visualisation du point de rosée
Datalogger	Mode journal
Gallery	Affichage des images, journaux et vidéos enregistrés
Settings	Modification des réglages caméra

Symbole	Description
	Mode CAM
	Mode IR
	Mode Point de rosée
	Laser
	Scan
	Alarme haute
	Alarme haute active
	Alarme basse
	Alarme basse active
	Pause

5.2 Mode CAM IR

Pour mesurer la température IR, la température de l'air, l'humidité de l'air, la température du point de rosée et la température du thermomètre mouillé avec la caméra. Possibilité d'affichage des températures IR MAX, MIN, DIF et MOY. Appuyez sur la gâchette sans relâcher pour mesurer la température. Vous pouvez ainsi prendre des photos ou des vidéos.



5.2.1 Prendre des photos

Appuyez sur le bouton ▲ pour prendre une photo puis sur le bouton ▲ à nouveau pour l'enregistrer ou supprimez-la avec le bouton ▼.



5.2.2 Prendre des vidéos

Appuyez sur le bouton ▼ pour lancer l'enregistrement d'une vidéo. Appuyez sur le bouton ▼ à nouveau pour arrêter l'enregistrement et enregistrer la vidéo.

Fonction zoom:

Appuyez longuement sur le bouton ▼ pour zoomer en arrière. Appuyez longuement sur le bouton ▲ pour zoomer en avant.

5.3 Mode de mesure IR

Pour mesurer la température IR, la température de l'air, l'humidité de l'air, la température du point de rosée et la température du thermomètre mouillé sans la caméra.

Possibilité d'affichage des températures IR MAX, MIN, DIF et MOY.

Appuyez sur la gâchette sans relâcher pour mesurer la température.



5.4 Mode de point de rosée

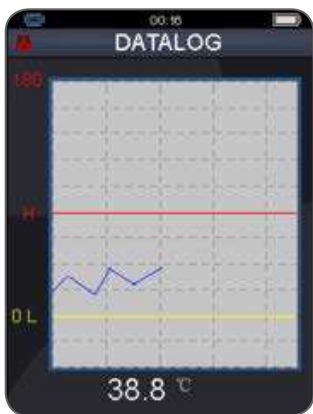


Appuyez sur la gâchette sans relâcher pour lancer la mesure.



Le pourcentage affiche la proximité de la température IR mesurée avec la température du point de rosée. Si l'échelle atteint 100%, la température IR mesurée correspond au niveau du point de rosée.

5.5 Journal



Appuyez une fois sur la gâchette pour lancer les mesures du journal. Appuyez sur le bouton Esc pour sortir du mode journal et enregistrer automatiquement les données dans la mémoire interne ou la carte mémoire.

Remarque:

Définissez l'intervalle d'enregistrement de mesure dans le paramètre de temps du journal. Les journaux sont visualisables dans la galerie ou en les téléchargeant dans un ordinateur via la connexion USB.

5.6 Galerie



Élément	Description
Video	Lecture les vidéos enregistrées
Picture	Affiche les photos enregistrées
Logs	Affiche les journaux de données

- Appuyez sur les boutons Haut et Bas pour sélectionner Picture, Video ou Logs Appuyez ensuite sur Entrée.
- **Lecture de vidéo:**
Appuyez sur le bouton Entrée pour pauser la lecture.
Appuyez sur le bouton Esc pour sortir.











- **Affichage de photo:**
Appuyez sur le bouton Entrée pour ouvrir le menu et appuyez sur le bouton Haut pour le fichier de photo précédent ou sur Bas pour le suivant.



- **Supprimer une photo:**
Maintenez le bouton Entrée appuyé jusqu'à l'affichage du menu de suppression.
- **Supprimer une vidéo:**
Maintenez le bouton Entrée appuyé sur la liste de fichiers jusqu'à l'affichage du menu de suppression.

5.7 Réglages



Symbole	Réglages
	Langues
	Date/Heure
	Unités de température
	Mémoire
	Bip en cas de pression sur un bouton
	Arrêt auto de l'écran
	Arrêt auto
	Réglage par défaut du système

5.7.1 Langues



Appuyez sur les boutons Haut et Bas pour sélectionner la langue et sur le bouton Esc pour sortir et enregistrer la langue sélectionnée.

5.7.2 Date/Heure



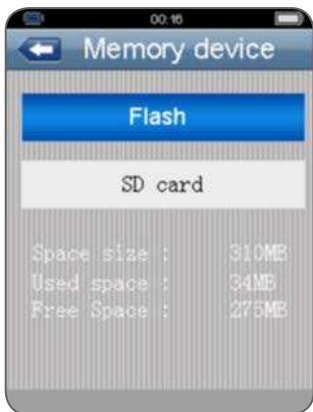
Appuyez sur les boutons Haut et Bas pour sélectionner la date ou l'heure, puis sur le bouton Entrée pour valider et appuyez sur les boutons Haut et Bas afin d'ajuster la valeur pour enfin appuyer sur le bouton Esc pour sortir et enregistrer.

5.7.3 Unités



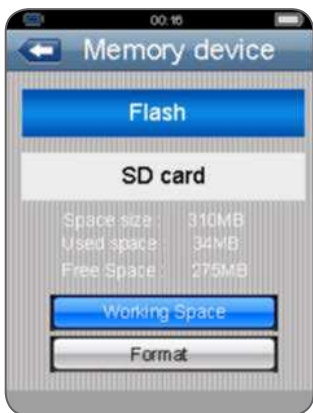
Appuyez sur les boutons Haut et Bas pour sélectionner les unités et sur le bouton Esc pour sortir et enregistrer la sélection.

5.7.4 Mémoire



Appuyez sur les boutons Haut et Bas pour sélectionner le dispositif mémoire et sur le bouton Entrée pour valider.

Vous pouvez sélectionner la mémoire interne ou la carte mémoire.



5.7.5 Bipeur



Appuyez sur les boutons Haut et Bas pour sélectionner l'état du bipeur et sur le bouton Esc pour sortir et enregistrer la sélection.

5.7.6 Arrêt auto de l'écran



Appuyez sur les boutons Haut et Bas pour sélectionner le délai d'arrêt auto de l'écran ou désactiver la fonction.

Appuyez sur le bouton Esc pour sortir et enregistrer.

5.7.7 Arrêt auto



Appuyez sur les boutons Haut et Bas pour sélectionner le délai d'arrêt auto ou désactiver la fonction et sur le bouton Esc pour sortir et enregistrer la sélection.

5.7.8 Réglages par défaut du système



Sélectionnez Yes pour réinitialiser tous les réglages.

Les données enregistrées ne seront pas affectées.

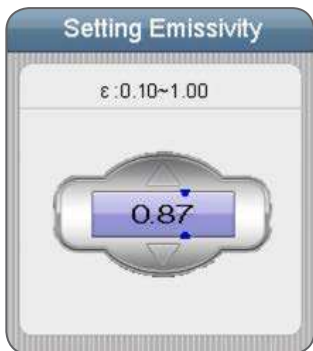
6. Réglages de mesure

Dans tous les modes, appuyez sur le bouton Entrée pour accéder au menu.



Élément	Description
Emissivity	Réglage de l'émissivité
Alarm High	Réglage d'alarme de température haute
Alarm Low	Réglage d'alarme de température basse
Laser	Activation /désactivation du laser
Auto Mode	Mesure en continu en cas d'activation
Max/Min	Affichage de la température IR max ou min
Average/Dif	Affichage de la température IR moyenne ou différentielle
Ambient temp /% RH	Affichage de la température de l'air et de l'humidité relative
Dewpoint/wet bulb	Affichage des températures de point de rosée et du thermomètre mouillé
Type k	Activation /désactivation de la sonde type K
Colour	Couleur de police

6.1 Émissivité réglée



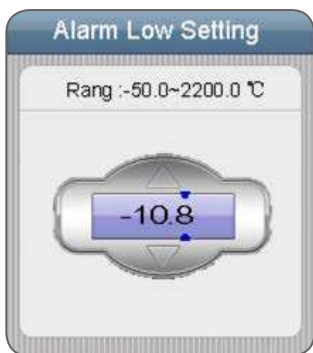
Sur le premier élément, appuyez sur le bouton Entrée pour régler l'émissivité, puis sur Haut et Bas pour ajuster la valeur et sur Entrée pour la confirmer. Appuyez sur les boutons Haut et Bas pour sélectionner les émissivités des matériaux et sur le bouton Esc pour sortir et enregistrer la sélection.

6.2 Alarme haute



Appuyez sur le bouton Entrée du premier rang et utilisez les boutons Haut et Bas pour ajuster la valeur. Appuyez sur le bouton Entrée pour confirmer puis sur le bouton Esc pour sortir et enregistrer.

6.3 Alarme basse



Appuyez sur le bouton Entrée du premier rang et utilisez les boutons Haut et Bas pour ajuster la valeur. Appuyez sur le bouton Entrée pour confirmer puis sur le bouton Esc pour sortir et enregistrer la sélection.

6.4 Laser



Activer



Désactiver

Appuyez sur le bouton Entrée pour activer /désactiver le laser. Appuyez sur le bouton Esc pour enregistrer.

6.5 Mode auto

Activez pour activer la mesure continue de la température IR.

6.6 Max/Min



Activer



Désactiver

Appuyez sur le bouton Entrée pour activer /désactiver.
Appuyez sur le bouton Esc pour sortir et enregistrer.

6.7 Moyenne/Dif



Activer



Désactiver

Appuyez sur le bouton Entrée pour activer /désactiver.
Appuyez sur le bouton Esc pour sortir et enregistrer.

6.8 TEMP ambiante et humidité relative



Activer



Désactiver

Appuyez sur le bouton Entrée pour activer /désactiver.
Appuyez sur le bouton Esc pour sortir et enregistrer.

6.9 Point de rosée /Température du thermomètre mouillé



Activer



Désactiver

Appuyez sur le bouton Entrée pour activer /désactiver.
Appuyez sur le bouton Esc pour sortir et enregistrer.

6.10 Mesure avec sonde de température de contact type K



Activer



Désactiver

Appuyez sur le bouton Entrée pour activer /désactiver.
Appuyez sur le bouton Esc pour sortir et enregistrer.

Remarque:

Si une sonde de type K est connectée au TKTL 40, la température mesurée s'affiche automatiquement.

6.11 Couleur



Choisissez une couleur de police.



7. Notes

- **Comment fonctionnent les infrarouges?**

Les thermomètres à infrarouges mesurent la température de surface d'un objet. L'optique de l'unité perçoit l'énergie émise, réfléchiée et transmise, recueillie et focalisée sur un détecteur. L'électronique de l'unité traduit les informations en lecture de température, affichée sur l'unité. Le laser sert uniquement à des fins de visée.

- **Champ de vue**

Assurez-vous que la cible est plus grande que la taille du curseur de l'unité. Plus la cible est petite, plus vous devez être près.

Si la précision est essentielle, assurez-vous que la cible est au moins deux fois plus grande que la taille du curseur.

- **Distance et taille du curseur**

À mesure que la distance (D) de l'objet augmente, la taille du curseur (S) de la zone mesurée par l'unité grandit. Voir la figure au début de ce manuel.

- **Localisation du curseur chaud**

Pour localiser un curseur chaud, pointez le thermomètre hors de la zone d'intérêt puis scannez les environs avec un mouvement de haut en bas jusqu'à trouver le curseur chaud.

- **Rappels**

- N'utilisez pas l'unité pour mesurer des surfaces métalliques brillantes ou polies (acier inox, aluminium, etc.). Voir Émissivité.
- L'unité ne mesure pas à travers les surfaces transparentes comme le verre. Elle mesure en fait la température à la surface du verre.
- Vapeur, poussière, fumée, etc., peuvent empêcher une mesure précise en obstruant l'optique de l'unité.

- **Émissivité**

L'émissivité est un terme décrivant les caractéristiques d'émission d'énergie d'une matière.

Pour la plupart (90% des applications typiques), les matières organiques et les surfaces peintes ou oxydées présentent une émissivité de 0,95 (préréglage dans l'unité). Des lectures imprécises sont dues à la mesure de surfaces métalliques brillantes ou polies. Pour compenser, couvrez la surface à mesurer avec un ruban adhésif opaque ou une peinture noire. Laissez au ruban adhésif opaque le temps d'atteindre la même température que le matériau qu'il couvre. Mesurez la température de la surface du ruban ou de la peinture.

8. Table d'émissivité

Matériaux	Émissivité thermique	Matériaux	Émissivité thermique
Asphalte	0,90 à 0,98	Tissu (noir)	0,98
Béton	0,94	Peau humaine	0,98
Ciment	0,96	Cuir	0,75 à 0,80
Sable	0,90	Charbon (poudre)	0,96
Terre	0,92 à 0,96	Laque	0,80 à 0,95
Eau	0,92 à 0,96	Laque (mate)	0,97
Glace	0,96 à 0,98	Caoutchouc (noir)	0,94
Neige	0,83	Plastique	0,85 à 0,95
Verre	0,90 à 0,95	Bois	0,90
Céramique	0,90 à 0,94	Papier	0,70 à 0,94
Marbre	0,94	Oxydes de chrome	0,81
Plâtre	0,80 à 0,90	Oxydes de cuivre	0,78
Mortier	0,89 à 0,91	Oxydes de fer	0,78 à 0,82
Brique	0,93 à 0,96	Textiles	0,90

9. Pièces de rechange

Désignation	Description
TMDT 2-30	Sonde de contact
TDTC 1/X	Mallette de transport sans insert, dimension X

Inhalt

CE Konformitätserklärung	56
Sicherheitshinweise	57
1. Einführung	58
2. Merkmale	59
3. Technische Daten	60
4. Beschreibung des vorderen Bedienfeldes und der Tasten	62
5. Menü-Übersicht	65
5.1 Messmodi	65
5.2 IR-Kameramodus	66
5.2.1 Aufnahmen von Bildern	67
5.2.2 Aufnahmen von Videos	67
5.3 IR-Messmodi	67
5.4 Taupunkt-Modus	68
5.5 Datenprotokollierer	68
5.6 Galerie	69
5.7 Einstellungen	70
5.7.1 Sprachen	71
5.7.2 Datum/Uhrzeit	71
5.7.3 Einheiten	71
5.7.4 Speicher	72
5.7.5 Signalton	72
5.7.6 Automatische Bildschirmabschaltung	73
5.7.7 Automatische Abschaltung	73
5.7.8 System-Werkseinstellungen	73
6. Messeinstellungen	74
6.1 Emissivitätseinstellung	75
6.2 Hohe Alarmstufe	75
6.3 Niedrige Alarmstufe	76
6.4 Laser	76
6.5 Auto-Modus	76
6.6 Max/Min	77
6.7 Durchschnitt/Dif	77
6.8 Umgebungs-TEMP/% RF	77
6.9 Taupunkt-/Feuchttemperatur	77
6.10 Messung der Kontakttemperatur mit Sondentyp K	77
6.11 Farbe	78
7. Hinweise	79
8. Emissivitätstabelle	80
9. Ersatzteile	80

Übersetzung der Original-Bedienungsanleitungen

CE Konformitätserklärung

Die,
SKF Maintenance Products
Kelvinbaan 16
3439 MT Nieuwegein
Niederlande

erklärt hiermit, dass das:

SKF Infrarot-Thermometer TKTL 40

in Übereinstimmung mit der EU-Richtlinie
EMC DIRECTIVE 2004/108/EC gemäß harmonisierter Norm für
EN 55022:2006+A1:2007
EN 55024:1998+A1:2001+A2:2003
EN 61326-1:2006
EN 61326-2-1:2006
IEC 61326-1:2005
IEC 61326-2-1:2005

konstruiert und hergestellt wurde.

Der Laser ist gemäß EU-Norm EN 60825-1:1994/A2:2001/
A1:2002

EUROPÄISCHE ROHS-RICHTLINIE 2011/65/EU
klassifiziert.

Nieuwegein, in den Niederlanden,
November 2013



Sébastien David
Manager Product Development and Quality



Sicherheitshinweise

- Bitte lesen Sie sich die Bedienungsanleitung genau durch und beachten Sie bitte alles.
- Schauen Sie niemals direkt in die Laserquelle.
- Richten Sie die Laserstrahlen niemals in die Augen anderer Personen.
- Öffnen Sie niemals das Messgerät.
- Alle Reparaturen sind von einer SKF-Werkstatt durchzuführen.



1. Einführung

Beim SKF TKTL 40 handelt es sich um ein tragbares leichtes multifunktionales Messgerät zum sicheren Messen von Temperaturen aus der Ferne. Richten Sie das Messgerät einfach auf den zu messenden Gegenstand und betätigen Sie den Auslöser. Die Temperatur erscheint dann auf der Anzeige. Mit dem mitgelieferten Temperaturfühler können Benutzer auch Kontakttemperaturen messen.

Dieses Messgerät mit seinen umfangreichen Funktionen ist auch in der Lage, Bilder und Videos aufzuzeichnen, aus denen die Temperaturmessungen hervorgehen. Zudem können eine Reihe von Umgebungseigenschaften gemessen und angezeigt werden.



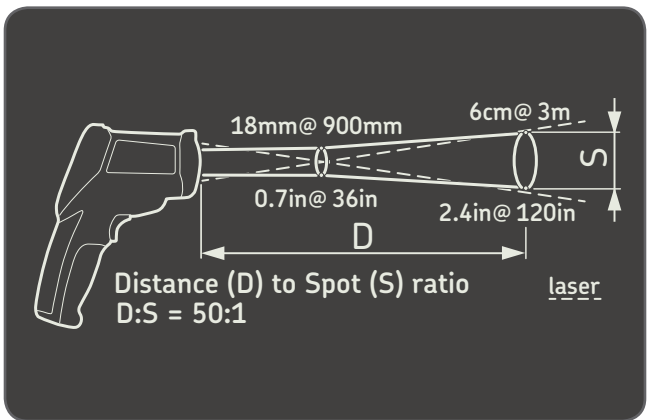
2. Merkmale

- 2,2 Zoll TFT LCD-Anzeige
- Digitalkamera mit 640×480 Pixeln
- Interner Speicher mittels Micro SD-Karte erweiterbar auf 8GB
- Bild (JPEG) und Video (MP4)
- Feuchtigkeit und Lufttemperatur
- Doppellaser-Zielerfassung
- Typ K Thermoelement-Temperaturfühler
- Einstellbare Emissivität
- Hohe Genauigkeit
- Schnelle Reaktionszeit
- Taupunkttemperatur und Feuchttemperatur

Distanz und Punktgröße

Nimmt die Distanz (D) zum Gegenstand zu, wird die Punktgröße (S) der mit dem TKTL 40 gemessenen Fläche größer.

Das Verhältnis zwischen der Distanz und jeder Einheit ist unten aufgelistet. Die Punktgröße gibt 90% der gemessenen Energie wieder.



3. Technische Daten

Allgemeines	
Anzeige	2,2 Zoll 320 × 240 Farb-LCD mit Hintergrundbeleuchtung
Angezeigte Auflösung	0,1° bis 1 000°, andernfalls
Emissivitätseinstellung	0,10–1,00
Hintergrundbeleuchtung	Immer an
Messmodi	Min, Max, Durchschnitt, Differential, Temperaturfühler/IR-Doppelanzeigen-Datenprotokollierer
HVAC-Funktionen	Feuchttemperatur, Taupunkt, Feuchtigkeit, Lufttemperatur
Alarmmodi	Hoch- und Niedrigtemperatur-Alarm mit akustischer Signalisierung
Foto- und Videomodus	640 × 480 Kamera, Bilder (JPEG) & Video (3GP)
Speicher	310 MB interner Speicher, mittels Micro-SD-Karte auf 8GB erweiterbar
PC-Anschluss	Ja, Mini USB-Kabel im Lieferumfang enthalten
Laserpointer	2 × eingebaute Laser der Klasse 2, ein/aus
Maximale Laserleistung	1 mW
Automatische Abschaltung aus	3 Minuten, einstellbar
Stativbefestigung	1/4" BSW

Infrarot-Temperaturmessung	
Distanz-auf-Punkt-Größe (D:S)	50:1
Temperaturbereich unter Verwendung von Infrarot	-50 bis +1 000 °C
Genauigkeit	20 bis 500 °C: ±1% des Messwerts oder 1 °C - je nachdem, was größer ist 500 bis 1 000 °C: ±1,5% des Messwerts -50 bis +20 °C: ±3,5 °C
Reaktionszeit	<300 ms
Spektrale Reaktionszeit	8–14 µm

Messung mit Temperaturfühler	
Temperatur unter Verwendung des Fühlers	-50 bis +1 370 °C
Kompatibilität des Temperaturfühlers	Type K
Temperaturfühler im Lieferumfang enthalten	TMDT 2-30, geeignet für den Einsatz bei bis zu 900 °C
Genauigkeit	0 bis 1 370 °C: ±0,5% des Messwerts ±1,5 °C -50 bis 0 °C: ±2,5 °C

Batterie und Leistung

Batterie	1 × aufladbare Li-Ion-Batterie 3,7 V 1 400 mAh 5,2 W
Betriebszeit	4 Stunden Dauergebrauch
Netzadapter	100–240 V/50–60 Hz AC, Kompaktladegerät mit Steckern für Europa, USA, Vereinigtes Königreich und Australien
Ladezeit	2 Stunden mit Netzadapter

Größe und Gewicht

Produktabmessungen	205 × 155 × 62 mm
Produktgewicht	500 g
Abmessungen des Transportkoffers	530 × 85 × 180 mm
Gesamtgewicht (einschl. Koffer)	1,7 kg

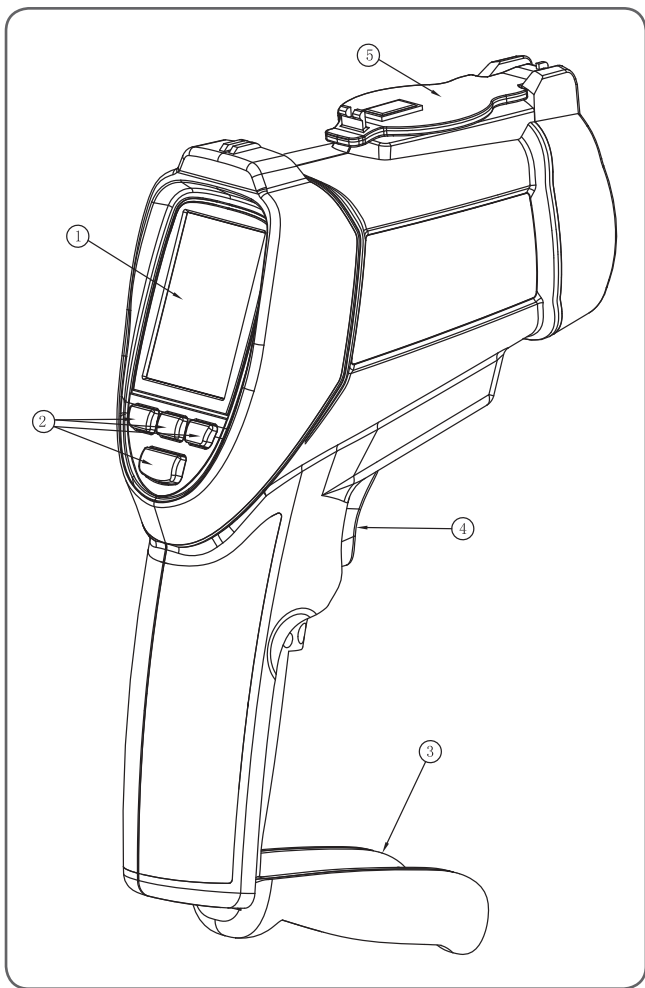
Betriebsanforderungen

Anwendungs- Temperaturbereich	0 bis 50 °C
Aufbewahrungs- Temperaturbereich	–10 bis +60 °C
Luftfeuchtigkeit	10 bis 90%, nicht kondensierend
Schutzart	IP 40

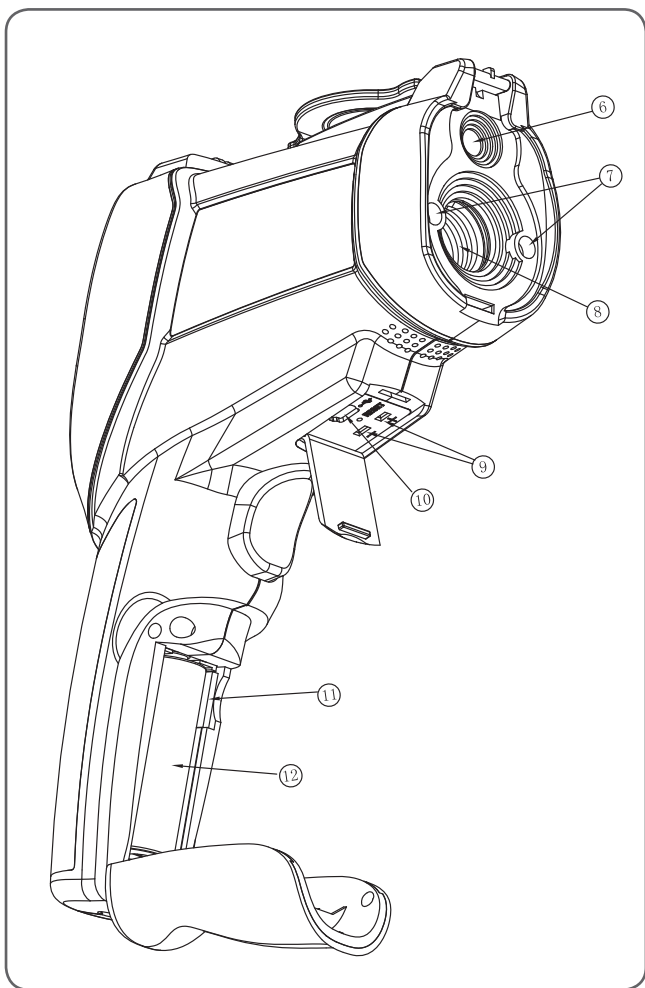
Inhalt des Koffers

1 × Infrarot-Thermometer TKTL 40
1 × Temperaturfühler TMDT 2-30
1 × AC-Batterieladegerät
1 × Ministativ
1 × Anschlusskabel Mini-USB auf USB
1 × Gedruckte Bedienungsanleitung

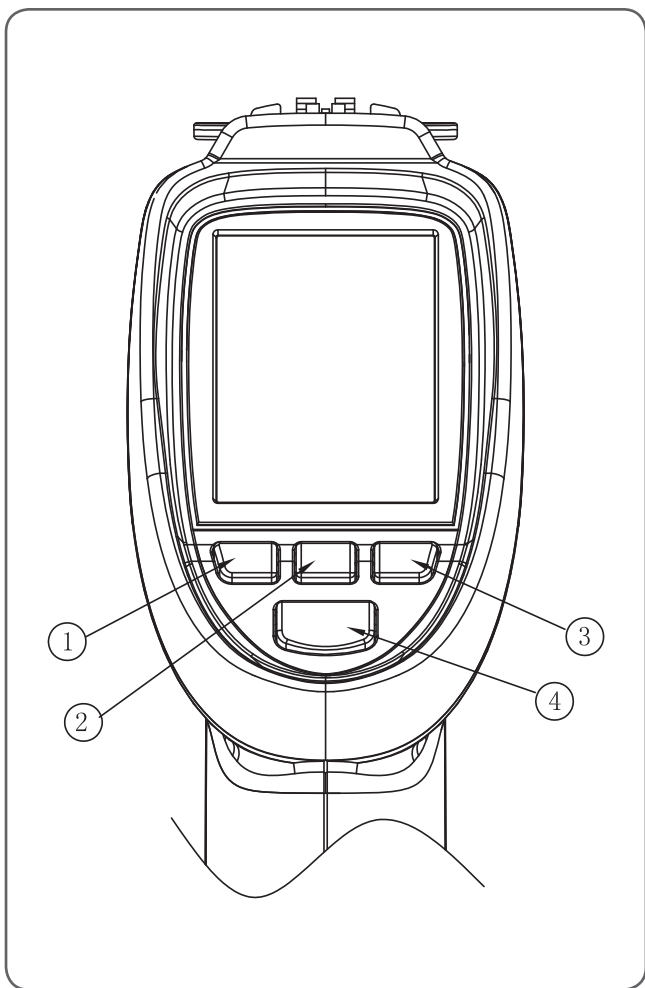
4. Beschreibung des vorderen Bedienfeldes und der Tasten



Posten	Beschreibung
1	LCD-Anzeige
2	Tasten
3	Batteriedeckel
4	Messauslöser
5	Magnetischer Linsendeckel



Posten	Beschreibung
6	Optische Kamera
7	Laser
8	IR-Sensor
9	Fassung für Typ K Thermoelement
10	Mini-USB-Anschluss für Computer- und Netzadapter-Verbindung
11	Micro SD-Speicherkartensteckplatz
12	Batterie



Posten	Beschreibung
1	Aufwärts oder Bildtaste
2	Einschalt-/ESC-Taste
3	Abwärts oder Videotaste
4	Modus-/Enter-Taste

5. Menü-Übersicht

Einschalten der Kamera:

- Drücken und halten Sie die Einschalttaste, bis die LCD-Anzeige an ist, um die Kamera einzuschalten.
- Drücken und halten Sie die Einschalttaste, bis die LCD-Anzeige aus ist, um die Kamera auszuschalten.











5.1 Messmodi

Das TKTL 40 hat sechs Modi:

Drücken Sie auf die ESC-Taste, damit die sechs Modi erscheinen.
Verwenden Sie die AUF- oder AB-Taste, um einen Modus zu wählen.



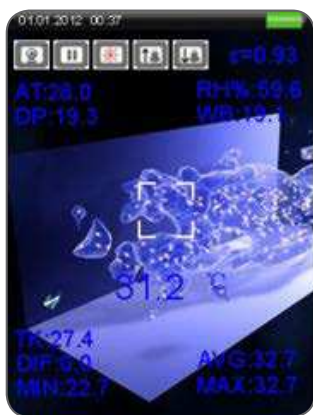
Posten	Beschreibung
IR CAM (IR-Kamera)	Messen der IR-Temperatur und anderer Parameter mittels Kamerabild
IR Measure (IR-Messung)	Messen der IR-Temperatur und anderer Parameter ohne ein Kamerabild
Dewpoint (Taupunkt)	Taupunkt-Visualisierungsmodus
Datalogger (Datenprotokollierer)	Datenprotokollier-Modus
Gallery (Galerie)	Anzeige der aufgenommenen Bilder, Datenprotokolle und Videos
Settings (Einstellungen)	Ändern der Kameraeinstellungen

Symbol	Beschreibung
	Kamera-Modus
	IR-Modus
	Taupunkt-Modus
	Laser
	Scannen
	Hoch-Alarm
	Hoch-Alarm in Funktion
	Niedrig-Alarm
	Niedrig-Alarm in Funktion
	Halten

5.2 IR-Kameramodus

Wird zur Messung von IR-Temperatur, Lufttemperatur, Luftfeuchtigkeit, Taupunkttemperatur und Feuchttemperatur mit der Kamera verwendet. Folgendes kann angezeigt werden: IR MAX Temp., MIN Temp., DIF Temp., Durchschn. Temp.

Drücken und halten Sie den Auslöser, um die Temperatur zu messen. Nun können Sie, Bilder und Videos aufnehmen.



5.2.1 Aufnahmen von Bildern

Drücken Sie auf die ▲ Taste, um ein Bild aufzunehmen.
Drücken Sie anschließend erneut auf die ▲ Taste,
um das Bild zu speichern oder mit der ▼ Taste zu löschen.



5.2.2 Aufnahmen von Videos

Drücken Sie auf die ▼ Taste, um die Aufzeichnung eines Videos zu
beginnen.
Drücken Sie erneut auf die ▼ Taste, um die Aufzeichnung zu beenden
und das Video zu speichern.

Zoomfunktion:

Drücken Sie lange auf die ▼ Taste, um zu vergrößern.
Drücken Sie lange auf die ▲ Taste, um zu verkleinern.

5.3 IR-Messmodi

Wird zur Messung von IR-Temperatur, Lufttemperatur, Luftfeuchtigkeit,
Taupunkttemperatur und Feuchttemperatur ohne Kamera verwendet.
Folgendes kann angezeigt werden: IR MAX Temp., MIN Temp., DIF Temp.,
Durchschn. Temp.

Drücken und halten Sie den Auslöser, um die Temperatur zu messen.



5.4 Taupunkt-Modus

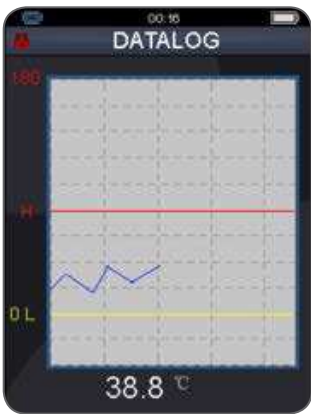


Drücken und halten Sie den Auslöser, um die Messung zu starten.



Der Prozentsatz gibt an, wie weit die gemessene IR-Temperatur von der Taupunkttemperatur entfernt ist. Bei 100%, hat die gemessene IR-Temperatur den Taupunktwert.

5.5 Datenprotokollierer



Drücken Sie ein Mal auf den Auslöser, um die Datenprotokollierungsmessungen zu starten. Drücken Sie auf die ESC-Taste, um den DATENPROTOKOLLIERER-Modus zu beenden und die Daten automatisch im internen Speicher oder der Speicherkarte zu speichern.

Hinweis:

Legen Sie das Intervall für die Messaufzeichnung in der Einstellung "Protokollierzeit" fest. Die Protokolle können in der Galerie sichtbar gemacht oder über den USB-Anschluss auf einen Computer geladen werden.

5.6 Galerie



Posten	Beschreibung
Video	Wiedergabe der gespeicherten Videos
Picture (Bild)	Anzeige der gespeicherten Bilder
Logs (Protokolle)	Anzeige der Datenprotokolle

- Drücken Sie die AUF- und ABWÄRTS-Tasten, um Bilder, Videos oder Protokolle zu wählen. Drücken Sie dann die ENTER-Taste.
- **Videowiedergabe:**
Drücken Sie die ENTER-Taste, um eine Pause einzulegen oder um wiederzugeben.
Drücken Sie zum Beenden die ESC-Taste.



- **Fotoansicht:**
Drücken Sie die ENTER-Taste, um das Menü zu öffnen. Drücken Sie die AUFWÄRTS-Taste, um die vorherige Bilddatei zu betrachten. Drücken Sie die ABWÄRTS-Taste, um die nächste Bilddatei zu betrachten.



- **Löschen eines Bildes:**
Halten Sie die ENTER-Taste gedrückt, bis das Löschrmenü erscheint.
- **Löschen eines Videos:**
Halten Sie die ENTER-Taste auf der Dateiliste gedrückt, bis das Löschrmenü erscheint.

5.7 Einstellungen



Symbol	Einstellungen
	Sprachen
	Datum/Uhrzeit
	Temperatureinheiten
	Speicher
	Signalton bei Tastendruck
	Automatische Bildschirmabschaltung
	Automatische Abschaltung
	System-Werkseinstellungen

5.7.1 Sprachen



Drücken Sie die AUF- und ABWÄRTS-Taste, um die Sprache zu wählen. Drücken Sie zum Verlassen des Menüs und zur Auswahl der Sprache die ESC-Taste.

5.7.2 Datum/Uhrzeit



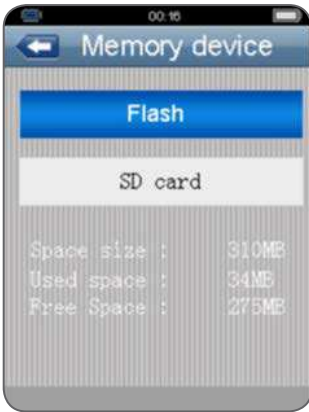
Drücken Sie die AUF- UND ABWÄRTS-Taste, um das Datum oder die Uhrzeit zu wählen. Drücken Sie dann die ENTER-Taste, um das Menü aufzurufen. Drücken Sie die AUF- und ABWÄRTS-Taste, um den Wert einzustellen. Drücken Sie zum Verlassen des Menüs und zum Speichern der Einstellung die ESC-Taste.

5.7.3 Einheiten



Drücken Sie die AUF- und ABWÄRTS-Taste, um die Einheiten zu wählen. Drücken Sie zum Verlassen des Menüs und zum Speichern der Einstellung die ESC-Taste.

5.7.4 Speicher



Drücken Sie die AUF- und ABWÄRTS-Taste, um das Speichergerät auszuwählen. Drücken Sie zur Eingabe die ENTER-Taste. Es kann der interne Speicher oder die Speicherkarte gewählt werden.



5.7.5 Signalton



Drücken Sie die AUF- und ABWÄRTS-Taste, um den Signaltonstatus zu wählen. Drücken Sie zum Verlassen des Menüs und zum Speichern des gewählten Signaltonstatus die ESC-Taste.

5.7.6 Automatische Bildschirmabschaltung



Drücken Sie die AUF- und ABWÄRTS-Taste, um die Zeit für die automatische Abschaltung des Bildschirms zu wählen oder um die Funktion außer Kraft zu setzen. Drücken Sie zum Speichern und Verlassen des Menüs die ESC-Taste.

5.7.7 Automatische Abschaltung



Drücken Sie die AUF- und ABWÄRTS-Taste, um die Zeit für die automatische Abschaltung zu wählen oder um auf die automatische Abschaltung zu verzichten. Drücken Sie zum Verlassen des Menüs und zum Speichern der Einstellung die ESC-Taste.

5.7.8 System-Werkseinstellungen



Wählen Sie Yes (Ja), um alle Einstellungen zurückzusetzen. Die gespeicherten Daten sind nicht davon betroffen.

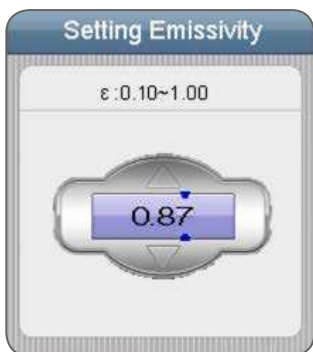
6. Messeinstellungen

Drücken Sie in einem beliebigen Modus die ENTER-Taste, um das Menü aufzurufen.



Posten	Beschreibung
Emissivity (Emissivität)	Einstellung der Emissivität
Alarm High (Alarm hoch)	Einstellung eines Hochtemperaturalarms
Alarm Low (Alarm niedrig)	Einstellung eines Niedrigtemperaturalarms
Laser	Aktivierung oder Deaktivierung des Lasers
Auto Mode (Automatikmodus)	Bei Aktivierung kontinuierliche Messung
Max/Min	Anzeige der maximalen oder minimalen IR-Temperatur
Average/Dif (Durchschnitt/Diff)	Anzeige des Durchschnitts oder der Differenz der IR-Temp.
Ambient temp /% RH (Umgebungstemp./% RF)	Anzeige der Lufttemperatur und relativen Luftfeuchtigkeit
Dewpoint/wet bulb (Taupunkt/Feuchttemp.)	Anzeige der Taupunkt- und Feuchttemperatur
Type k (Typ K)	Aktivierung oder Deaktivierung des Typ K-Eingangs
Colour (Farbe)	Farbe des Schriftsatzes

6.1 Emissivitätseinstellung



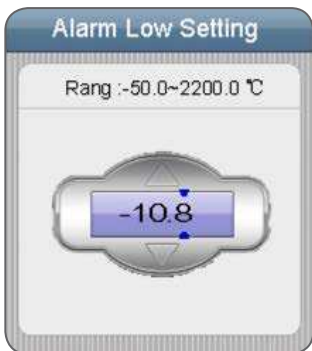
Drücken Sie auf der ersten Funktion die ENTER-Taste, um die Emissivität einzustellen. Drücken Sie auf die AUF- und ABWÄRTS-Taste, um den Wert einzustellen. Drücken Sie dann zur Bestätigung die ENTER-Taste. Drücken Sie die AUF- und ABWÄRTS-Taste, um die Emissivitäten der Materialien zu wählen. Drücken Sie zum Verlassen des Menüs und zum Speichern der Einstellung die ESC-Taste.

6.2 Hohe Alarmstufe



Drücken Sie die ENTER-Taste auf der ersten Reihe und verwenden Sie die AUF- und ABWÄRTS-Taste, um den Wert einzustellen. Drücken Sie zur Bestätigung die ENTER-Taste. Drücken Sie zum Verlassen und Speichern die ESC-Taste.

6.3 Niedrige Alarmstufe



Drücken Sie die ENTER-Taste auf der ersten Reihe und verwenden Sie die AUF- und ABWÄRTS-Taste, um den Wert einzustellen. Drücken Sie zur Bestätigung die ENTER-Taste. Drücken Sie zum Verlassen des Menüs und zum Speichern die ESC-Taste.

6.4 Laser



Aktiviert



Deaktiviert

Drücken Sie die ENTER-Taste, um den Laser zu aktivieren oder zu deaktivieren.

Drücken Sie zum Speichern die ESC-Taste.

6.5 Auto-Modus

Aktivieren Sie diese Funktion, um die kontinuierliche Messung der IR-Temperatur zu aktivieren.

6.6 Max/Min



Aktiviert



Deaktiviert

Drücken Sie zum Aktivieren oder Deaktivieren die ENTER-Taste.
Drücken Sie zum Verlassen des Menüs und zum Speichern die ESC-Taste.

6.7 Durchschnitt/Dif



Aktiviert



Deaktiviert

Drücken Sie zum Aktivieren oder Deaktivieren die ENTER-Taste.
Drücken Sie zum Verlassen des Menüs und zum Speichern die ESC-Taste.

6.8 Umgebungs-TEMP/% RF



Aktiviert



Deaktiviert

Drücken Sie zum Aktivieren oder Deaktivieren die ENTER-Taste.
Drücken Sie zum Verlassen des Menüs und zum Speichern die ESC-Taste.

6.9 Taupunkt-/Feuchttemperatur



Aktiviert



Deaktiviert

Drücken Sie zum Aktivieren oder Deaktivieren die ENTER-Taste.
Drücken Sie zum Verlassen des Menüs und zum Speichern die ESC-Taste.

6.10 Messung der Kontakttemperatur mit Sondentyp K



Aktiviert



Deaktiviert

Drücken Sie zum Aktivieren oder Deaktivieren die ENTER-Taste.
Drücken Sie zum Verlassen des Menüs und zum Speichern die ESC-Taste.

Hinweis:

Wird ein Temperaturfühler des Typs K mit dem TKTL 40 verbunden, wird die gemessene Temperatur automatisch angezeigt.

6.11 Farbe



Wählen Sie eine Farbe für den
Schriftsatz.



7. Hinweise

- **Wie funktioniert Infrarot?**

Infrarot-Thermometer messen die Oberflächentemperatur eines Gegenstandes. Die Optik des Messgeräts erfasst die ausgestrahlte, reflektierte und übertragene Energie, die auf einem Detektor gesammelt und fokussiert wird.

Die Elektronik des Messgeräts übersetzt die Informationen in einen Temperaturwert, der auf der Einheit angezeigt wird. Der Laser wird lediglich zum Zielen verwendet.

- **Sichtfeld**

Vergewissern Sie sich, dass das Ziel größer ist als die Punktgröße des Messgeräts. Je kleiner das Ziel, desto näher sollten Sie sich an diesem befinden. Ist die Genauigkeit kritisch, vergewissern Sie sich, dass das Ziel mindestens zweimal so groß wie die Punktgröße ist.

- **Distanz und Punktgröße**

Nimmt die Distanz (D) zum Gegenstand zu, wird die Punktgröße (S) der mit dem Messgerät gemessenen Fläche größer.

Siehe Abbildung am Anfang dieses Handbuchs.

- **Lokalisierung eines Hotspots**

Um einen Hotspot ausfindig zu machen, richten Sie das Thermometer auf die Fläche außerhalb des Bereiches von Interesse. Fahren Sie dann mit einer Auf- und Ab-Bewegung über die Fläche, bis Sie den Hotspot lokalisiert haben.

- **Zur Erinnerung**

- Verwenden Sie das Messgerät nicht, um glänzende oder polierte Metallflächen zu messen (Edelstahl, Aluminium, usw.). Siehe Emissivität.

- Das Messgerät kann nicht durch transparente Oberflächen hindurch messen, wie beispielsweise Glas. Stattdessen wird die Oberflächentemperatur des Glases selbst gemessen.

- Dampf, Staub, Rauch, usw. können eine genaue Messung verhindern, da die Optik des Messgeräts blockiert wird.

- **Emissivität**

Emissivität ist ein Begriff, der zur Beschreibung der energieaussendenden Charakteristiken von Materialien dient. Die meisten organischen Materialien und lackierten oder oxidierten Oberflächen (90% der typischen Anwendungen) haben eine Emissivität von 0,95 (im Messgerät bereits voreingestellt). Ungenaue Messwerte resultieren aus der Messung von glänzenden oder polierten Metalloberflächen. Um dies auszugleichen, decken Sie die zu messende Fläche mit Abklebeband oder schwarzer Farbe ab. Geben Sie dem Klebeband Zeit, um die gleiche Temperatur zu erreichen wie das Material darunter. Messen Sie die Temperatur des Klebebandes oder der lackierten Fläche.

8. Emissivitätstabelle

Substanz	Thermische Emissivität	Substanz	Thermische Emissivität
Asphalt	0,90 bis 0,98	Stoff (schwarz)	0,98
Beton	0,94	Menschliche Haut	0,98
Zement	0,96	Leder	0,75 bis 0,80
Sand	0,90	Anthrazit (Pulverbeschichtung)	0,96
Erde	0,92 bis 0,96	Lack	0,80 bis 0,95
Wasser	0,92 bis 0,96	Lack (matt)	0,97
Eis	0,96 bis 0,98	Gummi (schwarz)	0,94
Schnee	0,83	Plastik	0,85 bis 0,95
Glas	0,90 bis 0,95	Bauholz	0,90
Keramik	0,90 bis 0,94	Papier	0,70 bis 0,94
Marmor	0,94	Chromoxide	0,81
Gips	0,80 bis 0,90	Kupferoxide	0,78
Mörtel	0,89 bis 0,91	Eisenoxide	0,78 bis 0,82
Mauerwerk	0,93 bis 0,96	Textilien	0,90

9. Ersatzteile

Bezeichnung	Beschreibung
TMDT 2-30	Temperaturfühler
TDTC 1/X	Transportkoffer ohne Inlay, Größe X

Índice

Declaración de conformidad CE	82
Recomendaciones de seguridad.....	83
1. Introducción	84
2. Características.....	85
3. Datos técnicos	86
4. Descripción del panel frontal y los botones.....	88
5. Descripción general del menú	91
5.1 Modos de medición.....	91
5.2 Modo CAM IR	92
5.2.1 Hacer fotografías.....	93
5.2.2 Grabar vídeos.....	93
5.3 Modo de medición IR.....	93
5.4 Modo PUNTO DE ROCÍO.....	94
5.5 Registro de datos.....	94
5.6 Galería	95
5.7 Ajustes	96
5.7.1 Idiomas.....	97
5.7.2 Fecha/hora	97
5.7.3 Unidades de temperatura.....	97
5.7.4 Memoria	98
5.7.5 Pitido.....	98
5.7.6 Autoapagado de pantalla.....	99
5.7.7 Autoapagado.....	99
5.7.8 Ajustes predeterminados del sistema.....	99
6. Ajustes de medición	100
6.1 Ajuste de emisividad	101
6.2 Alarma alta.....	101
6.3 Alarma baja.....	102
6.4 Láser	102
6.5 Modo auto.....	102
6.6 Máx./Mín.....	103
6.7 Media/Dif.	103
6.8 TEMP. ambiente/% HR.....	103
6.9 Punto de rocío/bulbo húmedo.....	103
6.10 Medición con sonda de temperatura de contacto tipo K.....	103
6.11 Color	104
7. Notas	105
8. Tabla de emisividad	106
9. Piezas de repuesto.....	106

Traducción de las instrucciones originales

Declaración de conformidad CE

SKF Maintenance Products
Kelvinbaan 16
3439 MT Nieuwegein
Países Bajos

declara que el siguiente producto:

Termómetro infrarrojo SKF TKTL 40

ha sido diseñado y fabricado de acuerdo con la directiva de compatibilidad electromagnética (EMC) 2004/108/EC, y tal y como se indica en la normativa armonizada para:

EN 55022:2006+A1:2007

EN 55024:1998+A1:2001+A2:2003

EN 61326-1:2006

EN 61326-2-1:2006

IEC 61326-1:2005

IEC 61326-2-1:2005

El láser está clasificado de acuerdo con las normas europeas
EN 60825-1:1994/A2:2001/A1:2002

LA DIRECTIVA EUROPEA ROHS (sobre restricciones en la utilización de determinadas sustancias peligrosas) 2011/65/UE

Nieuwegein, Países Bajos,
Noviembre 2013



Sébastien David
Jefe de desarrollo de producto y calidad



Recomendaciones de seguridad

- Lea y siga siempre las instrucciones de uso.
- Nunca mire directamente al punto de origen del láser.
- No apunte nunca a los ojos con el láser.
- Nunca abra el equipo.
- Todos los trabajos de reparación deben ser efectuados por SKF.



1. Introducción

El SKF TKTL 40 es un instrumento multiuso, ligero y portátil que sirve para medir temperaturas a una distancia prudencial. Para que ésta aparezca en pantalla, basta con apuntar y presionar el disparador. Gracias a la sonda que se suministra junto con el equipo, el usuario podrá también medir las temperaturas por contacto. Además, el instrumento cuenta con otras muchas funciones que permiten sacar fotos y vídeos de estas mediciones, y medir o mostrar una serie de propiedades medioambientales.



2. Características

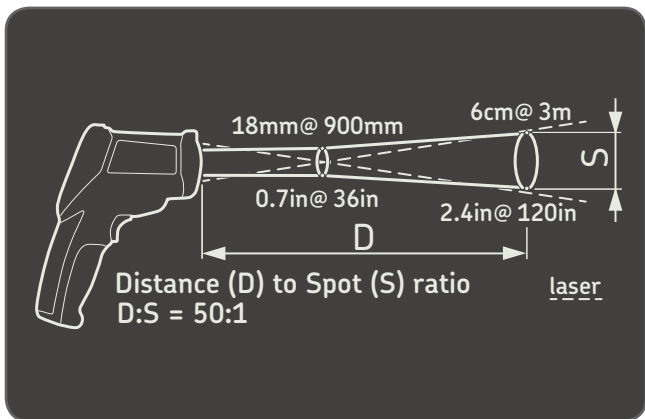
- Pantalla LCD TFT de 2,2"
- Cámara digital de 640 × 480 píxeles
- Memoria interna ampliable a 8GB con tarjeta Micro SD
- Imagen (JPEG) y vídeo (MP4)
- Humedad y temperatura del aire
- Doble puntero láser
- Sonda termopar de tipo K
- Emisividad ajustable
- Alta precisión
- Tiempo de repuesta rápido
- Temperatura de punto de rocío y temperatura de bulbo húmedo

Distancia y tamaño de la superficie que puede medir el sensor infrarrojo

A medida que aumenta la distancia (D) del objeto, aumenta también el tamaño de la superficie del mismo (S) que puede medir el TKTL 40.

A continuación, se incluye un diagrama con la relación entre la distancia y cada unidad.

El tamaño de la superficie concentra el 90% de la energía medida.



3. Datos técnicos

Generales	
Pantalla	LCD a color de 2,2", 320 × 240 con retroiluminación
Resolución	0,1° hasta 1 000°, de lo contrario 1°
Ajuste de emisividad	0,10–1,00
Pantalla retroiluminada	Siempre activada
Modos de medición	Mín., máx., medio, diferencial, dual sonda/infrarrojo
Funciones de calefacción, ventilación y aire acondicionado (HVAC)	Bulbo húmedo, punto de rocío, humedad, temperatura del aire
Modos de alarma	Alto o bajo con señal de advertencia sonora
Modo de fotografía y vídeo	Cámara de 640 × 480 píxeles, imágenes (JPEG) y vídeo (3GP)
Memoria	Memoria interna de 310 MB, ampliable a 8GB con tarjeta Micro SD
Conexión a PC	Sí, cable mini USB incluido
Puntero láser	2 × láseres integrados de clase 2, encendido/apagado
Potencia máxima del láser	1 mW
Autoapagado	En 3 minutos, programable
Soporte de trípode	1/4" BSW

Medición de la temperatura por infrarrojos	
Proporción distancia al punto (D:S)	50:1
Intervalo de temperatura usando infrarrojos	–50 a +1 000 °C (–58 a +1 832 °F)
Precisión	20 a 500 °C: ±1% de la lectura o 1 °C (1,8 °F), lo que sea mayor 500 a 1 000 °C: ±1,5% de la lectura –50 a +20 °C: ±3,5 °C (6,3 °F)
Tiempo de respuesta	<300 ms
Respuesta espectral	8–14 μm

Medición con sonda de contacto	
Medición con sonda	-50 a +1 370 °C (-58 a +2 498 °F)
Compatibilidad de la sonda	Tipo K
Sonda suministrada	TMDT 2-30, apta para temperaturas de hasta 900 °C (1 650 °F)
Precisión	0 a 1 370 °C: ±0,5% de la lectura ±1,5 °C (±2,7 °F) -50 a 0 °C: ±2,5 °C (4,5 °F)

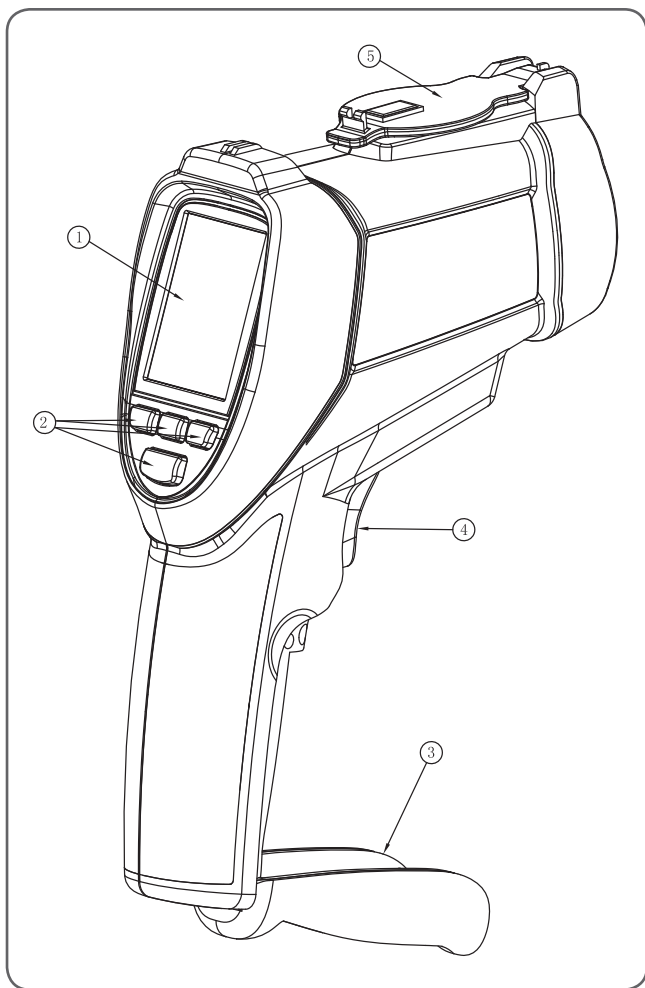
Batería y alimentación	
Batería	1 × batería recargable de ión litio 3,7 V 1 400 mAh 5,2 W
Duración	Hasta 4 horas de uso continuo
Adaptador de potencia	Cargador compacto de CA de 100–240 V/50–60 Hz con adaptadores europeos, para Estados Unidos, Reino Unido y Australia
Tiempo de carga	2 horas con adaptador de CA

Tamaño y peso	
Dimensiones del producto	205 × 155 × 62 mm (8.1 × 6.1 × 2.4 pulg.)
Peso del producto	500 g (1.1 lb)
Dimensiones del maletín	530 × 85 × 180 mm (20.9 × 3.4 × 7.0 pulg.)
Peso total (incl. maletín)	1,7 kg (3.8 lb)

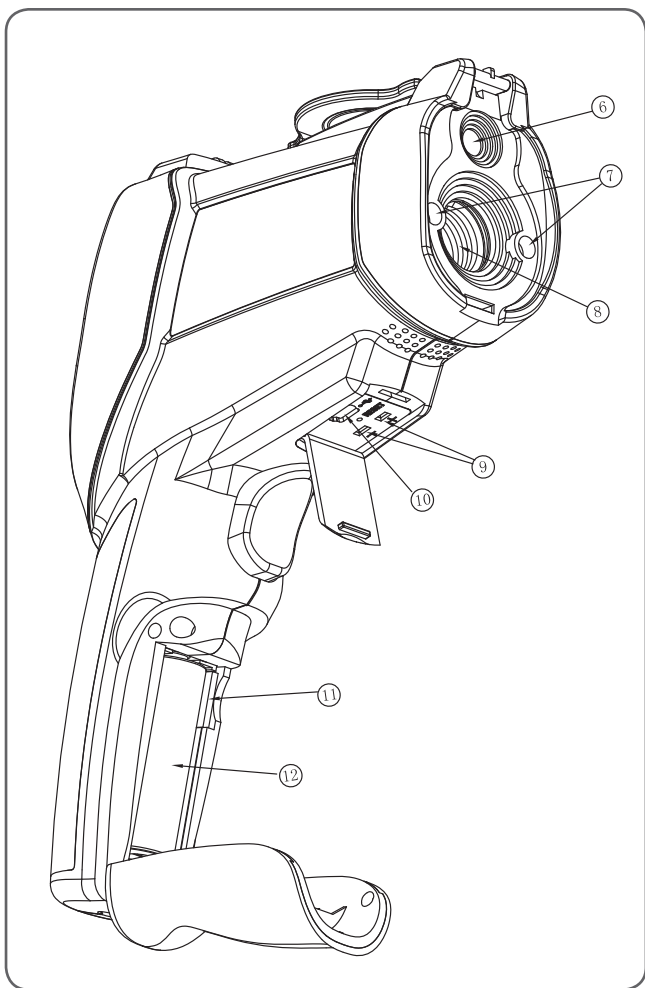
Requisitos de funcionamiento	
Temperatura de funcionamiento	0 a 50 °C (32 a 120 °F)
Temperatura de almacenamiento	-10 a +60 °C (-4 a +150 °F)
Humedad relativa	10 a 90% de HR sin condensación
Clasificación IP	IP 40

Contenido del maletín	
1 × termómetro de infrarrojos TKTL 40	
1 × sonda de contacto TMDT 2-30	
1 × cargador de pilas de CA	
1 × mini trípode	
1 × cable de conexión mini USB a USB	
1 × instrucciones de uso impresas	

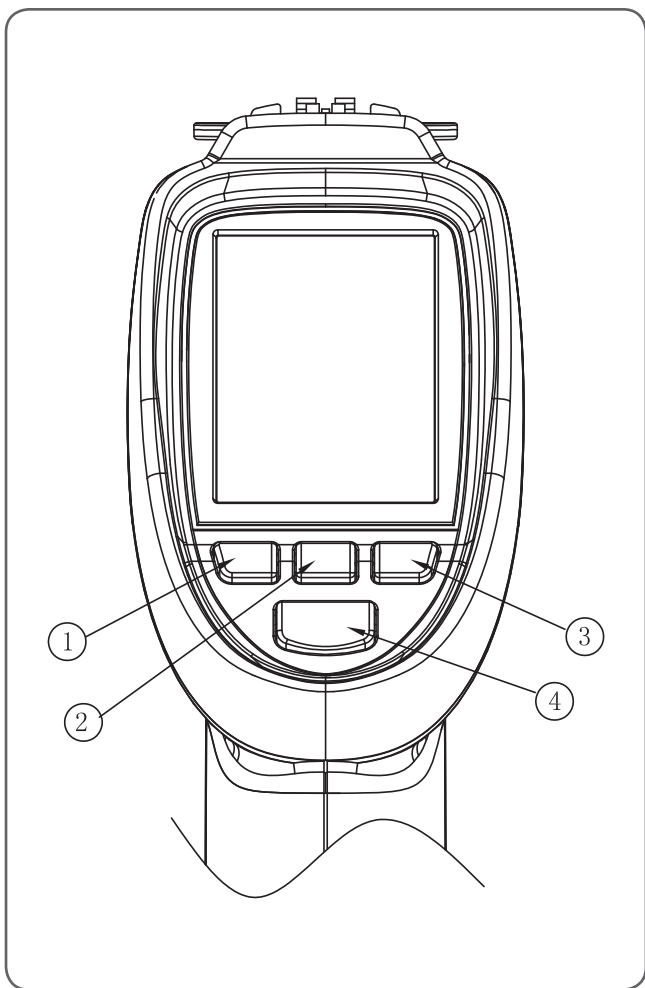
4. Descripción del panel frontal y los botones



Elemento	Descripción
1	Pantalla LCD
2	Botones
3	Tapa de la batería
4	Disparador de medición
5	Tapa del objetivo con cierre magnético



Elemento	Descripción
6	Cámara visual
7	Láseres
8	Sensor de IR
9	Toma de termopar tipo K
10	Conector mini USB para ordenador y adaptador de corriente
11	Puerto de tarjeta de memoria Micro SD
12	Batería



Elemento	Descripción
1	Botón Arriba o Fotografía
2	Botón de Encendido/Esc
3	Botón Abajo o Vídeo
4	Botón Modo/Enter

5. Descripción general del menú

Encendido de la cámara:

- Para encender la cámara, mantenga pulsado el botón de encendido hasta que la pantalla LCD se encienda.
- Para apagar la cámara, mantenga pulsado el botón de encendido hasta que la pantalla LCD se apague.

5.1 Modos de medición

El TKTL 40 tiene seis modos de medición:

Pulse el botón ESC para ver los seis modos. Utilice los botones ARRIBA o ABAJO para seleccionar uno.



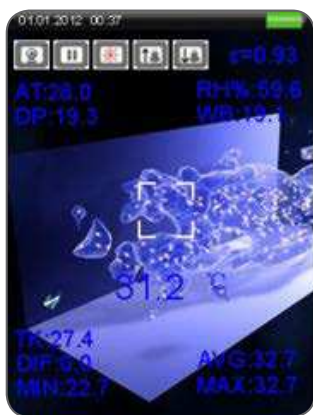
Elemento	Descripción
IR CAM	Mide la temperatura IR y otros parámetros, y proporciona una imagen de cámara digital
IR Measure	Mide la temperatura IR y otros parámetros sin proporcionar imagen digital alguna
Dewpoint	Modo de visualización del punto de rocío
Datalogger	Modo para el registro de datos
Gallery	Muestra fotografías, registros de datos y vídeos grabados
Settings	Modifica los ajustes de la cámara

Símbolo	Descripción
	Modo CAM
	Modo IR
	Modo PUNTO DE ROCÍO
	Láser
	Barrido
	Alarma alta
	Alarma alta activa
	Alarma baja
	Alarma baja activa
	Pausa

5.2 Modo CAM IR

Se utiliza para medir, y registrar con la cámara, la temperatura IR, la temperatura del aire, la humedad del aire, la temperatura del punto de rocío y la temperatura de bulbo húmedo.

En el modo IR, puede mostrar las temperaturas máxima, mínima, media y diferencial. Mantenga pulsado el disparador para medir la temperatura. Esto permite tomar fotografías y vídeos.



5.2.1 Hacer fotografías

Pulse el botón ▲ para sacar una fotografía, y luego púlselo de nuevo para guardarla. Si lo que quiere es borrarla, pulse el botón ▼ en su lugar.



5.2.2 Grabar vídeos

Pulse el botón ▼ para empezar a grabar un vídeo.
Pulse este mismo botón de nuevo para detener la grabación y guardar el vídeo.

Función de zoom:

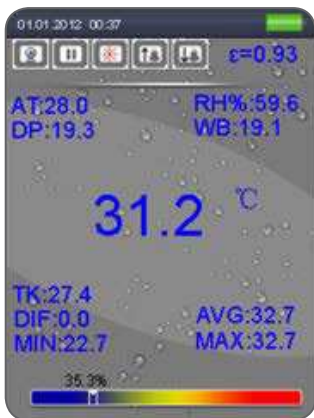
Pulse de manera prolongada el botón ▼ para alejar.
Pulse de manera prolongada el botón ▲ para acercar.

5.3 Modo de medición IR

Se utiliza para medir, sin imagen de la cámara, la temperatura IR, la temperatura del aire, la humedad del aire, la temperatura del punto de rocío y la temperatura de bulbo húmedo.
Puede mostrar las temperaturas por infrarrojos máxima, mínima, media y diferencial. Mantenga pulsado el disparador para medir la temperatura.



5.4 Modo PUNTO DE ROCÍO

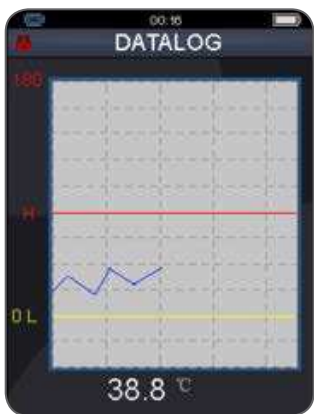


Mantenga pulsado el disparador para iniciar la medición.



El porcentaje muestra lo cerca que la temperatura IR está de la temperatura del punto de rocío. Cuando la escala está al 100%, la medición de la temperatura IR marca el punto de rocío.

5.5 Registro de datos



Pulse el disparador una vez para que el registrador de datos empiece a anotar las mediciones. Pulse el botón ESC para salir del modo de REGISTRO DE DATOS y guardar automáticamente los datos en la memoria interna o la tarjeta de memoria.

Nota:

Defina el intervalo de grabación configurando el tiempo de registros. Los registros pueden visualizarse desde la galería o descargarse en un ordenador mediante la conexión USB.

5.6 Galería



Elemento	Descripción
Video	Reproduce los vídeos guardados
Picture	Muestra las fotografías guardadas
Logs	Muestra los registros de datos

- Pulse los botones ARRIBA y ABAJO para seleccionar Picture (fotografía), Video (vídeo) o Logs (registros). Luego pulse el botón ENTER.
- **Reproducción de vídeo:**
Pulse el botón ENTER para poner en pausa o reproducir.
Pulse el botón Esc para salir.











- **Visualización de fotografías:**
Pulse el botón ENTER para abrir el menú; pulse el botón ARRIBA para ir a la fotografía anterior; pulse el botón ABAJO para ir a la fotografía siguiente.



- **Eliminar una fotografía:**
Mantenga pulsado el botón ENTER hasta que aparezca el menú eliminar.
- **Eliminar un vídeo:**
Mantenga pulsado el botón ENTER sobre la lista de archivos hasta que aparezca el menú eliminar.

5.7 Ajustes



Símbolo	Ajustes
	Idiomas
	Fecha/Hora
	Unidades de temperatura
	Memoria
	Pitido cuando se pulsa un botón
	Autoapagado de pantalla
	Autoapagado
	Ajustes predeterminados del sistema

5.7.1 Idiomas



Pulse los botones ARRIBA y ABAJO para seleccionar el idioma; pulse el botón ESC para salir y guardar la selección de idioma.

5.7.2 Fecha/hora



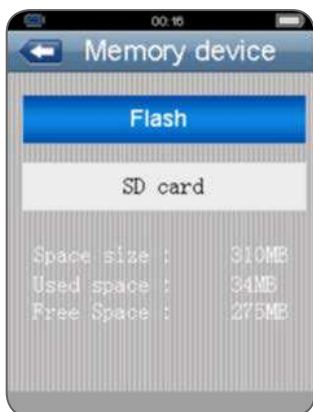
Pulse los botones ARRIBA y ABAJO para seleccionar la fecha o la hora. Luego pulse el botón ENTER para acceder al campo escogido; pulse los botones ARRIBA y ABAJO para ajustar el valor; pulse el botón ESC para salir y guardar.

5.7.3 Unidades de temperatura

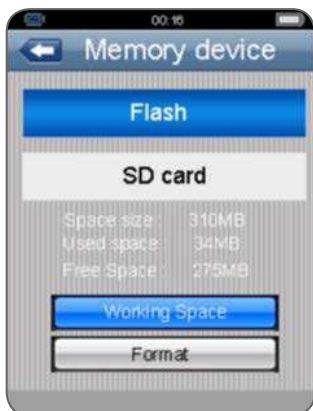


Pulse los botones ARRIBA y ABAJO para seleccionar las unidades; pulse el botón ESC para salir y guardar.

5.7.4 Memoria



Pulse los botones ARRIBA y ABAJO para escoger el dispositivo de memoria; pulse el botón ENTER para acceder al dispositivo elegido. Es posible seleccionar la memoria interna o la tarjeta de memoria.



5.7.5 Pitido



Pulse los botones ARRIBA y ABAJO para seleccionar el estado del pitido; pulse el botón ESC para salir y guardar la selección.

5.7.6 Autoapagado de pantalla



Pulse los botones ARRIBA y ABAJO para seleccionar el tiempo de autoapagado de pantalla o desactivar la función. Pulse el botón ESC para salir y guardar.

5.7.7 Autoapagado



Pulse los botones ARRIBA y ABAJO para seleccionar el tiempo de autoapagado; pulse el botón ESC para salir y guardar.

5.7.8 Ajustes predeterminados del sistema



Seleccione Yes (sí) para restablecer todos los ajustes. Los datos almacenados no se verán afectados.

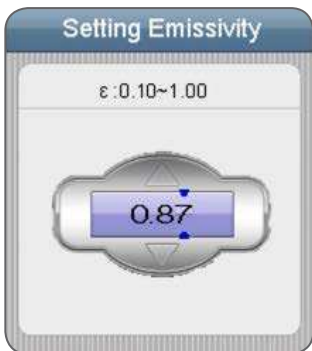
6. Ajustes de medición

En cualquier modo, pulse el botón ENTER en el menú.



Elemento	Descripción
Emissivity	Define la emisividad
Alarm High	Define una alarma de temperatura alta
Alarm Low	Define una alarma de temperatura baja
Laser	Activa o desactiva el láser
Auto Mode	Medición continua cuando se activa
Max/Min	Muestra la temperatura IR máx. o mín.
Average/Dif	Muestra la media o diferencia de temp. IR
Ambient temp /% RH	Muestra la temperatura del aire y la humedad relativa
Dewpoint/wet bulb	Muestra la temperatura del punto de rocío y de bulbo húmedo
Type k	Activa o desactiva la entrada de tipo K
Colour	Color de fuente

6.1 Ajuste de emisividad



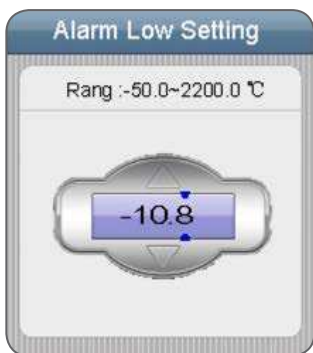
En el primer elemento, pulse el botón ENTER para ajustar la emisividad; pulse los botones ARRIBA y ABAJO para ajustar el valor, y luego pulse el botón ENTER para confirmar. Pulse los botones ARRIBA y ABAJO para seleccionar los niveles de emisividad de los materiales; pulse el botón ESC para salir y guardar.

6.2 Alarma alta



Pulse el botón ENTER en la primera fila y utilice los botones ARRIBA y ABAJO para ajustar el valor. Pulse el botón ENTER para confirmar; pulse el botón ESC para salir y guardar.

6.3 Alarma baja



Pulse el botón ENTER en la primera fila y utilice los botones ARRIBA y ABAJO para ajustar el valor. Pulse el botón ENTER para confirmar; pulse el botón ESC para salir y guardar.

6.4 Láser



Activar



Desactivar

Pulse el botón ENTER para activar o desactivar el láser.
Pulse el botón ESC para guardar.

6.5 Modo auto

Active este modo para habilitar la medición continua de la temperatura IR.

6.6 Máx./Mín.



Activar



Desactivar

Pulse el botón ENTER para activar o desactivar.
Pulse el botón ESC para salir y guardar.

6.7 Media/Dif.



Activar



Desactivar

Pulse el botón ENTER para activar o desactivar.
Pulse el botón ESC para salir y guardar.

6.8 TEMP. ambiente/% HR



Activar



Desactivar

Pulse el botón ENTER para activar o desactivar.
Pulse el botón ESC para salir y guardar.

6.9 Punto de rocío/bulbo húmedo



Activar



Desactivar

Pulse el botón ENTER para activar o desactivar.
Pulse el botón ESC para salir y guardar.

6.10 Medición con sonda de temperatura de contacto tipo K



Activar



Desactivar

Pulse el botón ENTER para activar o desactivar.
Pulse el botón ESC para salir y guardar.

Nota:

Cuando se conecta una sonda tipo K al TKTL 40, la temperatura medida se mostrará automáticamente.

6.11 Color



Selecione un color de fuente.



7. Notas

- **¿Cómo funcionan los infrarrojos?**

Los termómetros infrarrojos miden la temperatura superficial de un objeto. El detector, mediante el sistema óptico de la unidad, capta la energía emitida, reflejada y transmitida, y produce una señal. La electrónica de la unidad convierte esa información en una lectura de temperatura visible en pantalla. El láser se utiliza únicamente para apuntar.

- **Campo de visión**

Asegúrese de que el objetivo sea mayor que la proporción distancia al punto (D:S). Cuanto más pequeño sea el objetivo, más cerca deberá estar. Si necesita ser sumamente preciso, asegúrese de que el objetivo sea al menos dos veces mayor que el tamaño de punto.

- **Distancia y tamaño de punto**

A medida que aumenta la distancia (D) del objeto, aumenta también el tamaño de la superficie del mismo (S) que puede medir la unidad. Consulte el diagrama que se incluye al principio de este manual.

- **Localización de un punto caliente**

Para encontrar un punto caliente, apunte el termómetro fuera del área de interés. Luego pase el termómetro, moviéndolo de arriba abajo, por la zona que le interesa medir hasta que localice el punto caliente.

- **Cosas que recordar**

- No utilice la unidad para medir superficies metálicas brillantes o pulidas (acero inoxidable, aluminio, etc.). Consulte Emisividad.
- La unidad no puede medir a través de superficies transparentes como el cristal. En su lugar, medirá la temperatura superficial del cristal.
- El vapor, polvo, humo, etc. pueden impedir que la unidad realice una medición precisa al obstruir su sensor óptico.

- **Emisividad**

La emisividad es un término que se utiliza para describir las características de emisión de energía de los materiales. La mayor parte (90% de las aplicaciones típicas) de materiales orgánicos y superficies pintadas u oxidadas tienen una emisividad de 0,95 (valor prefijado en la unidad). Al medir superficies brillantes o de metal pulido se obtendrán lecturas inexactas. Para compensar, cubra la superficie que va a medir con cinta adhesiva o pintura negra. Deje pasar un tiempo para que la cinta alcance la misma temperatura que el material que está debajo de ella. Mida la temperatura de la cinta o la superficie pintada.

8. Tabla de emisividad

Superficie	Emisividad térmica	Superficie	Emisividad térmica
Asfalto	0,90 a 0,98	Paño (negro)	0,98
Hormigón	0,94	Piel humana	0,98
Cemento	0,96	Cuero	0,75 a 0,80
Arena	0,90	Carbón (polvo)	0,96
Tierra	0,92 a 0,96	Laca	0,80 a 0,95
Agua	0,92 a 0,96	Laca (mate)	0,97
Hielo	0,96 a 0,98	Goma (negra)	0,94
Nieve	0,83	Plástico	0,85 a 0,95
Cristal	0,90 a 0,95	Madera	0,90
Cerámica	0,90 a 0,94	Papel	0,70 a 0,94
Mármol	0,94	Óxidos de cromo	0,81
Yeso	0,80 a 0,90	Óxidos de cobre	0,78
Mortero	0,89 a 0,91	Óxidos de hierro	0,78 a 0,82
Ladrillo	0,93 a 0,96	Textiles	0,90

9. Piezas de repuesto

Referencia	Descripción
TMDT 2-30	Sonda de contacto
TDTC 1/X	Gaja de herramientas genérica sin forma interior, tamaño X

Indice

Dichiarazione di conformità CE.....	108
Norme di sicurezza.....	109
1. Introduzione	110
2. Caratteristiche	111
3. Dati tecnici	112
4. Descrizione del pannello anteriore e dei pulsanti.....	114
5. Panoramica dei menu	117
5.1 Modalità di misurazione	117
5.2 Modalità videocamera a infrarossi	118
5.2.1 Acquisizione delle immagini	119
5.2.2 Acquisizione di video.....	119
5.3 Modalità misurazione a infrarossi.....	119
5.4 Modalità PUNTO DI RUGIADA	120
5.5 Datalogger	120
5.6 Galleria	121
5.7 Impostazioni	122
5.7.1 Lingue.....	123
5.7.2 Data/Ora.....	123
5.7.3 Unità.....	123
5.7.4 Memoria	124
5.7.5 Cicalino.....	124
5.7.6 Chiusura automatica della schermata	125
5.7.7 Spegnimento automatico.....	125
5.7.8 Impostazioni predefinite di sistema.....	125
6. Impostazioni di misurazione.....	126
6.1 Impostazione dell'emissività.....	127
6.2 Allarme superiore.....	127
6.3 Allarme inferiore.....	128
6.4 Laser	128
6.5 Modalità auto	128
6.6 Max/Min.....	129
6.7 Media/Differenza	129
6.8 TEMP ambiente/% RH.....	129
6.9 Punto di rugiada/bulbo umido	129
6.10 Misurazione della temperatura con la sonda di tipo K a contatto.....	129
6.11 Colore	130
7. Note	131
8. Tabella dell'emissività.....	132
9. Ricambi	132

Traduzione delle istruzioni originali

Dichiarazione di conformità CE

Noi,
SKF Maintenance Products
Kelvinbaan 16
3439 MT Nieuwegein
Paesi Bassi

dichiariamo con la presente che il seguente prodotto:

Termometro SKF a infrarossi TKTL 40

è stato progettato e fabbricato in conformità della
NORMATIVA EMC 2004/108/EC come indicato nella norma
armonizzata per
EN 55022:2006+A1:2007
EN 55024:1998+A1:2001+A2:2003
EN 61326-1:2006
EN 61326-2-1:2006
IEC 61326-1:2005
IEC 61326-2-1:2005

Il laser è classificato in conformità alla norma UE EN 60825-1:1994/
A2:2001/A1:2002

DIRETTIVA EUROPEA ROHS 2011/65/UE

Nieuwegein, Paesi Bassi,
Novembre 2013



Sébastien David
Responsabile Sviluppo Prodotto e Qualità



Norme di sicurezza

- Leggere e seguire sempre le istruzioni per l'uso.
- Evitare sempre di guardare direttamente la sorgente laser.
- Non dirigere mai il fascio laser verso gli occhi.
- Non aprire mai lo strumento.
- Tutti gli interventi di riparazione devono essere eseguiti presso le officine SKF.



1. Introduzione

L'unità SKF TKTL 40 è uno strumento multifunzione, portatile e leggero per la misurazione in sicurezza delle temperature a distanza. È sufficiente puntare e premere il grilletto per far visualizzare la temperatura sul display. Gli utenti possono inoltre misurare le temperature a contatto con la sonda in dotazione.

Questo strumento ricco di funzioni ha inoltre la capacità di riprendere foto e video mostrando le misurazioni delle temperature. È inoltre possibile misurare e visualizzare numerose proprietà ambientali.



2. Caratteristiche

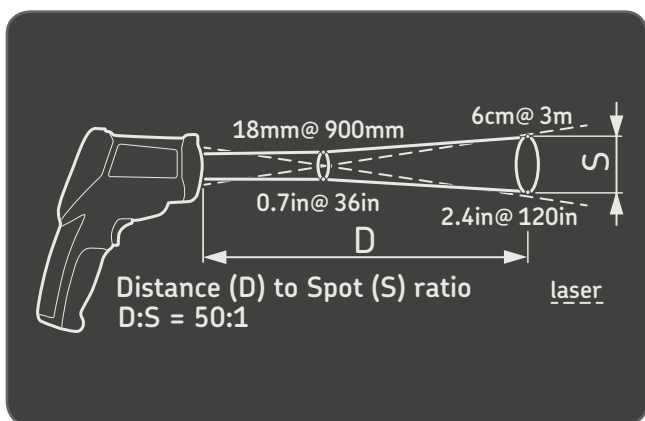
- Display LCD TFT da 2,2"
- Videocamera digitale da 640×480 pixel
- Memoria interna espandibile a 8 GB con schede Micro SD
- Immagini (JPEG) e video (MP4)
- Umidità e temperatura dell'aria
- Puntamento a doppio laser
- Sonda a termocoppia di tipo K
- Emissività regolabile
- Elevata precisione
- Risposta rapida
- Temperatura del punto di rugiada e del bulbo umido

Distanza e dimensione del punto

All'aumentare della distanza (D) dall'oggetto, la dimensione del punto (S) dell'area misurata dall'unità TKTL 40 si amplia.

La relazione fra la distanza e ciascuna unità è elencata in basso.

La dimensione del punto indica il 90% dell'energia misurata.



3. Dati tecnici

Indicazioni generali	
Display	LCD a colori da 2,2" 320 × 240 con retroilluminazione
Risoluzione visualizzata	0,1° fino a 1 000°
Impostazioni di emissività	0,10–1,00
Display retroilluminato	Sempre attivo
Modalità di misurazione	Min, max, media, differenziale, Sonda/infrarossi, datalogger a doppia visualizzazione
Funzionalità HVAC	Bulbo umido, punto di rugiada, umidità, temperatura dell'aria
Modalità allarmi	Allarme di livello alto e basso con allarme acustico
Modalità foto e video	Videocamera 640 × 480, immagini (JPEG) e video (3GP)
Memoria	Memoria interna 310 MB, espandibile a 8 GB con schede Micro SD
Connessione PC	Sì, cavo mini USB incluso
Puntatore laser	2 laser classe 2 integrati, on/off
Potenza massima del laser	1 mW
Spegnimento automatico	3 minuti, regolabile
Attacco per treppiede	1/4" BSW

Misurazione della temperatura a infrarossi	
Rapporto fra distanza e dimensione punto (D:S)	50:1
Intervallo di temperature con infrarossi	da -50 a +1 000 °C
Precisione	da 20 a 500 °C: ±1% della lettura o 1 °C a seconda del valore più alto da 500 a 1 000 °C: ±1,5% della lettura da -50 a +20 °C: ±3,5 °C
Tempo di risposta	<300 ms
Risposta spettrale	8–14 µm

Misurazione con la sonda a contatto	
Intervallo di temperature con la sonda	da -50 a +1 370 °C
Compatibilità della sonda	Type K

Sonda in dotazione	TMDT 2-30, adatta per utilizzi fino a 900 °C
Accuratezza	da 0 a 1 370 °C: $\pm 0,5\%$ della lettura $\pm 1,5$ °C da -50 a 0 °C: $\pm 2,5$ °C

Batteria e alimentazione

Batteria	1 batteria ricaricabile agli ioni di litio 3,7 V 1 400 mAh 5,2 W
Autonomia di funzionamento	4 ore di funzionamento continuo
Adattatore di alimentazione	Caricabatterie compatto CA da 100–240 V/50–60 Hz con prese per Europa, USA, Regno Unito e Australia
Tempo di ricarica	2 ore con adattatore CA

Dimensioni e peso

Dimensioni del prodotto	205 × 155 × 62 mm
Peso del prodotto	500 g
Dimensioni della valigetta per il trasporto	530 × 85 × 180 mm
Peso totale (valigetta inclusa)	1,7 kg

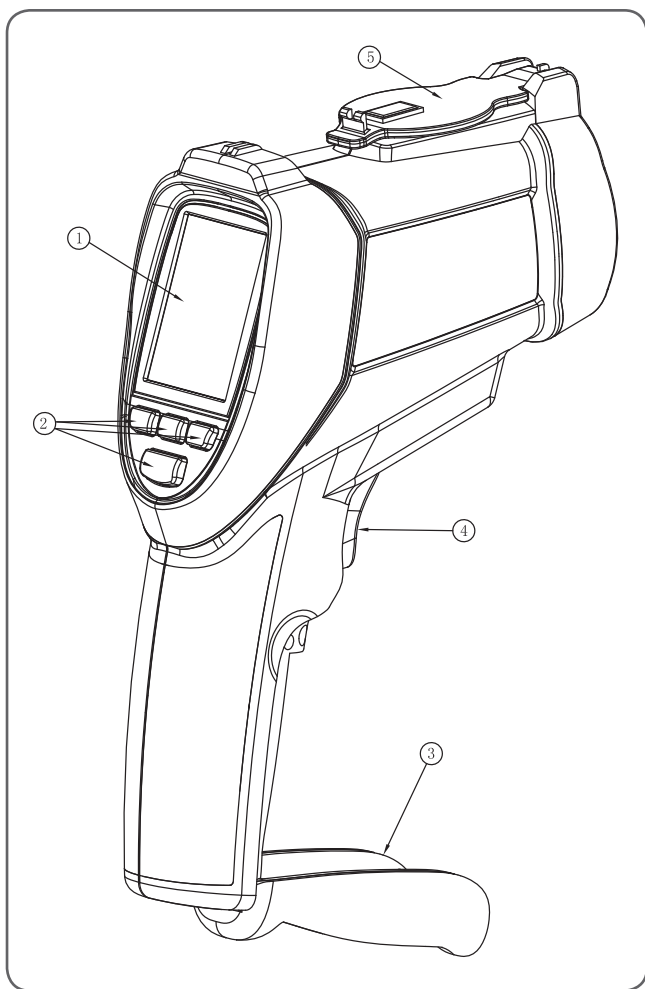
Requisiti operativi

Temperatura operativa	Da 0 °C a 50 °C
Temperatura di stoccaggio	Da -10 °C a +60 °C
Umidità relativa	Dal 10% al 90% senza condensa
Grado di protezione IP	IP 40

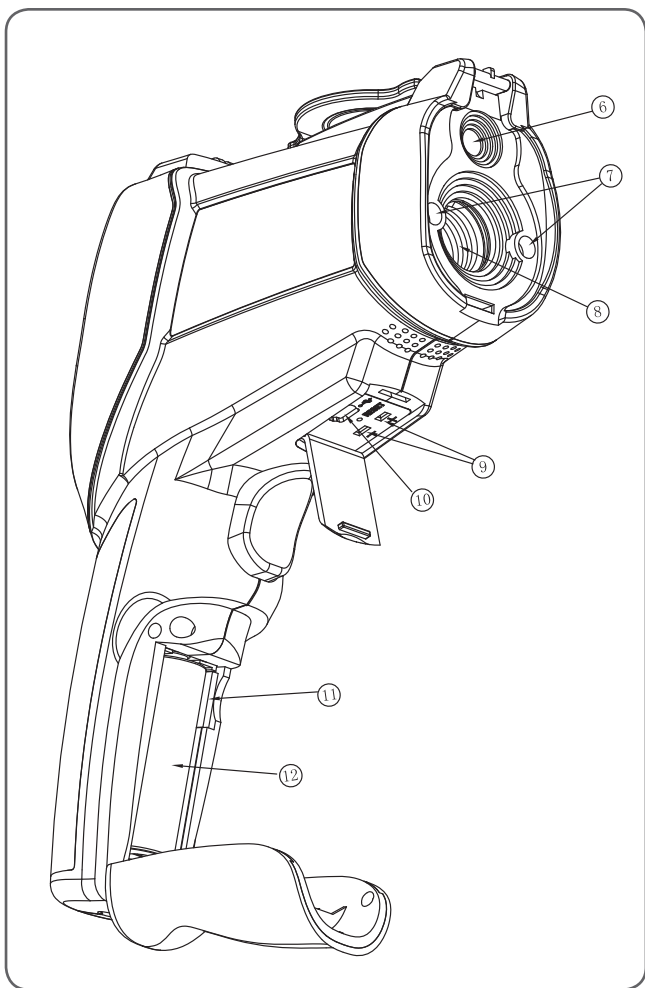
Contenuto della valigetta

1 termometro a infrarossi TKTL 40
1 sonda a contatto TMDT 2-30
1 caricabatterie CA
1 treppiedi mini
1 cavo di connessione da mini USB a USB
1 manuale di istruzioni per l'uso stampato

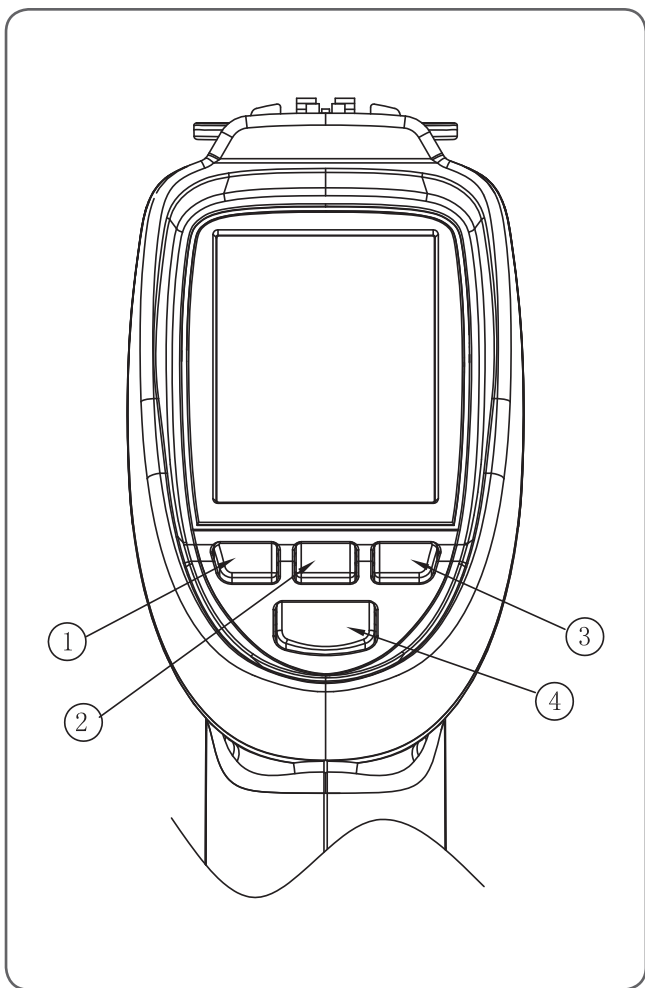
4. Descrizione del pannello anteriore e dei pulsanti



Elemento	Descrizione
1	Display LCD
2	Pulsanti
3	Coperchio della batteria
4	Grilletto per la misurazione
5	Copriobiettivo magnetico



Elemento	Descrizione
6	Videocamera
7	Laser
8	Sensore a infrarossi
9	Presse per termocoppia di tipo K
10	Connettore mini USB per computer e adattatore di alimentazione
11	Slot per scheda di memoria micro SD
12	Batteria



Elemento	Descrizione
1	Pulsante UP o Picture (Su o immagine)
2	Pulsante Power/Esc (Alimentazione o esc)
3	Pulsante Down o video (Giù o video)
4	Pulsante Mode/Enter (Modalità/Invio)

5. Panoramica dei menu

Accensione della videocamera:

- Tenere premuto il pulsante Power finché il display LCD non si accende per attivare la videocamera.
- Tenere premuto il pulsante Power finché il display LCD non si spegne per disattivare la videocamera.







5.1 Modalità di misurazione

L'unità TKTL 40 dispone di sei modalità:

Premere il pulsante ESC per visualizzare le sei modalità. Utilizzare i pulsanti UP o DOWN per selezionare una modalità.



Elemento	Descrizione
IR CAM (termocamera a infrarossi)	Misura la temperatura a infrarossi e altri parametri con un'immagine della videocamera
IR Measure (misurazione a infrarossi)	Misura la temperatura a infrarossi e altri parametri senza un'immagine della videocamera
Dewpoint (punto di rugiada)	Modalità di visualizzazione del punto di rugiada
Datalogger	Modalità Datalogger
Gallery (galleria)	Visualizzazione di immagini riprese, datalog e video
Settings (impostazioni)	Modifica delle impostazioni della videocamera

Simbolo	Descrizione
	Modalità videocamera
	Modalità infrarossi
	Modalità DEWPOINT (punto di rugiada)
	Laser
	Scansione
	Allarme valore eccessivo
	Funzionamento con allarme valore eccessivo
	Allarme valore basso
	Funzionamento con allarme valore basso
	Mantenimento

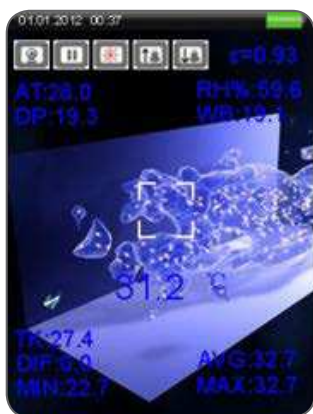
5.2 Modalità videocamera a infrarossi

Utilizzata per misurare la temperatura a infrarossi, la temperatura dell'aria, l'umidità dell'aria, la temperatura del punto di rugiada e di bulbo umido con la termocamera.

In questa modalità è possibile visualizzare: IR MAX temp. (temperatura a infrarossi massima), MIN temp. (temperatura minima), DIF temp. (differenza di temperatura), AVG temp (temperatura media).

Tenere premuto il grilletto per misurare la temperatura.

Ciò consente di acquisire immagini e video.



5.2.1 Acquisizione delle immagini

Premere il pulsante ▲ per acquisire un'immagine, quindi premere nuovamente il pulsante ▲ per salvare o eliminare l'immagine con il pulsante ▼.



5.2.2 Acquisizione di video

Premere il pulsante ▼ per iniziare la registrazione di un video. Premere nuovamente il pulsante ▼ per interrompere la registrazione e salvare il video.

Funzione di zoom:

Pressione lunga del pulsante ▼ per la funzione di zoom out (riduzione). Pressione lunga del pulsante ▲ per la funzione di zoom in (ingrandimento).

5.3 Modalità misurazione a infrarossi

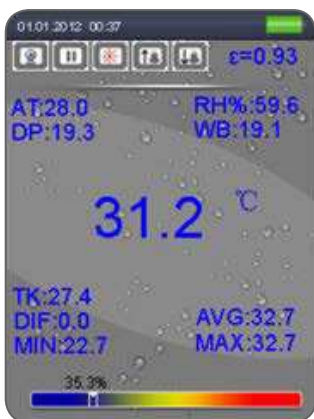
Utilizzata per misurare la temperatura a infrarossi, la temperatura dell'aria, l'umidità dell'aria, la temperatura del punto di rugiada e di bulbo umido senza la termocamera.

In questa modalità è possibile visualizzare: IR MAX temp. (temperatura a infrarossi massima), MIN temp. (temperatura minima), DIF temp. (differenza di temperatura), AVG temp (temperatura media).

Tenere premuto il grilletto per misurare la temperatura.



5.4 Modalità PUNTO DI RUGIADA

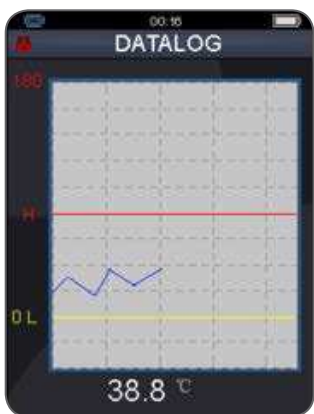


Tenere premuto il grilletto per iniziare la misurazione.



La percentuale indica di quanto la temperatura a infrarossi misurata si avvicina alla temperatura del punto di rugiada. Quando la scala è al 100%, la temperatura a infrarossi misurata è a livello del punto di rugiada.

5.5 Datalogger



Premere il grilletto una volta per iniziare le misurazioni del datalogger. Premere il pulsante ESC per uscire dalla modalità DATALOGGER e salvare automaticamente i dati nella memoria interna o sulla scheda di memoria.

Nota:

Definire l'intervallo di registrazione delle misurazioni nelle impostazioni dei tempi di registro. I registri possono essere visualizzati dalla galleria o scaricati da un computer con connessione USB.

5.6 Galleria



Elemento	Descrizione
Video	Riproduzione dei video salvati
Picture (Immagine)	Visualizzazione delle immagini salvate
Logs (Registri)	Visualizzazione dei registri di dati

- Premere i pulsanti UP (Su) e DOWN (Giù) per selezionare immagini, video o registri. Quindi premere il pulsante ENTER (Invio).
- **Riproduzione di video:**
Premere il pulsante ENTER (Invio) per mettere in pausa o eseguire la riproduzione. Premere il pulsante Esc per uscire.











- **Visualizzazione di foto:**
Premere il pulsante ENTER (Invio) per aprire il menu, premere il pulsante UP (su) per passare al file dell'immagine precedente o DOWN (Giù) per passare al file dell'immagine successiva.



- **Eliminazione di un'immagine:**
Tenere premuto il pulsante ENTER (Invio) finché non compare il menu di cancellazione.
- **Eliminazione di un video:**
Tenere premuto il pulsante ENTER (Invio) sull'elenco dei file finché non compare il menu di cancellazione.

5.7 Impostazioni



Simbolo	Impostazioni
	Lingue
	Data/ora
	Unità di temperatura
	Memoria
	Bip alla pressione di un pulsante
	Chiusura automatica della schermata
	Spegnimento automatico
	Impostazioni predefinite del sistema

5.7.1 Lingue



Premere i pulsanti UP e DOWN per selezionare la lingua, premere il pulsante ESC per uscire e salvare la lingua.

5.7.2 Data/Ora



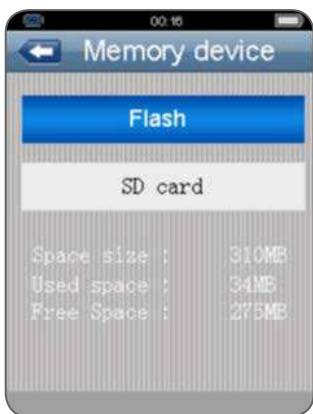
Premere i pulsanti UP (Su) e DOWN (Giù) per selezionare data o ora, quindi premere il pulsante ENTER (Invio) per confermare, i pulsanti UP (Su) e DOWN (Giù) per regolare il valore ed ESC per uscire e salvare.

5.7.3 Unità



Premere i pulsanti UP (Su) e DOWN (Giù) per selezionare le unità, premere il pulsante ESC per uscire e salvare.

5.7.4 Memoria



Premere i pulsanti UP (Su) e DOWN (Giù) per selezionare il dispositivo di memoria, premere il pulsante ENTER (Invio) per confermare. È possibile selezionare fra memoria interna o scheda di memoria.



5.7.5 Cicalino



Premere i pulsanti UP (Su) e DOWN (Giù) per selezionare lo stato del cicalino, premere il pulsante ESC per uscire e salvare il suddetto stato.

5.7.6 Chiusura automatica della schermata



Premere i pulsanti UP (Su) e DOWN (Giù) per selezionare il tempo prima della chiusura automatica della schermata o disabilitare la funzione. Premere il pulsante ESC per uscire e salvare.

5.7.7 Spegnimento automatico



Premere i pulsanti UP (Su) e DOWN (Giù) per selezionare il tempo prima dello spegnimento automatico o disabilitare la funzione; premere il pulsante ESC per uscire e salvare.

5.7.8 Impostazioni predefinite di sistema



Selezionare Yes (Sì) per ripristinare tutte le impostazioni. I dati memorizzati non saranno influenzati.

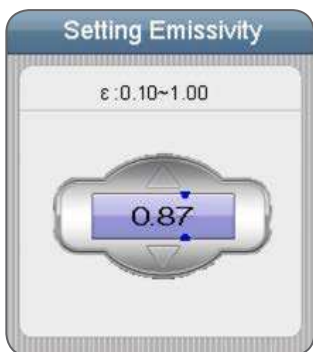
6. Impostazioni di misurazione

In qualsiasi modalità, premere il pulsante ENTER (Invio) nel menu.



Elemento	Descrizione
Emissivity (Emissività)	Impostazione dell'emissività
Alarm High (Allarme superiore)	Impostazione dell'allarme di temperatura elevata
Alarm Low (Allarme inferiore)	Impostazione dell'allarme di temperatura bassa
Laser	Abilitazione o disabilitazione del laser
Auto Mode (Modalità auto)	Misurazioni continue se la funzione è abilitata
Max/Min	Visualizzazione della temperatura a infrarossi minima o massima
Average/Dif (Media/differenza)	Visualizzazione della media o della differenza di temperatura a infrarossi.
Ambient temp /% RH (Temperatura ambiente /% RH)	Visualizzazione della temperatura dell'aria e dell'umidità relativa
Dewpoint/wet bulb (Punto di rugiada/ bulbo umido)	Visualizzazione della temperatura del punto di rugiada e di bulbo umido
Type k (Tipo K)	Abilitazione o disabilitazione dell'ingresso di tipo K
Colour (colore)	Colore dei caratteri

6.1 Impostazione dell'emissività



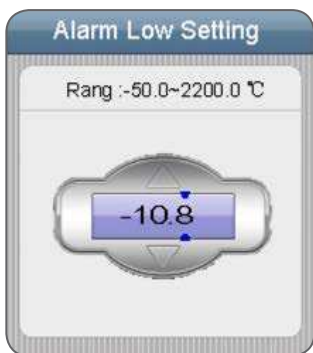
Sulla prima voce, premere il pulsante ENTER (Invio) per regolare l'emissività, premere i pulsanti UP (Su) e DOWN (Giù) per impostare il valore, quindi ENTER (Invio) per confermare. Premere i pulsanti UP (Su) e DOWN (Giù) per selezionare emissività e materiali, premere il pulsante ESC per uscire e salvare.

6.2 Allarme superiore



Premere il pulsante ENTER (Invio) sulla prima riga e utilizzare i pulsanti UP (Su) e DOWN (Giù) per regolare il valore. Premere il pulsante ENTER (Invio) per confermare e il pulsante ESC per uscire e salvare.

6.3 Allarme inferiore



Premere il pulsante ENTER (Invio) sulla prima riga e utilizzare i pulsanti UP (Su) e DOWN (Giù) per regolare il valore. Premere il pulsante ENTER (Invio) per confermare, quindi il pulsante ESC per uscire e salvare.

6.4 Laser



Enable (Abilita)



Disable (Disabilita)

Premere il pulsante ENTER (Invio) per abilitare o disabilitare il laser. Premere il pulsante ESC per salvare.

6.5 Modalità auto

Attivare questa modalità per abilitare la misurazione continua della temperatura IR.

6.6 Max/Min



Enable (Abilita)



Disable (Disabilita)

Premere il pulsante ENTER (Invio) per abilitare o disabilitare la funzione.
Premere il pulsante ESC per uscire e salvare.

6.7 Media/Differenza



Enable (Abilita)



Disable (Disabilita)

Premere il pulsante ENTER (Invio) per abilitare o disabilitare la funzione.
Premere il pulsante ESC per uscire e salvare.

6.8 TEMP ambiente/% RH



Enable (Abilita)



Disable (Disabilita)

Premere il pulsante ENTER (Invio) per abilitare o disabilitare la funzione.
Premere il pulsante ESC per uscire e salvare.

6.9 Punto di rugiada/bulbo umido



Enable (Abilita)



Disable (Disabilita)

Premere il pulsante ENTER (Invio) per abilitare o disabilitare la funzione.
Premere il pulsante ESC per uscire e salvare.

6.10 Misurazione della temperatura con la sonda di tipo K a contatto



Enable (Abilita)



Disable (Disabilita)

Premere il pulsante ENTER (Invio) per abilitare o disabilitare la funzione.
Premere il pulsante ESC per uscire e salvare.

Nota:

Quando la sonda di tipo K è collegata all'unità TKTL 40, la temperatura misurata viene visualizzata automaticamente.

6.11 Colore



Selezionare un colore per i caratteri.



7. Note

- **Come funzionano gli infrarossi?**

I termometri a infrarossi misurano la temperatura della superficie di un oggetto. Le ottiche dell'unità rilevano l'energia emessa, riflessa e trasmessa, raccolta e proiettata su un rilevatore.

I componenti elettronici dell'unità convertono le informazioni in letture di temperatura, visualizzate sull'unità. Il laser è utilizzato solo per scopi di puntamento.

- **Campo visivo**

Verificare che il bersaglio sia più ampio della dimensione del punto dell'unità. Più piccolo è il bersaglio e più vicino deve essere.

Quando la precisione è critica, verificare che il bersaglio sia largo almeno il doppio della dimensione del punto.

- **Distanza e dimensione del punto**

All'aumentare della distanza (D) dall'oggetto, la dimensione del punto (S) dell'area misurata dall'unità si amplia.

Vedere la figura all'inizio del presente manuale.

- **Individuazione di un punto caldo**

Per individuare un punto caldo, puntare il termometro fuori dall'area di interesse, quindi scansionare con un movimento dall'alto in basso fino a individuare il punto caldo.

- **Memo**

- Non utilizzare l'unità per misurare superfici metalliche brillanti o lucide (acciaio inox, alluminio, ecc.). Vedere il paragrafo Emissività.

- L'unità non è in grado di misurare attraverso superfici trasparenti quali il vetro. In questo caso, misurerà la temperatura superficiale del vetro.

- Vapore, polvere, fumo, ecc., possono impedire misurazioni accurate ostruendo le ottiche dell'unità.

- **Emissività**

Emissività è un termine utilizzato per descrivere le caratteristiche di emissione di energia dei materiali.

La maggior parte (90% delle applicazioni tipiche) dei materiali organici e verniciati o delle superfici ossidate ha un'emissività dello 0,95 (preimpostata nell'unità). La misurazione di superfici brillanti o di metallo lucido genera letture inaccurate. Per compensare, coprire la superficie da misurare con un nastro adesivo protettivo o con vernice nera. Consentire al nastro di raggiungere la stessa temperatura del materiale sottostante.

Misurare la temperatura del nastro o della superficie verniciata.

8. Tabella dell'emissività

Sostanza	Emissività termica	Sostanza	Emissività termica
Asfalto	da 0,90 a 0,98	Tessuto (nero)	0,98
Calcestruzzo	0,94	Pelle umana	0,98
Cemento	0,96	Pelle	da 0,75 a 0,80
Sabbia	0,90	Carbone (polvere)	0,96
Terra	da 0,92 a 0,96	Lacca	da 0,80 a 0,95
Acqua	da 0,92 a 0,96	Lacca (opaca)	0,97
Ghiaccio	da 0,96 a 0,98	Gomma (nera)	0,94
Neve	0,83	Plastica	da 0,85 a 0,95
Vetro	da 0,90 a 0,95	Legname	0,90
Ceramica	da 0,90 a 0,94	Carta	da 0,70 a 0,94
Marmo	0,94	Ossidi di cromo	0,81
Intonaco	da 0,80 a 0,90	Ossidi di rame	0,78
Malta	da 0,89 a 0,91	Ossidi di ferro	da 0,78 a 0,82
Mattone	da 0,93 a 0,96	Tessili	0,90

9. Ricambi

Appellativo	Descrizione
TMDT 2-30	Sonda a contatto
TDTC 1/X	Valigetta senza sagomatura interna in formato X

Conteúdo

Declaração de conformidade EC	134
Recomendações de segurança	135
1. Introdução	136
2. Recursos	137
3. Dados técnicos.....	138
4. Painel frontal e descrição do botão	140
5. Visão geral do menu	143
5.1 Modo de medição.....	143
5.2 Modo de câmera infravermelha	144
5.2.1 Como tirar fotos	145
5.2.2 Como gravar vídeos	145
5.3 Modo de medição por infravermelho	145
5.4 Modo de ponto de condensação	146
5.5 Registrador de dados.....	146
5.6 Galeria	147
5.7 Configurações.....	148
5.7.1 Languages (Idiomas).....	149
5.7.2 Date/Time (Data/hora)	149
5.7.3 Units (Unidades).....	149
5.7.4 Memory (Memória).....	150
5.7.5 Beeper (Alarme sonoro).....	150
5.7.6 Auto screen-off (Desligamento automático da tela)..	151
5.7.7 Auto power-off (Desligamento automático).....	151
5.7.8 Configuração predefinida do sistema	151
6. Configurações das medições.....	152
6.1 Emissivity (Emissividade).....	153
6.2 Alarm High (Alarme alto)	153
6.3 Alarm Low (Alarme baixo)	154
6.4 Laser	154
6.5 Auto Mode (Modo automático).....	154
6.6 Max/Min (Máximo/mínimo).....	155
6.7 Average/Dif (Média/diferença)	155
6.8 Ambient TEMP/% RH (Temperatura do ar/Umididade relativa)155	
6.9 Dewpoint/wet bulb (Ponto de condensação/Bulbo úmido)...	155
6.10 Medição da temperatura por sonda de contato tipo K.....	155
6.11 Color (Cor).....	156
7. Observações	157
8. Tabela de emissividade	158
9. Peças de reposição	158

Tradução das instruções originais

Declaração de conformidade EC

A,
SKF Maintenance Products
Kelvinbaan 16
3439 MT Nieuwegein
Holanda

por meio desta declara que o produto a seguir:

Termômetro Infravermelho SKF TKTL 40

foi desenhado e fabricado em conformidade com a
EMC DIRECTIVE 2004/108/EC, tal como se descreve na norma
harmonizada para
EN 55022:2006+A1:2007
EN 55024:1998+A1:2001+A2:2003
EN 61326-1:2006
EN 61326-2-1:2006
IEC 61326-1:2005
IEC 61326-2-1:2005

O laser é classificado de acordo com a norma da União Europeia EN
60825-1:1994/A2:2001/A1:2002

DIRETIVA EUROPEIA ROHS 2011/65/UE

Nieuwegein, Holanda,
Novembro de 2013



Sébastien David
Gerente de Desenvolvimento e Qualidade de Produtos



Recomendações de segurança

- Leia e siga sempre as instruções de utilização.
- Nunca olhe diretamente para o raio laser.
- Nunca direcione o raio laser para os olhos de nenhuma pessoa.
- Nunca abra o instrumento.
- Todos os serviços de manutenção deverão ser realizados em oficinas SKF autorizadas.



1. Introdução

O SKF TKTL 40 é um instrumento multifuncional leve e portátil que serve para medir temperaturas a distância com segurança. Simplesmente aponte e puxe o disparador, e a temperatura é exibida na tela. Os usuários também podem medir temperaturas de contato usando a sonda fornecida.

Este instrumento cheio de recursos também oferece a facilidade de fazer fotografias e gravar vídeos, mostrando as medições da temperatura. Adicionalmente, é possível medir e exibir propriedades ambientais.



2. Recursos

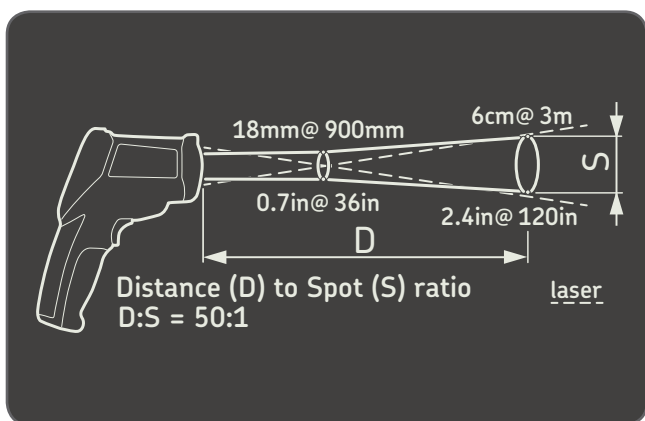
- Tela LCD TFT de 2.2"
- Câmera digital de 640 × 480 pixels
- Memória interna expansível para até 8 GB utilizando cartão Micro SD
- Imagem (JPEG) e vídeo (MP4)
- Umidade e temperatura do ar
- Mira a laser dupla
- Sonda de termopar modelo K
- Emissividade ajustável
- Alta precisão
- Tempo de resposta rápida
- Temperatura de ponto de condensação e de bulbo úmido

Distância e tamanho do ponto

Conforme a distância (D) do objeto aumenta, o tamanho do ponto (S) da área medida pelo TKTL 40 se torna maior.

A relação entre a distância e cada unidade é listada abaixo.

O tamanho do ponto indica energia medida a 90%.



3. Dados técnicos

Generalidades	
Tela	LCD a cores de 320 × 240, 2,2", com luz de fundo
Resolução exibida	0,1° até 1 000°
Configuração emissividade	0,10-1,00
Tela com luz de fundo	Sempre ligada
Modos de medição	Registrador de dados com exibição dupla de sonda/IV com valores mínimos, máximos, média e diferencial
Funcionalidades de HVAC	Bulbo úmido, ponto de condensação, umidade, temperatura do ar
Modos de alarme	Nível alto e baixo de alarme, incluindo alarme sonoro
Modo de foto e vídeo	Câmera de 640 × 480, imagens (JPEG) e vídeo (3GP)
Memória	310 MB de memória interna expansível para até 8 GB utilizando cartão Micro SD
Conexão a computador	Sim, cabo mini-USB incluído
Ponteiro de laser	2 lasers classe 2 internos, ligar/desligar
Potência máxima do laser	1 mW
Desligamento automático	3 minutos, regulável
Suporte com tripé	Rosca 1/4" BSW

Medição de temperatura por infravermelho	
Distância até o tamanho do ponto (D:S)	50:1
Faixa de temperatura utilizando infravermelho	-50 a +1 000 °C (-58 a +1 832 °F)
Precisão	20 a 500 °C: ±1% de leitura ou 1 °C, o que for maior 500 a 1 000 °C: ±1,5% de leitura -50 a +20 °C: ±3,5 °C (6,3 °F)
Tempo de resposta	<300 ms
Resposta espectral	8-14 μm

Medição por sonda de contato	
Temperatura utilizando sonda	-50 a +1 370 °C (-58 a +2 498 °F)
Compatibilidade da sonda	Modelo K

Sonda fornecida	TMDT 2-30, adequada para o uso em até 900 °C (1 650 °F)
Precisão	0 a 1 370 °C: ±0,5% de leitura ±1,5 °C (±2,7 °F) -50 a 0 °C: ±2,5 °C (4,5 °F)

Bateria e alimentação elétrica

Bateria	1 bateria recarregável de íons de lítio de 3,7 V 1 400 mAh 5,2 W
Tempo de operação	4 horas de uso contínuo
Fonte de alimentação	Carregador compacto para corrente alternada de 100-240 V/50-60 Hz com plugues para Europa, EUA, Reino Unido e Austrália
Tempo de carregamento	2 horas com adaptador de corrente alternada

Tamanho e peso

Dimensões do produto	205 × 155 × 62 mm
Peso do produto	500 g
Dimensões da maleta	530 × 85 × 180 mm
Peso total (incl. maleta)	1,7 kg

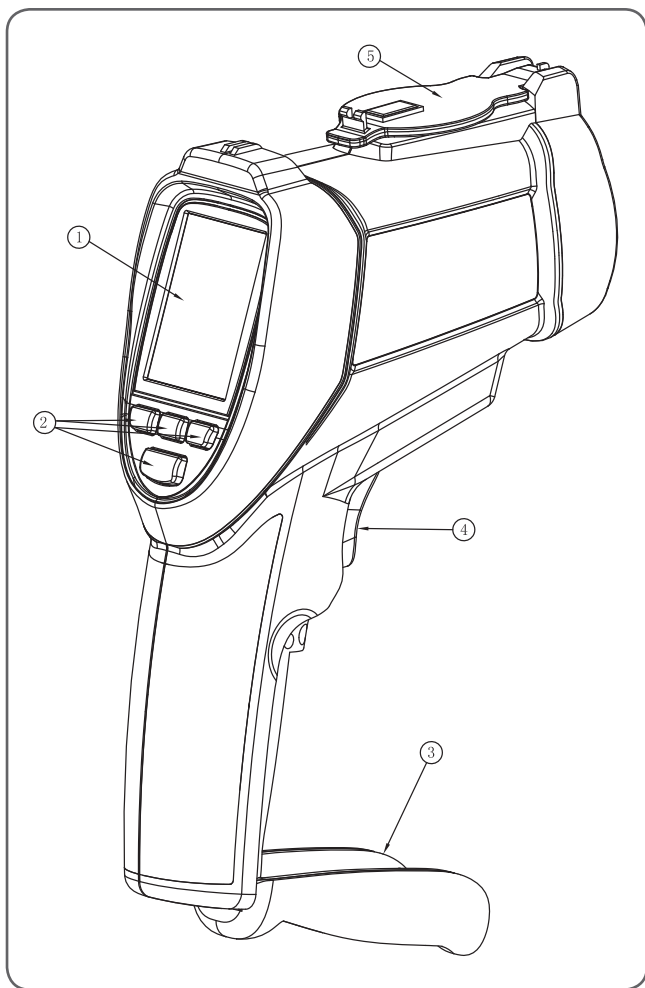
Requisitos operacionais

Temperatura operacional	0 a 50 °C
Temperatura de armazenamento	-10 a +60 °C
Umidade relativa	10 a 90%, não condensante
Classificação IP	IP 40

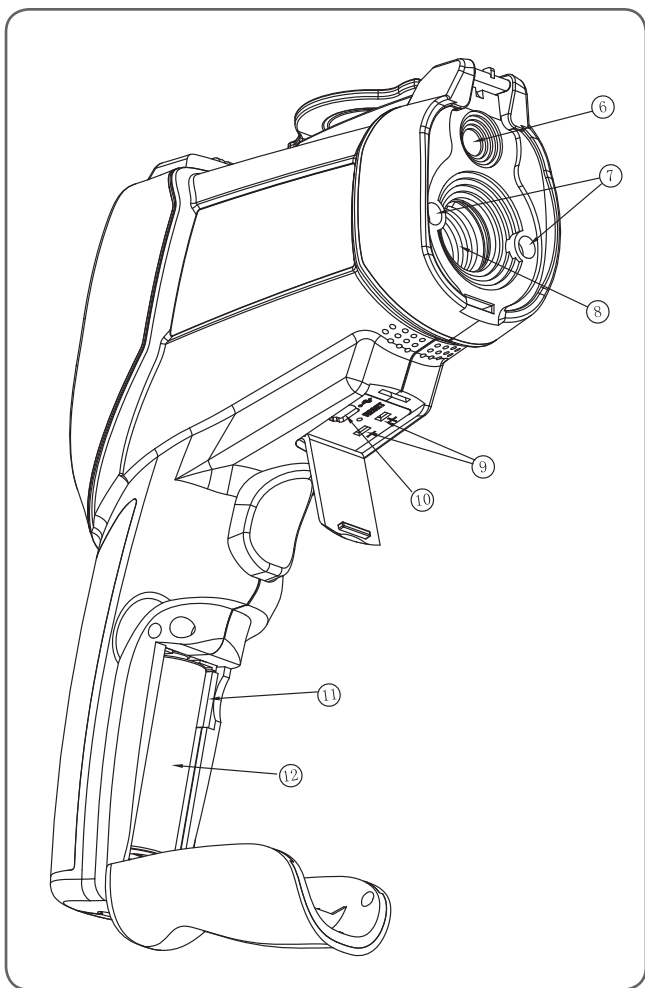
Conteúdo da maleta

1 × termômetro infravermelho TKTL 40
1 × sonda de contato TMDT 2-30
1 × carregador de bateria de CA
1 × mini tripé
1 × mini-USB para cabo de conexão USB
1 × instruções de uso impressas

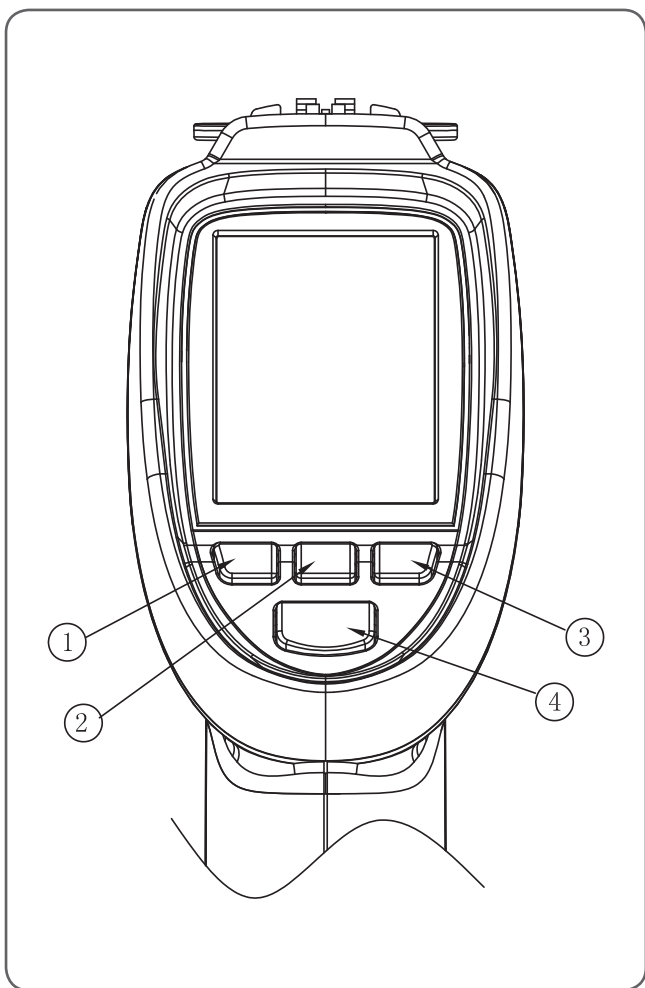
4. Painel frontal e descrição do botão



Item	Descrição
1	Tela LCD
2	Botões
3	Tampa da bateria
4	Disparo da medição
5	Tampa das lentes magnéticas



Item	Descrição
6	Câmera visual
7	Lasers
8	Sensor IV
9	Conector para termopar Tipo K
10	Conector mini-USB para computador e fonte de alimentação
11	Porta para cartão de memória Micro SD
12	Bateria



Item	Descrição
1	Botão Para cima ou Imagem
2	Botão para ligar ou sair (Esc)
3	Botão Para baixo ou de vídeo
4	Botão de Modo/Enter

5. Visão geral do menu

Como ligar a câmera:

- Pressione e segure o botão de ligar/desligar até o LCD acender para ligar a câmera.
- Pressione e segure o botão de Power até o LCD ligar para acender a câmera.











5.1 Modo de medição

O TKTL 40 tem seis modos:

Pressione o botão ESC para exibir os seis modos. Use os botões Para cima e Para baixo para selecionar um modo.

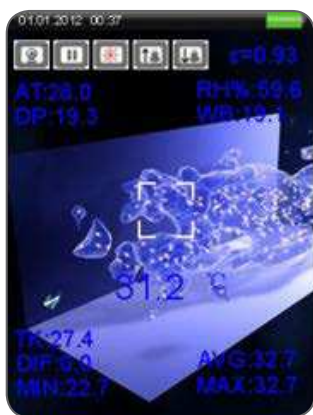


Item	Descrição
IR CAM	(Câmera infravermelha) Medição da temperatura por IV e outros parâmetros com uma imagem da câmera
IR Measure	(Medição por infravermelho) Medição da temperatura por IV e outros parâmetros sem uma imagem da câmera
Dewpoint	(Ponto de condensação) Modo de visualização do ponto de condensação
Registrador de dados	Modo Registrador de dados
Gallery	(Galeria) Para exibir imagens gravadas, registros de dados e vídeos
Settings	(Configurações) Para modificar as configurações da câmera

Símbolo	Descrição
	Modo de câmera
	Modo infravermelho
	Modo do ponto de condensação
	Laser
	Medir
	Alarme alto
	Alarme alto em operação
	Alarme baixo
	Alarme baixo em operação
	Reter

5.2 Modo de câmera infravermelha

Usado para medir a temperatura por infravermelho, a temperatura do ar, da umidade do ar, do ponto de condensação e de bulbo úmido usando a câmera. Pode exibir temperaturas IR MAX (IV máxima), MIN (mínima), DIF (diferencial) e AVG (média). Para medir a temperatura, pressione e segure o gatilho. Isto permite tirar fotos e gravar vídeos.



5.2.1 Como tirar fotos

Pressione o botão ▲ para tirar uma foto e depois pressione o botão ▲ novamente para salvar a foto ou use o botão ▼ para excluí-la.



5.2.2 Como gravar vídeos

Pressione o botão ▼ para começar a gravar um vídeo.

Pressione o botão ▼ novamente para parar de gravar e salvar o vídeo.

Função de zoom:

Mantenha o botão ▼ pressionado para reduzir.

Mantenha o botão ▲ pressionado para ampliar.

5.3 Modo de medição por infravermelho

Usado para medir a temperatura por infravermelho, a temperatura do ar, da umidade do ar, do ponto de condensação e de bulbo úmido sem usar a câmera. Pode exibir temperaturas IR MAX (IV máxima), MIN (mínima), DIF (diferencial) e AVG (média). Para medir a temperatura, pressione e segure o gatilho.



5.4 Modo de ponto de condensação

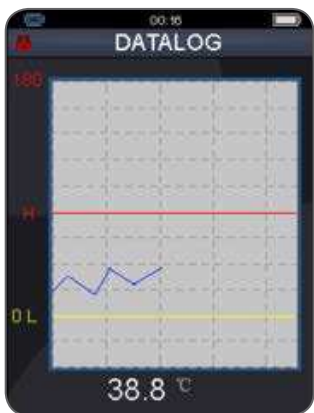


Pressione e segure o gatilho para começar a medir.



A porcentagem mostra a proximidade da temperatura por infravermelho medida do ponto de condensação. Quando a escala estiver em 100%, a temperatura por infravermelho medida está no nível do ponto de condensação.

5.5 Registrador de dados



Pressione o gatilho uma vez para começar as medições do registrador de dados. Pressione o botão ESC para sair do modo de DATALOG (Registrador de dados) e salvar automaticamente os dados na memória interna ou em um cartão de memória.

Observação:

Defina o intervalo de registro da medição na configuração dos tempos de log. Os logs podem ser visualizados na galeria ou baixados em um computador que tenha conexão USB.

5.6 Galeria



Item	Descrição
Vídeo	Reprodução de vídeos salvos
Photo	Exibição das imagens salvas
Logs	Exibição dos logs de dados

- Pressione os botões Para cima e Para baixo para selecionar imagens, vídeos ou logs. Depois, pressione o botão ENTER.
- **Reprodução de vídeo:**
Pressione o botão ENTER para pausar ou reproduzir.
Pressione o botão Esc para sair.











- **Visualização de fotos:**
Pressione o botão ENTER para abrir o menu, pressione o botão Para cima para ver o arquivo de imagens anterior, pressione o botão Para baixo para ir para o próximo arquivo de imagens.



- **Para excluir uma imagem:**
Mantenha o botão ENTER pressionado até o menu de excluir aparecer.
- **Para excluir um vídeo:**
Mantenha o botão ENTER pressionado na lista de arquivos até o menu de excluir aparecer.

5.7 Configurações



Símbolo	Configurações
	Idiomas
	Data/Hora
	Unidades de temperatura
	Memória
	Emitir um bipe quando um botão for pressionado
	Desligamento automático da tela
	Desligamento automático
	Configuração predefinida do sistema

5.7.1 Languages (Idiomas)



Pressione o botão Para cima ou Para baixo para selecionar o idioma, pressione o botão ESC para salvar o idioma selecionado e sair.

5.7.2 Date/Time (Data/hora)



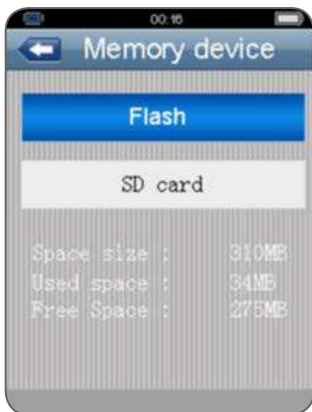
Pressione o botão Para cima ou Para baixo para selecionar a data ou a hora, depois pressione o botão ENTER para acessar, os botões Para cima e Para baixo para ajustar o valor, e ESC para salvar e sair.

5.7.3 Units (Unidades)

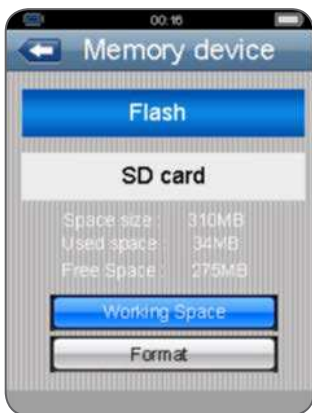


Pressione o botão Para cima ou Para baixo para selecionar o idioma, pressione o botão ESC para salvar o idioma selecionado e sair.

5.7.4 Memory (Memória)



Pressione o botão Para cima ou Para baixo para selecionar o dispositivo de memória, pressione o botão ENTER para acessar. É possível selecionar a memória interna ou o cartão de memória.



5.7.5 Beeper (Alarme sonoro)



Pressione o botão Para cima ou Para baixo para selecionar o status do Beeper, pressione o botão ESC para salvar o status do Beeper e sair.

5.7.6 Auto screen-off (Desligamento automático da tela)



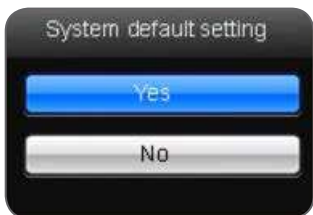
Pressione o botão Para cima ou Para baixo para selecionar o tempo de desligamento automático da tela ou desativar esta função. Pressione o botão ESC para salvar e sair.

5.7.7 Auto power-off (Desligamento automático)



Pressione o botão Para cima ou Para baixo para selecionar o tempo de desligamento automático ou nunca desligar, pressione o botão ESC para salvar e sair.

5.7.8 Configuração predefinida do sistema



Selecione Sim em System default setting (Configuração predefinida do sistema) para redefinir todas as configurações. Os dados armazenados não serão afetados.

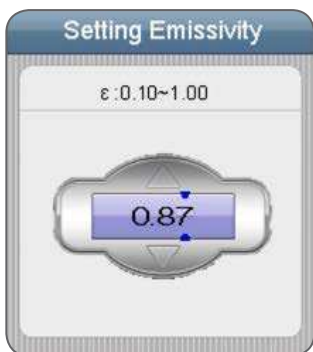
6. Configurações das medições

Em qualquer modo, pressione o botão ENTER para acessar o menu.



Item	Descrição
Emissivity	Para definir a emissividade
Alarm High	Para definir o alarme de temperatura alta
Alarm Low	Para definir o alarme de temperatura baixa
Laser	Para ativar ou desativar o laser
Auto Mode	(Modo automático) Quando estiver habilitado, a medição é contínua
Max/Min	Para exibir a temperatura IV máxima ou mínima
Average/Dif	Para exibir a temperatura média ou diferencial do infravermelho
Ambient temp /% RH	Para exibir a temperatura do ar e a umidade relativa
Dewpoint/wet bulb	Para exibir a temperatura do ponto de condensação e de bulbo úmido
Type k	Para ativar ou desativar a inserção do tipo K
Colour	Cor da fonte

6.1 Emissivity (Emissividade)



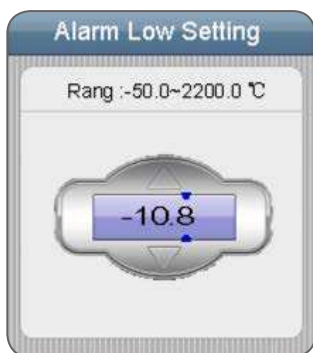
No primeiro item, pressione o botão ENTER para regular a emissividade, pressione o botão Para cima ou Para baixo para ajustar o valor e depois o botão ENTER para confirmar. Pressione o botão Para cima ou Para baixo para selecionar as emissividades dos materiais, pressione o botão ESC para salvar e sair.

6.2 Alarm High (Alarme alto)



Pressione o botão ENTER na primeira linha e use o botão Para cima e Para baixo para ajustar o valor. Pressione o botão ENTER para confirmar, pressione o botão ESC para salvar e sair.

6.3 Alarm Low (Alarme baixo)



Pressione o botão ENTER na primeira linha e use o botão Para cima e Para baixo para ajustar o valor. Pressione o botão Enter para confirmar, pressione o botão ESC para salvar e sair.

6.4 Laser



Ativar



Desativar

Pressione o botão ENTER para ativar ou desativar o laser. Pressione o botão Esc para salvar.

6.5 Auto Mode (Modo automático)

Ative para habilitar a medição contínua da temperatura por infravermelho.

6.6 Max/Min (Máximo/mínimo)



Ativar



Desativar

Pressione o botão ENTER para ativar ou desativar.

Pressione o botão ESC para salvar e sair.

6.7 Average/Dif (Média/diferença)



Ativar



Desativar

Pressione o botão ENTER para ativar ou desativar.

Pressione o botão ESC para salvar e sair.

6.8 Ambient TEMP/% RH (Temperatura do ar/Umididade relativa)



Ativar



Desativar

Pressione o botão ENTER para ativar ou desativar.

Pressione o botão ESC para salvar e sair.

6.9 Dewpoint/wet bulb (Ponto de condensação/Bulbo úmido)



Ativar



Desativar

Pressione o botão ENTER para ativar ou desativar.

Pressione o botão ESC para salvar e sair.

6.10 Medição da temperatura por sonda de contato tipo K



Ativar



Desativar

Pressione o botão ENTER para ativar ou desativar.

Pressione o botão ESC para salvar e sair.

Observação:

Quando uma sonda Tipo K é conectada ao TKTL 40, a temperatura medida será exibida automaticamente.

6.11 Color (Cor)



Escolha uma cor da fonte.



7. Observações

- **Como o infravermelho funciona?**

Os termômetros infravermelhos medem a temperatura da superfície de um objeto. O sistema óptico da unidade detecta a energia emitida, refletida e transmitida que é coletada e focada em um detector. O sistema eletrônico da unidade traduz as informações em leitura da temperatura e a exibe na unidade. O laser é usado apenas para a mira.

- **Campo de visão**

Confira se o alvo é maior do que o tamanho do ponto da unidade. Quanto menor for o alvo, mais perto o usuário deveria estar.

Quando a precisão for um fator crítico, certifique-se de que o alvo é no mínimo duas vezes maior que o tamanho do ponto.

- **Distância e tamanho do ponto**

Conforme a distância (D) do objeto aumenta, o tamanho do ponto (S) da área medida pela unidade se torna maior.

Veja a figura no início deste manual.

- **Localização de um ponto quente**

Para encontrar um ponto quente, aponte o termômetro para fora da área de interesse e depois faça a varredura com movimentos ascendentes e descendentes, até localizar o ponto quente.

- **Lembretes**

- Não utilize a unidade para fazer medições em superfícies brilhantes ou polidas (aço inoxidável, alumínio, etc.).

Consulte Emissividade.

- A unidade não pode realizar medições através de superfícies transparentes, como vidros. Em lugar disso, ela medirá a temperatura da superfície do vidro.

- Vapor, poeira, fumaça, etc., podem obstruir o sistema ótico da unidade e não permitir uma medição precisa.

- **Emissividade**

Emissividade é um termo usado para descrever as características de emissão de energia dos materiais.

A maioria dos materiais orgânicos e pintados ou das superfícies orgânicas (90% das aplicações habituais) tem 0,95 de emissividade (predefinido na unidade). As medições de superfícies brilhantes ou de metal polido resultarão em leituras inexatas. Para compensar, cubra a superfície a ser medida com fita adesiva ou tinta preta servindo de máscara. Aguarde até a fita atingir a mesma temperatura que o material que está debaixo dela.

Meça a temperatura da fita ou da superfície pintada.

8. Tabela de emissividade

Substância	Emissividade térmica	Substância	Emissividade térmica
Asfalto	0,90 a 0,98	Pano (preto)	0,98
Concreto	0,94	Pele humana	0,98
Cimento	0,96	Couro	0,75 a 0,80
Areia	0,90	Carvão (em pó)	0,96
Terra	0,92 a 0,96	Laca	0,80 a 0,95
Água	0,92 a 0,96	Laca (mate)	0,97
Gelo	0,96 a 0,98	Borracha (preta)	0,94
Neve	0,83	Plástico	0,85 a 0,95
Vidro	0,90 a 0,95	Madeira	0,90
Cerâmica	0,90 a 0,94	Papel	0,70 a 0,94
Mármore	0,94	Óxido de cromo	0,81
Gesso	0,80 a 0,90	Óxidos de cobre	0,78
Argamassa	0,89 a 0,91	Óxidos de ferro	0,78 a 0,82
Tijolo	0,93 a 0,96	Têxteis	0,90

9. Peças de reposição

Designação	Descrição
TMDT 2-30	Sonda de contato
TDTC 1/X	Maleta de ferramentas sem compartimentos internos, tamanho X

目录

符合欧盟相关产品条例的声明	160
安全需知	161
1. 简介	162
2. 功能	163
3. 技术参数	164
4. 前面板和按钮描述	166
5. 菜单概述	169
5.1 测量模式	169
5.2 红外摄像头模式	170
5.2.1 拍照	171
5.2.2 拍摄视频	171
5.3 红外测量模式	171
5.4 露点测量模式	172
5.5 数据记录	172
5.6 图库	173
5.7 设置	174
5.7.1 语言	175
5.7.2 日期/时间	175
5.7.3 单位	175
5.7.4 内存	176
5.7.5 发声开关	176
5.7.6 自动关闭屏幕	177
5.7.7 自动关闭电源	177
5.7.8 系统默认设置	177
6. 测量设置	178
6.1 热辐射率设置	179
6.2 高温报警	179
6.3 低温报警	180
6.4 激光	180
6.5 自动模式	180
6.6 最大/最小	181
6.7 平均/差值	181
6.8 环境温度/相对湿度百分比	181
6.9 露点/湿球	181
6.10 触点温度探头的 K 型测量	181
6.11 颜色	182
7. 注意事项	183
8. 辐射率表	184
9. 备件	184

符合欧盟相关产品条例的声明

我们，
SKF维护产品
Kelvinbaan 16
3439 MT Nieuwegein
荷兰

在此声明，以下产品：

**SKF 红外测温仪
TKTL 40**

的设计和制造遵从
欧盟电磁兼容指令EMC DIRECTIVE 2004/108/EC，以及其它相关
条例

EN 55022:2006+A1:2007

EN 55024:1998+A1:2001+A2:2003

EN 61326-1:2006

EN 61326-2-1:2006

IEC 61326-1:2005

IEC 61326-2-1:2005

该激光按欧盟标准 EN 60825-1:1994/A2:2001/A1:2002 进行分类。

欧洲 ROHS 指令 2011/65/EU

Nieuwegein, 荷兰,
2013年11月



Sébastien David
产品研发与质量经理



安全需知

- 使用时请认真阅读并按使用说明进行操作。
- 请勿直视激光源。
- 请勿将激光束对准他人的眼部。
- 切勿拆开该仪器。
- 只能在 SKF 维修车间进行维修操作。



1. 简介

SKF TKTL 40 是一种便携的轻量型多功能仪器，可以在一定距离内安全地进行温度测量。只需在对准后按下扳机，即可在显示屏上显示温度。用户还可以使用标配提供的探头来接触式地测量温度。这一功能丰富的仪器还具有拍摄照片和视频的能力，并在其中显示温度测量结果。此外，还可以测量并显示多种环境属性。



2. 功能

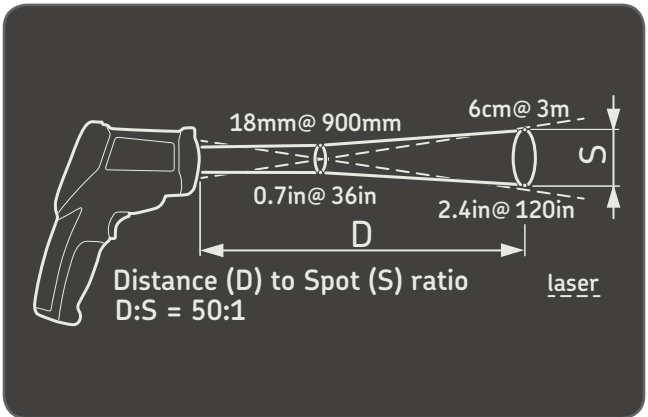
- 2.2 英寸 TFT LCD 显示屏
- 640 × 480 像素数码摄像机
- 通过 Micro SD 卡可将内存扩展至 8GB
- 图像 (JPEG) 和视频 (MP4) 捕捉能力
- 湿度和气温的测量
- 双重激光定位
- K 型热偶探头
- 辐射率可调
- 高精度
- 极快的响应时间
- 露点温度与湿球温度功能

距离与光点尺寸

随着与被测物体距离 (D) 的增加, TKTL 40 测区的光束光点的尺寸 (S) 将变大。

距离与每个单元之间的关系如下所示。

光点的尺寸代表 90% 的测得能量。



3. 技术参数

常规	
显示屏	2.2 英寸 320 × 240 彩色 LCD, 带背光
显示分辨率	0.1° 至 1 000°
辐射率设置	0,10–1,00
背光显示	始终打开
测量模式	最小值、最大值、平均值、差值、探头/红外双重显示数据记录
空调暖通功能	湿球、露点、湿度、气温
报警模式	高低级别报警, 带声音报警
图像与视频模式	640 × 480 摄像头, 图像 (JPEG) 和视频 (3GP) 功能
内存	310 MB 内存, 通过 Micro SD 卡可扩展至 8GB
PC 连接	有, 提供 Mini USB 电缆
激光指示器	2 × 内置 2 类激光, 开/关
最大激光功率	1 mW
自动关机	3 分钟, 可调
三脚架安装	1/4" BSW

红外温度测量	
距离/光点尺寸比 (D:S)	50:1
使用红外时的温度范围	-50 至 +1 000 °C (-58 至 +1 832 °F)
精度	20 至 500 °C: 读数的 ±1% 或 1 °C (1.8 °F), 取其中较大值 500 至 1000 °C: 读数的 ±1.5% -50 至 +20 °C: ±3.5 °C (6.3 °F)
响应时间	<300 ms
光谱响应	8–14 μm

接触探头测量	
探头的使用温度	-50 至 +1 370 °C (-58 至 +2 498 °F)
探头兼容性	K 型
标配提供探头	TMDG 2-30, 适用于低于 900 °C (1 650 °F) 的测量
精度	0 至 1 370 °C: 读数的 ±0.5%, ±1.5 °C (±2.7 °F) -50 至 0 °C: ±2.5 °C (4.5 °F)

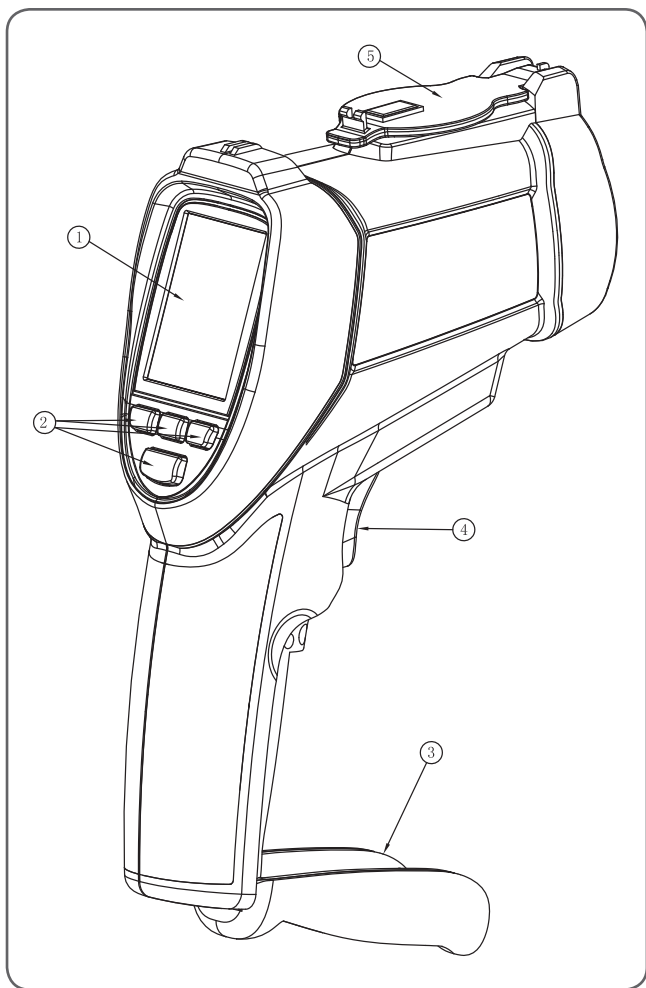
电池和电源	
电池	1 × 可充电锂离子电池, 3.7 V 1 400 mAh 5.2 W
工作时间	连续使用 4 小时
电源适配器	100–240 V/50–60 Hz AC 紧凑式充电器, 配欧洲、美国、英国和澳洲标准插头
充电时间	使用交流适配器时 2 小时

尺寸和重量	
产品尺寸	205 × 155 × 62 mm (8.1 × 6.1 × 2.4 in.)
产品重量	500 g (1.1 lb)
手提箱尺寸	530 × 85 × 180 mm (20.9 × 3.4 × 7.0 in.)
总重量 (含手提箱)	1,7 kg (3.8 lb)

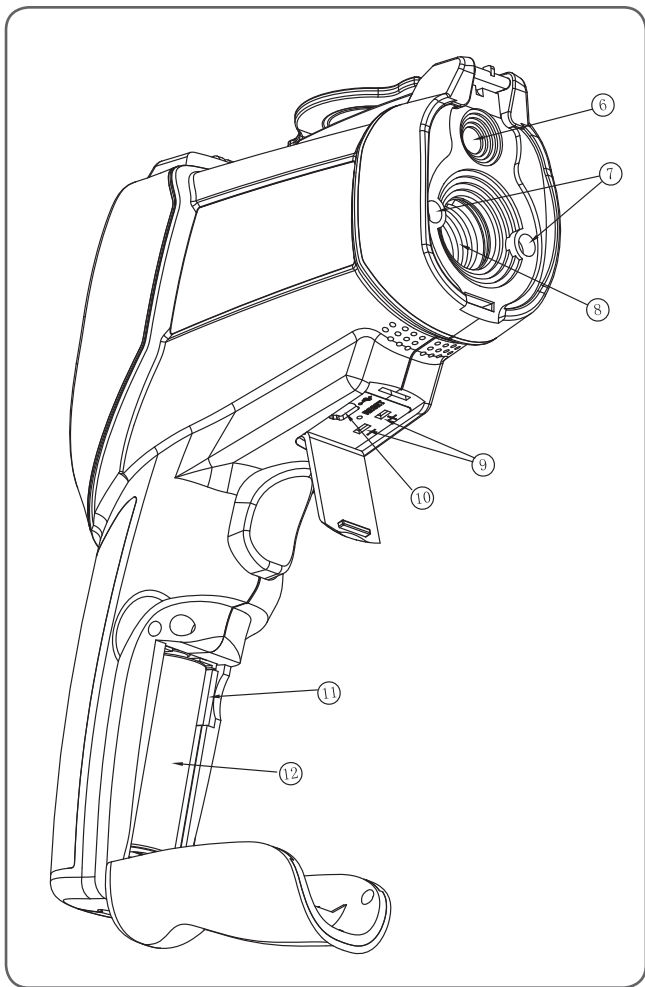
工作要求	
工作温度	0 至 50 °C (32 至 120 °F)
存储温度	-10 至 +60 °C (-4 至 +150 °F)
相对湿度	10 至 90% 相对湿度, 无冷凝
防护等级	IP 40

包装内容	
1 × 红外测温仪 TKTL 40	
1 × 接触探头 TMDT 2-30	
1 × 交流电池充电器	
1 × 小型三脚架	
1 × Mini USB 至 USB 连接电缆	
1 × 使用说明书	

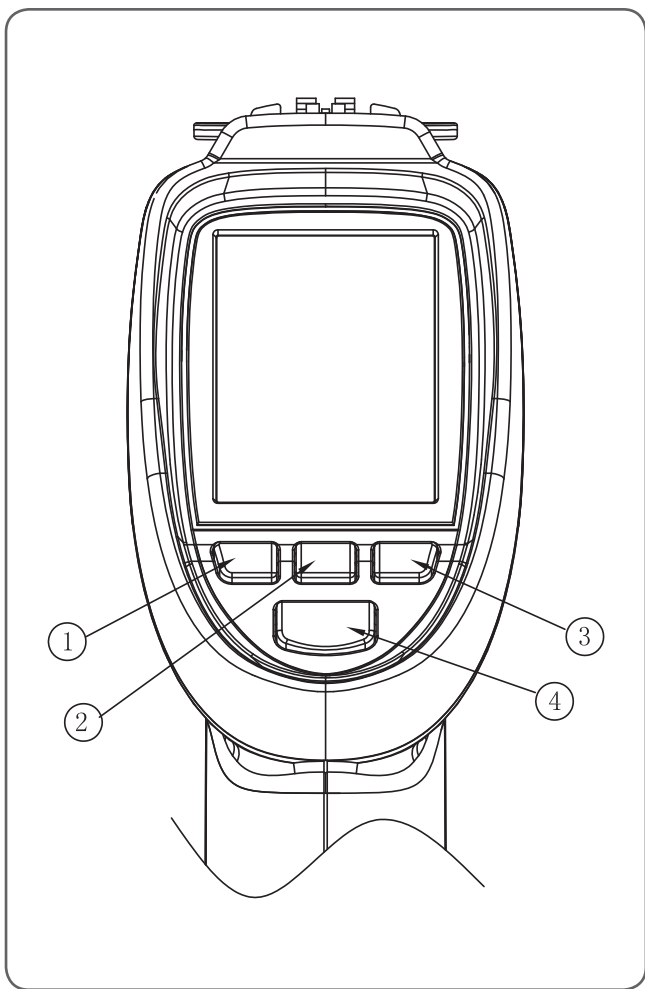
4. 前面板和按钮描述



项目	描述
1	LCD 显示屏
2	按钮
3	电池盖
4	测量触发器
5	磁性镜头盖



项目	描述
6	光学摄像头
7	激光
8	红外传感器
9	K 型热偶插槽
10	Mini USB 计算机和电源适配器接头
11	Micro SD 内存卡插口
12	电池



项目	描述
1	向上 (UP) 或拍照 (Picture) 按钮
2	电源 (Power) /退出 (Esc) 按钮
3	向下 (Down) 或视频 (video) 按钮
4	模式 (Mode) /输入 (Enter) 按钮

5. 菜单概述

开/关摄像头：

- 按住电源 (Power) 按钮，直至 LCD 打开，从而打开摄像头。
- 按住电源 (Power) 按钮，直至 LCD 关闭，从而关闭摄像头。

5.1 测量模式

TKTL 40 具有六种模式：

按退出 (ESC) 按钮可显示这六种模式。使用向上 (UP) 或向下 (Down) 按钮可选择模式。



项目	描述
红外摄像头	使用摄像头图像来测量红外温度和其他参数
IR 测量	不使用摄像头图像的情况下测量红外温度和其他参数
露点	露点可视化模式
数据记录	数据记录模式
图库	显示所记录的图片、数据记录和视频
设置	修改摄像头设置

符号	描述
	摄像头模式
	红外模式
	露点模式
	激光
	扫描
	高温报警
	高温报警工作
	低温报警
	低温报警工作
	保持

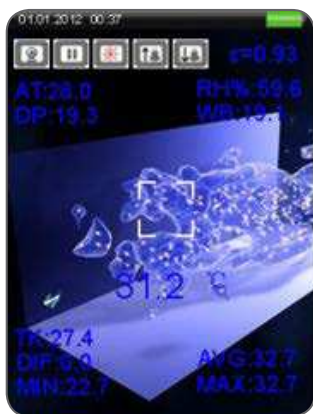
5.2 红外摄像头模式

用于使用摄像头来测量红外温度、气温、空气湿度、露点温度以及湿球温度。

可以显示红外最高温度、最低温度、温差、平均温度。

按下并按住触发器可测量温度。

该操作允许拍照和录制视频。



5.2.1 拍照

按 ▲ 按钮可拍照，然后再次按 ▲ 按钮可保存图片，或使用 ▼ 按钮来删除图片。



5.2.2 拍摄视频

按 ▼ 按钮可开始录制视频。
再次按 ▼ 按钮可停止录制并保存视频。

缩放功能：

长按 ▼ 按钮可缩小。

长按 ▲ 按钮可放大。

5.3 红外测量模式

用于在不使用摄像头的情况下测量红外温度、气温、空气湿度、露点温度以及湿球温度。

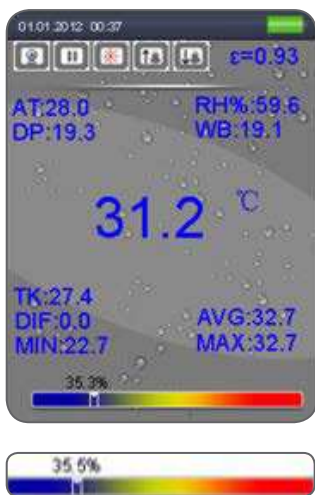
可以显示红外最高温度、最低温度、温差、平均温度。

按下并按住触发器可测量温度。



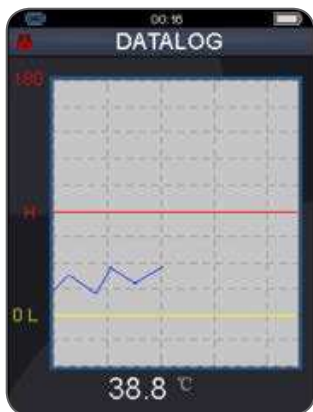
5.4 露点测量模式

按住触发器可开始测量。



百分比表示所测得红外温度与露点温度的接近程度。在比例达到100%时，测得的红外温度即为露点水平。

5.5 数据记录



按触发器一次可开始日志记录测量。

按退出 (Esc) 按钮可退出日志记录模式，并自动将数据保存在内存或存储卡中。

注意：

在日志时间设置中可定义测量记录的时间间隔。

日志可在图库中进行可视化操作，或通过 USB 连接下载到计算机中。

5.6 图库



项目	描述
视频	播放保存的视频
图片	显示保存的图片
日志	显示数据日志

- 按向上 (UP) 和向下 (Down) 按钮可选择图片、视频或日志。然后按输入 (ENTER) 按钮。
- 视频回放
按输入 (ENTER) 按钮可暂停或播放。
按退出 (Esc) 按钮可退出。



- 照片查看：
按输入 (ENTER) 按钮可打开菜单，按向上 (UP) 按钮可回到上一图片文件，按向下 (Down) 按钮可转至下一图片文件。



- 删除图片：
按住输入 (ENTER) 按钮，直至删除菜单出现。
- 删除视频：
在文件列表中按住输入 (ENTER) 按钮，直至删除菜单出现。

5.7 设置



符号	设置
	语言
	日期/时间
	温度单位
	内存
	在按下按钮时发出提示音
	自动关闭屏幕
	自动关闭电源
	系统默认设置

5.7.1 语言



按向上 (UP) 和向下 (Down) 按钮可选择语言, 按退出 (Esc) 按钮可退出并保存所选的语言。

5.7.2 日期/时间



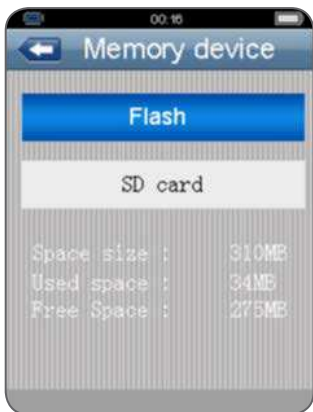
按向上 (UP) 和向下 (Down) 按钮可选择日期或时间, 然后按输入(ENTER)按钮以进入, 按向上 (UP) 和向下 (Down) 按钮可调整该值, 按退出 (Esc) 按钮可退出并保存。

5.7.3 单位

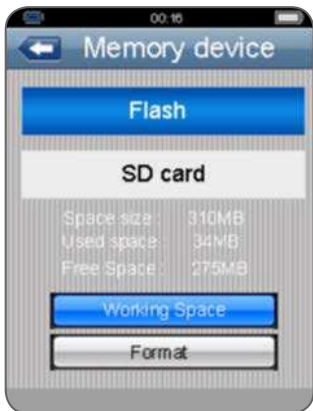


按向上 (UP) 和向下 (Down) 按钮可选择单位, 按退出 (Esc) 按钮可退出并保存。

5.7.4 内存



按向上 (UP) 和向下 (Down) 按钮可选择存储设备，按输入 (ENTER)按钮可进入。可以选择内存或内存卡。



5.7.5 发声开关



按向上 (UP) 和向下 (Down) 按钮可选择发声开关的状态，按退出 (Esc) 按钮可退出并保存所选的发声开关状态。

5.7.6 自动关闭屏幕



按向上 (UP) 和向下 (Down) 按钮可选择屏幕自动关闭的时间或禁用该功能。

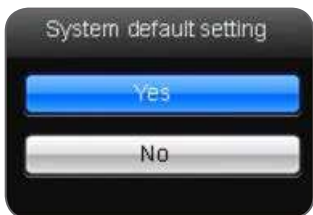
按退出 (Esc) 按钮可退出并保存。

5.7.7 自动关闭电源



按向上 (UP) 和向下 (Down) 按钮可选择自动关闭电源的时间或从不自动关闭电源，按退出 (Esc) 按钮可退出并保存。

5.7.8 系统默认设置



选择“是(Yes)”可重置所有设置。存储的数据不会受影响。

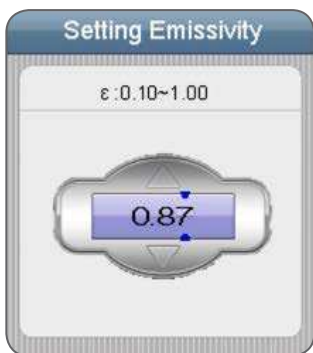
6. 测量设置

在任何模式下按输入 (ENTER) 按钮都可进入菜单。



项目	描述
热辐射率	设置热辐射率
高温报警	设置高温报警
低温报警	设置低温报警
激光	启用或禁用激光
自动模式	启用后可进行连续测量
最大/最小	显示最大或最小红外温度
平均/差值	显示红外温度的平均值或差值
环境温度/相对湿度百分比	显示气温和相对湿度
露点/湿球	显示露点和湿球温度
K 型	启用或禁用 K 型热电偶测量
颜色	字体颜色

6.1 热辐射率设置



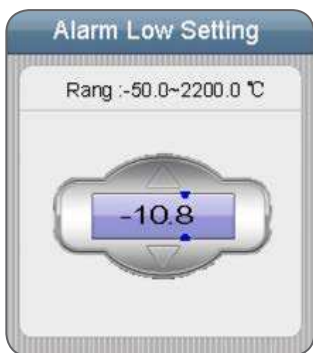
在第一个项目上按输入 (ENTER) 按钮可调整热辐射率, 按向上 (UP) 和向下 (Down) 按钮可调整该值, 然后按输入 (ENTER) 按钮确认。按向上 (UP) 和向下 (Down) 按钮可选择材料的热辐射率, 按退出 (Esc) 按钮可退出并保存。

6.2 高温报警



在第一行按输入 (ENTER) 按钮并使用向上 (UP) 和向下 (Down) 按钮可调整该值。按输入 (ENTER) 按钮可确认, 按退出 (Esc) 按钮可退出并保存。

6.3 低温报警



在第一行按输入按钮并使用向上 (UP) 和向下 (Down) 按钮可调整该值。按输入按钮可确认，按退出 (Esc) 按钮可退出并保存。

6.4 激光



启用



禁用

按输入 (ENTER) 按钮可启用或禁用激光。
按退出 (Esc) 按钮可保存。

6.5 自动模式

激活以启用红外温度的连续测量功能。

6.6 最大/最小



启用



禁用

按输入 (ENTER) 按钮可启用或禁用。

按退出 (Esc) 按钮可退出并保存。

6.7 平均/差值



启用



禁用

按输入 (ENTER) 按钮可启用或禁用。

按退出 (Esc) 按钮可退出并保存。

6.8 环境温度/相对湿度百分比



启用



禁用

按输入按钮可启用或禁用。

按退出 (Esc) 按钮可退出并保存。

6.9 露点/湿球



启用



禁用

按输入 (ENTER) 按钮可启用或禁用。

按退出 (Esc) 按钮可退出并保存。

6.10 触点温度探头的 K 型测量



启用



禁用

按输入 (ENTER) 按钮可启用或禁用。

按退出 (Esc) 按钮可退出并保存。

注意:

在 K 型探头连接到 TKTL 40 时, 将自动显示测得温度。

6.11 颜色



选择字体颜色。



7. 注意事项

- 红外的工作方式是怎样的？
红外测温仪可测量物体的表面温度。该单元的光学设备可感应辐射出的、反射的和传输的能量，并在探测器上进行采集并对焦。该单元的电子元件可将有关信息转换为温度读数，进而显示在该单元上。激光仅用于对焦。
- 视野
确保目标尺寸大于该单元的光点尺寸。
目标尺寸越小，应离得越近。
当精度的重要性较高时，确保目标的尺寸至少为光点尺寸的两倍。
- 距离和光点尺寸
在与物体的距离 (D) 增加的情况下，单元所测得区域的光点尺寸 (S) 将变大。
请参见本手册起始处的图片。
- 定位热点
如要查找热点，则将测温仪对准有关区域的外部，然后通过上下移动来扫描，直至定位到热点为止。
- 提示
 - 请勿使用该单元来测量闪光或抛光的金属表面（不锈钢、铝，等等）。请参见“热辐射率”部分。
 - 该单元无法穿透玻璃等完全通透的表面去测量其他物体的温度。相反，将测量玻璃的表面温度。
 - 蒸汽、灰尘、烟雾等可遮挡该单元的光学元件，从而影响测量精度。
- 辐射率
辐射率这一术语用于描述材料辐射能量的特性。
大多数（典型应用中的 90%）有机材料和具有涂层或氧化的表面，热辐射率都在 0.95（设备中已预设）。对闪光或抛光的金属表面进行测量将产生精度不足的读数。为了进行补偿，请使用遮蔽胶带或黑漆来覆盖住要测量的表面。等待一定的时间以使胶带达到与其下材料相同的温度。测量胶带或涂层表面的温度。

8. 辐射率表

物质	热辐射率	物质	热辐射率
沥青	0,90 至 0,98	布 (黑色)	0,98
混凝土	0,94	人的皮肤	0,98
水泥	0,96	肥皂泡	0,75 至 0,80
砂子	0,90	焦炭 (粉末)	0,96
土壤	0,92 至 0,96	清漆	0,80 至 0,95
水	0,92 至 0,96	清漆 (无光)	0,97
冰	0,96 至 0,98	橡胶 (黑色)	0,94
雪	0,83	塑料	0,85 至 0,95
玻璃	0,90 至 0,95	木头	0,90
陶瓷	0,90 至 0,94	纸	0,70 至 0,94
大理石	0,94	氧化铬	0,81
石膏	0,80 至 0,90	氧化铜	0,78
灰浆	0,89 至 0,91	氧化铁	0,78 至 0,82
砖	0,93 至 0,96	织物	0,90

9. 备件

订货号	描述
TMDT 2-30	接触探头
TDTC 1/X	不含缓冲填料的通用手提箱, 尺寸X

Содержание

Декларация соответствия ЕС	186
Рекомендации по безопасности	187
1. Введение	188
2. Особенности.....	189
3. Технические характеристики	190
4. Передняя панель и описание кнопок.....	192
5. Обзор меню.....	195
5.1 Режим измерения	195
5.2 Режим IR CAM	196
5.2.1 Фотосъемка.....	197
5.2.2 Видеосъемка.....	197
5.3 Режим IR measurement.....	197
5.4 Режим DEWPOINT.....	198
5.5 Datalogger	198
5.6 Gallery	199
5.7 Settings (Настройки)	200
5.7.1 Язык	201
5.7.2 Дата/время.....	201
5.7.3 Единицы измерения.....	201
5.7.4 Память	202
5.7.5 Звуковой сигнал	202
5.7.6 Автоматическое отключение дисплея.....	203
5.7.7 Автоматическое отключение питания.....	203
5.7.8 Системные настройки «по-умолчанию».....	203
6. Настройки измерения	204
6.1 Установка коэффициента излучения.....	205
6.2 Настройка сигнализации высокой температуры.....	205
6.3 Настройка сигнализации низкой температуры	206
6.4 Лазер	206
5.2 Автоматический режим	206
6.6 Max/Min	207
6.7 Средняя температура/Разность температур.....	207
6.8 Температура и относительная влажность воздуха	207
6.9 Температура конденсации/температура смоченного термометра	207
6.10 Контактное измерение температуры с помощью термопары типа K.....	207
6.11 Цвет.....	208
7. Дополнительная информация	209
8. Таблица коэффициентов излучения	210
9. Запасные части.....	210

Декларация соответствия ЕС

Мы,
SKF Maintenance Products
Kelvinbaan 16
3439 MT Nieuwegein
The Netherlands (Нидерланды)

настоящим заявляем, что следующий продукт:

Инфракрасный термометр SKF TKTL 40

был разработан и изготовлен в соответствии с:
Директивой EMC 2004/108/ЕС, как указано в согласованных
нормах

EN 55022:2006+A1:2007

EN 55024:1998+A1:2001+A2:2003

EN 61326-1:2006

EN 61326-2-1:2006

IEC 61326-1:2005

IEC 61326-2-1:2005

Лазер классифицирован в соответствии с нормой ЕС
EN 60825-1:1994/A2:2001/A1:2002

Европейская Директива 2011/65/EU по ограничению
использования опасных веществ в электрооборудовании и
электронном оборудовании

Nieuwegein, Нидерланды
ноябрь, 2013 г.



Себастьян Дэвид (Sébastien David)
Менеджер отдела проектирования и качества



Рекомендации по безопасности

- Следует прочитать и соблюдать инструкции по эксплуатации.
- Не смотреть на источник лазера.
- Никогда не направлять луч лазера в глаза.
- Не вскрывать прибор.
- Все ремонтные работы должны проводиться ремонтной службой SKF.



1. Введение

SKF TKTL 40 - это портативный, легкий, многофункциональный прибор для измерения температуры на безопасной дистанции от исследуемого объекта. Просто прицельтесь, нажмите на кнопку, и температура будет показана на дисплее. Пользователь может также измерить температуру контактным способом с помощью термодатчика, поставляемой в комплекте с прибором.

Этот многофункциональный инструмент позволяет сопровождать результаты измерений фотографиями и видеозаписями. Кроме того, он может измерить и отобразить на дисплее характеристики окружающей среды.



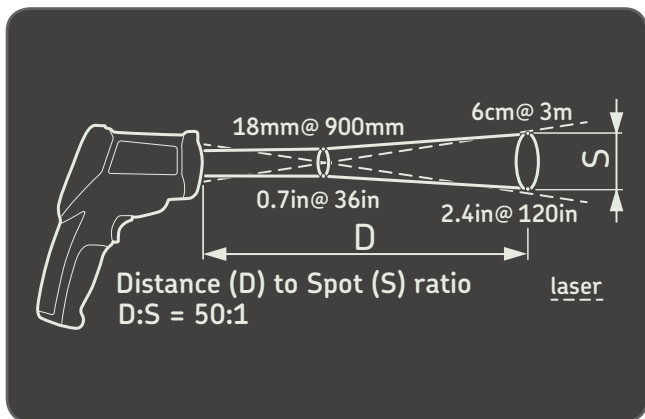
2. Особенности

- Жидкокристаллический TFT с диагональю 2,2 дюйма
- Цифровая камера 640 × 480 пикселей
- Внутренняя память с возможность расширения до 8 ГБ с помощью карты Micro SD
- Фотографии (JPEG) и видео (MP4)
- Измерение влажности и температуры воздуха
- Двойное лазерное прицеливание
- Датчик-термопара, тип K
- Регулируемый коэффициент излучения
- Высокая точность
- Быстродействие
- Измерение температуры конденсации и температуры смоченного термометра

Расстояние до объекта и размер пятна

При увеличении расстояния от объекта (D) также увеличивается размер пятна (S) измеряемого участка.

Взаимосвязь между расстоянием и пятном контакта показана ниже. Пятно контакта соответствует 90% измеряемой энергии.



3. Технические характеристики

Общие сведения	
Дисплей	цветной жидкокристаллический дисплей 320 × 240, с подсветкой, 2,2"
Разрешение дисплея	0,1° до 1000°
Настройка коэффициента излучения	0,10–1,00
Подсветка дисплея	Включена всегда
Режимы измерения	Минимум, максимум, среднее значение, разность, одновременное отображение на дисплее показаний термопары и инфракрасного датчика
Возможность измерения характеристик окружающей среды	Температура смоченного термометра, температура конденсации, влажность, температура воздуха
Режимы аварийной сигнализации	Верхний и нижний предел срабатывания звуковой сигнализации
Фото- и видеорежим	Цифровая камера 640 × 480, фотографии (JPEG) и видео (3GP)
Память	Встроенная память 310 Мб, расширяемая до 8 Гб с помощью карты Micro SD
Подключение к персональному компьютеру	Присутствует, кабель mini USB
Лазерный указатель	2 × встроенный лазер класса 2, включение/выключение
Максимальная мощность лазера	1 мВт
Автоматическое отключение	3 минуты, регулируемое
Крепление для трипода	1/4" BSW

Измерение температуры в инфракрасном режиме

Отношение расстояния до объекта к размеру пятна (D:S)	50:1
Температурный диапазон при инфракрасном режиме измерения	от –50 до +1 000 °C (от –58 до +1 832 °F)
Точность	от 20 до 500 °C ±1%, в абсолютном значении ±1 °C (1,8 °F) в зависимости от того что больше от 500 до 1 000 °C ± 1,5% от –50 до +20 °C ±3,5 °C (6,3 °F)
Время отклика	<300 мс
Спектральная чувствительность	8 -14 μм

Измерение температуры контактным способом с помощью термопары

Температурный диапазон при контактных измерениях	от -50 до +1 370 °C (от -58 до +2 498 °F)
Совместимость с термопарами	Тип К
Термопара, поставляемая в комплекте	TMDT 2-30, может использоваться для измерения температуры до 900 °C (1 650 °F)
Точность	от 0 до 1 370 °C ±0,5% от измеряемой величины ±1,5 °C (±2,7 °F) от -50 до 0 °C ±2,5 °C (4,5 °F)

Аккумуляторная батарея и электропитание

Аккумуляторная батарея	1 × заряжаемая литиево-ионная батарея, 3,7 В 1 400 мАч, 5,2 Вт
Длительность работы	4 часов непрерывной работы
Адаптер электропитания	компактное зарядное устройство 100–240 В, 50–60 Гц с вилками для Европы, США, Соединенного Королевства и Австралии
Длительность зарядки	2 часа от адаптера электропитания

Размеры и вес

Размеры устройства	205 × 155 × 62 мм (8,1 × 6,1 × 2,4 дюйма)
Вес устройства	500 г (1,1 фунта)
Размеры футляра	530 × 85 × 180 мм (20,9 × 3,4 × 7,0 дюйма)
Общая масса (вкл. футляр)	1,7 кг (3,8 фунта)

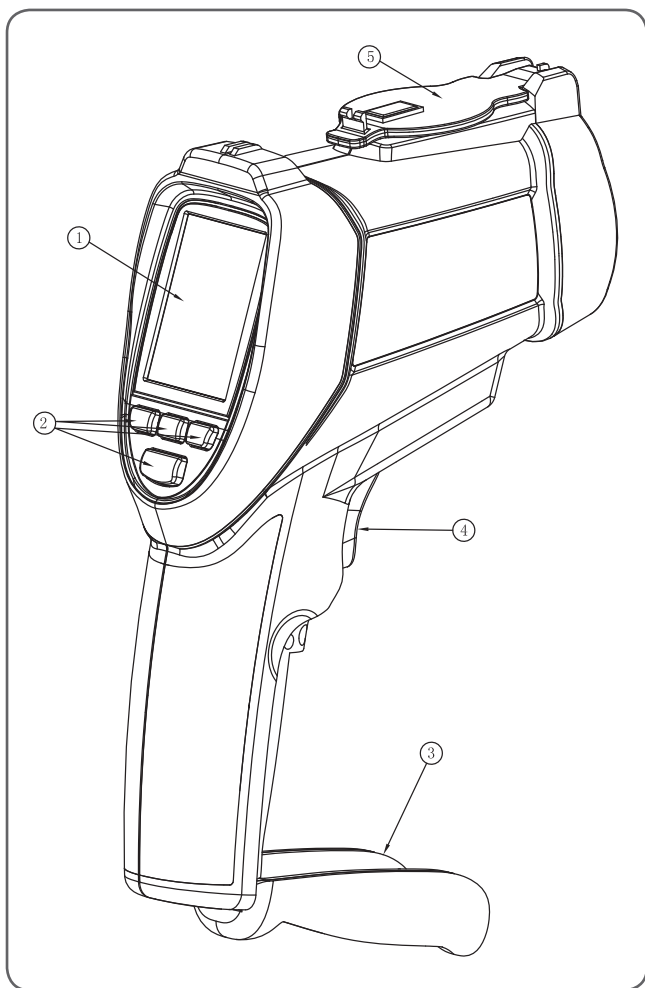
Рабочие условия

Рабочая температура	от 0 до 50 °C (от 32 до 120 °F)
Температура хранения	от -10 до +60 °C (от -4 до +150 °F)
Относительная влажность	от 10 до 90 %, без конденсации
Класс IP	IP 40

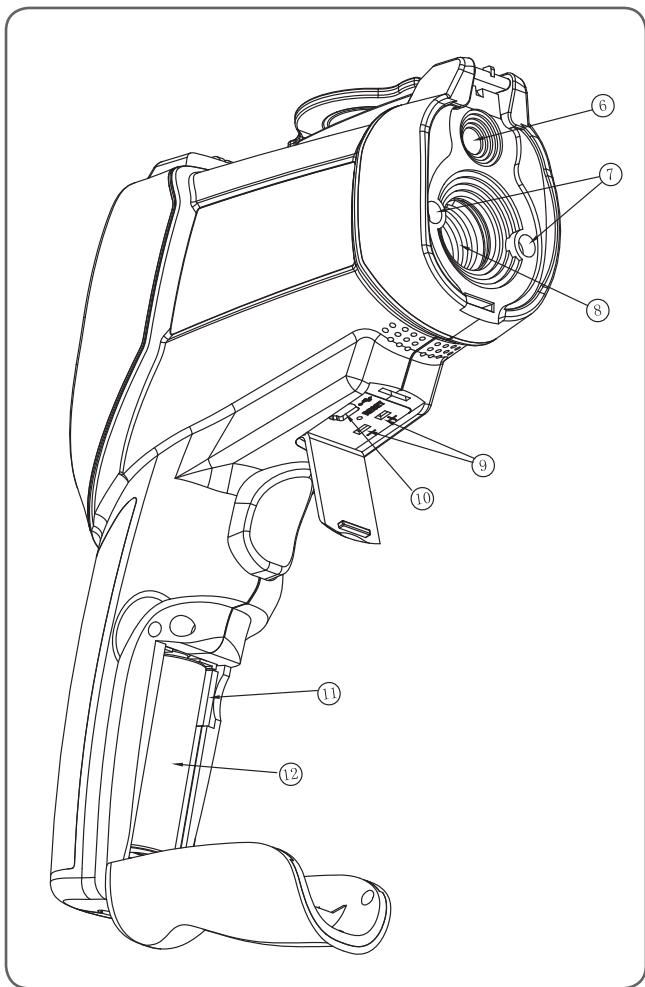
Комплектация

1 × Инфракрасный термометр SKF TKTL 40
1 × Термопара TMDT 2-30
1 × Зарядное устройство
1 × Минитрипод
1 × Соединительный кабель Mini USB / USB
1 × Инструкция по эксплуатации

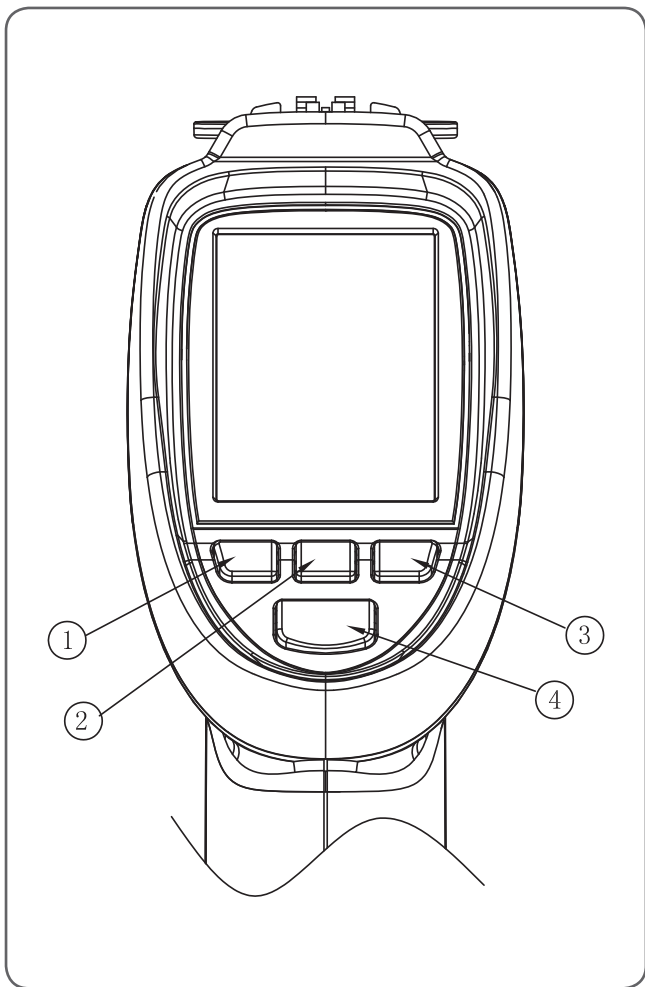
4. Передняя панель и описание кнопок



Позиция	Описание
1	Жидкокристаллический дисплей
2	Кнопки управления
3	Крышка батарейного отсека
4	Спусковой крючок
5	Магнитная крышка объектива



Позиция	Описание
6	Оптическая камера
7	Лазеры
8	Инфракрасный сенсор
9	Гнездо для подключения термопары, тип К
10	Гнездо Mini USB для подключения компьютера и адаптера электропитания
11	Гнездо для карты памяти Micro SD
12	Аккумуляторная батарея



Позиция	Описание
1	Кнопка UP/Picture (ВВЕРХ/Фото)
2	Кнопка Power/Esc (Питание/Выход)
3	Кнопка Down/video (Вниз/видео)
4	Кнопка Mode/Enter (Режим/Ввод)

5. Обзор меню

Включение камеры

- Для включения камеры нажмите и удерживайте кнопку Power пока не включится жидкокристаллический дисплей.
- Для выключения камеры нажмите и удерживайте кнопку Power пока не выключится жидкокристаллический дисплей.

5.1 Режим измерения

Прибор TKTL 40 имеет шесть режимов работы:

Для отображения шести режимов нажмите кнопку ESC. Используйте кнопки UP и DOWN для выбора режима.



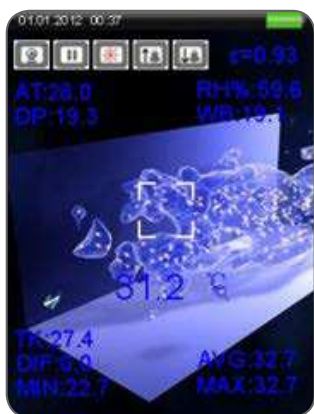
Позиция	Описание
IR CAM	Измерение температуры инфракрасным сенсором и прочих параметров с получением изображения
IR Measure	Измерение температуры инфракрасным сенсором и прочих параметров без получения изображения
Dewpoint	Визуализация температуры конденсации
Datalogger	Режим регистратора
Gallery	Отображение сохраненных фотографий, данных и видео
Settings	Изменение настроек камеры

Символ	Описание
	Режим камеры
	Инфракрасный режим
	Режим измерения температуры конденсации
	Лазер
	Сканирование
	Сигнализация максимального значения
	Срабатывание сигнализации максимального значения
	Сигнализация минимального значения
	Срабатывание сигнализации минимального значения
	Пауза

5.2 Режим IR CAM

Используется для измерения температуры инфракрасным сенсором, для измерения температуры и влажности воздуха, температуры конденсации и температуры смоченного термометра с получением изображения.

В этом режиме можно выводить на дисплей значения максимальной и минимальной температуры, разность температуры, среднюю температуру. Для измерения температуры нажмите и удерживайте спусковой крючок. Это позволяет снимать фотографии и видео.



5.2.1 Фотосъемка

Нажмите кнопку ▲ для получения фотографии, затем еще раз нажмите кнопку ▲ для сохранения фотографии или кнопку ▼ для удаления фотографии.



5.2.2 Видеосъемка

Нажмите кнопку ▼ для начала видеозаписи.
Нажмите кнопку ▼ еще раз для окончания видеозаписи и ее сохранения.

Масштабирование изображения:

Для уменьшения масштаба используйте длительное нажатие кнопки ▼.
Для увеличения масштаба используйте длительное нажатие кнопки ▲.

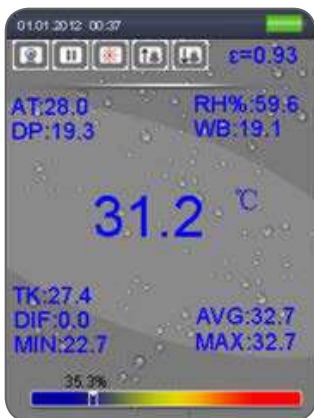
5.3 Режим IR measurement

Используется для измерения температуры инфракрасным сенсором, для измерения температуры и влажности воздуха, температуры конденсации и температуры смоченного термометра без получения изображения.

В этом режиме можно выводить на дисплей значения максимальной и минимальной температуры, разность температуры, среднюю температуру. Для измерения температуры нажмите и удерживайте спусковой крючок.



5.4 Режим DEWPOINT

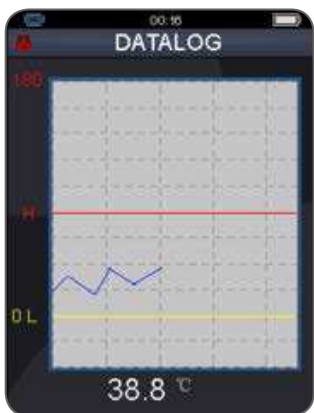


Нажмите и удерживайте спусковой крючок для начала измерения.



Величина в процентах показывает насколько близка температура, измеренная инфракрасным сенсором, к температуре конденсации. При 100% температура, измеренная инфракрасным сенсором, равна температуре конденсации.

5.5 Datalogger



Для начала измерений в режиме регистратора нажмите однократно спусковой крючок. Нажмите кнопку ESC для выхода из режима DATALOGGER и автоматического сохранения данных во встроенной памяти или на карте памяти.

Примечание:

Задайте временной интервал записи измерений в настройках режима регистратора. Сохраненные данные можно просмотреть в режиме gallery или выгрузить на компьютер через USB-соединение.

5.6 Gallery



Позиция	Описание
Video	Воспроизведение сохраненных видеозаписей
Picture	Просмотр сохраненных фотографий
Logs	Просмотр данных, сохраненных в режиме регистратора

- Нажмите кнопки UP и DOWN для выбора пункта picture, video или Logs. Затем нажмите кнопку ENTER.
- **Воспроизведение видео:**
Нажмите кнопку ENTER для паузы или воспроизведения
Нажмите кнопку Esc для выхода.











- **Просмотр фотографий:**
Нажмите кнопку ENTER для открытия меню, нажмите кнопку UP для перехода к предыдущей фотографии, нажмите кнопку DOWN для перехода к следующей фотографии.



- **Удаление фотографии:**
Нажмите и удерживайте кнопку ENTER, пока не появится меню удаления.
- **Удаление видеозаписи:**
Нажмите и удерживайте кнопку ENTER на перечне файлов, пока не появится меню удаления.

5.7 Settings (Настройки)



Символ	Настройки
	Язык
	Дата/время
	Единицы измерения температуры
	Память
	Звуковой сигнал при нажатии кнопок
	Автоматическое отключение дисплея
	Автоматическое отключение питания
	Системные настройки "по-умолчанию"

5.7.1 Язык



Нажмите кнопки UP и DOWN для выбора языка, нажмите кнопку ESC для выхода и сохранения выбранного языка.

5.7.2 Дата/время



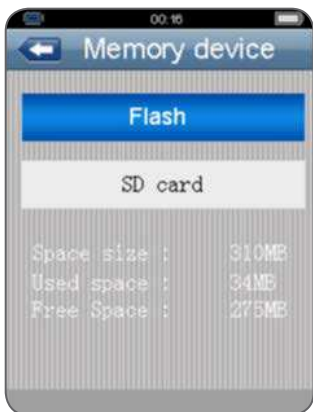
Нажмите кнопки UP и DOWN для выбора даты или времени, затем нажмите кнопку ENTER для входа в режим редактирования, нажмите кнопки UP и DOWN для изменения значения, нажмите кнопку ESC для выхода и сохранения.

5.7.3 Единицы измерения

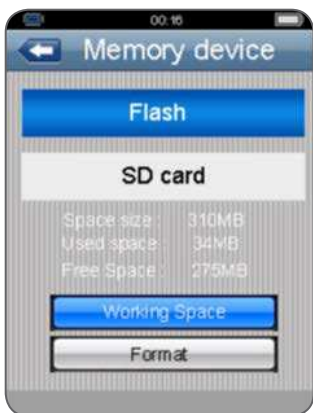


Нажмите кнопки UP и DOWN для выбора единицы измерения, нажмите кнопку ESC для выхода и сохранения.

5.7.4 Память



Нажмите кнопки UP и DOWN для выбора пункта Memory, нажмите кнопку ENTER для входа. Можно выбрать встроенную память или карту памяти.



5.7.5 Звуковой сигнал



Нажмите кнопки UP и DOWN для выбора режима работы звукового сигнала, нажмите кнопку ESC для выхода и сохранения выбранного режима.

5.7.6 Автоматическое отключение дисплея



Нажмите кнопки UP и DOWN для выбора времени автоматического отключения дисплея или для отключения функции. Нажмите кнопку Esc для выхода и сохранения.

5.7.7 Автоматическое отключение питания



Нажмите кнопки UP и DOWN для выбора времени автоматического отключения питания или для отключения функции, нажмите кнопку ESC для выхода и сохранения.

5.7.8 Системные настройки "по-умолчанию"



Выберите Yes (Да) для сброса всех настроек. Это действие не распространяется на сохраненные данные.

6. Настройки измерения

В любом режиме работы нажмите кнопку ENTER в меню.



Позиция	Описание
Emissivity	Установка коэффициента излучения
Alarm High	Настройка сигнализации высокой температуры
Alarm Low	Настройка сигнализации низкой температуры
Laser	Включение или отключение лазера
Auto Mode	Непрерывное измерения, если доступно
Max/Min	Отображение максимальной или минимальной температуры, измеренной инфракрасным сенсором
Average/Dif	Отображение средней температуры или разности температур, измеренных инфракрасным сенсором
Ambient temp /% RH	Отображение температуры воздуха и относительной влажности
Dewpoint/ wet bulb	Отображение температуры конденсации и температуры смоченного термометра
Type k	Включение или отключение входа для термопары
Color	Цвет шрифта

6.1 Установка коэффициента излучения



На первом пункте нажмите кнопку ENTER для изменения значения коэффициента излучения, нажмите кнопки UP и DOWN для изменения значения, затем нажмите кнопку ENTER для подтверждения. Нажмите кнопки UP и DOWN для выбора коэффициента чувствительности по типу материала, нажмите кнопку ESC для выхода и сохранения.

6.2 Настройка сигнализации высокой температуры



Нажмите кнопку ENTER на первой строчке, используйте кнопки UP и DOWN для изменения значения. Нажмите кнопку ENTER для подтверждения, нажмите кнопку ESC для выхода и сохранения.

6.3 Настройка сигнализации низкой температуры



Нажмите кнопку ENTER на первой строчке, используйте кнопки UP и DOWN для изменения значения. Нажмите кнопку ENTER для подтверждения, нажмите кнопку ESC для выхода и сохранения.

6.4 Лазер



Включен



Выключен

Нажмите кнопку ENTER для включения или отключения лазера. Нажмите кнопку ESC для сохранения.

5.2 Автоматический режим

Включает режим непрерывного измерения температуры инфракрасным сенсором.

6.6 Max/Min



Включен



Выключен

Нажмите кнопку ENTER для включения или отключения.
Нажмите кнопку ESC для выхода и сохранения.

6.7 Средняя температура/Разность температур



Включен



Выключен

Нажмите кнопку ENTER для включения или отключения.
Нажмите кнопку ESC для выхода и сохранения.

6.8 Температура и относительная влажность воздуха



Включен



Выключен

Нажмите кнопку ENTER для включения или отключения.
Нажмите кнопку ESC для выхода и сохранения.

6.9 Температура конденсации/температура смоченного термометра



Включен



Выключен

Нажмите кнопку ENTER для включения или отключения.
Нажмите кнопку ESC для выхода и сохранения.

6.10 Контактное измерение температуры с помощью термопары типа К



Включен



Выключен

Нажмите кнопку ENTER для включения или отключения.
Нажмите кнопку ESC для выхода и сохранения.

Примечание:

При подключении к TKTL 40 термопары типа К измеренная температура будет автоматически отображаться на дисплее.

6.11 Цвет



Выберите цвет шрифта.



7. Дополнительная информация

- **Как работает инфракрасный измеритель?**

Инфракрасные термометры измеряют температуру поверхности объекта. Оптика прибора улавливает и фокусирует на детекторе излученную, отраженную и переданную энергию.

Электроника прибора преобразует информацию в значения температуры, которые отображаются на дисплее прибора.

Для прицеливания используется лазер.

- **Поле обзора**

Убедитесь, что объект больше размера пятна.

Чем меньше объект, тем ближе Вы должны находиться.

Когда точность измерения имеет решающее значение, убедитесь, что объект больше размера пятна как минимум в два раза.

- **Расстояние до объекта и размер пятна**

При увеличении расстояния от объекта (D) также увеличивается размер пятна (S) измеряемого участка.

См. рисунок в начале данного руководства.

- **Обнаружение горячей зоны**

Для обнаружения горячей зоны нацельте термометр за пределами исследуемого участка, затем просканируйте участок в поперечном направлении с одновременным движением вверх-вниз.

- **Памятки**

- Не используйте прибор для измерения температуры блестящих или полированных металлических поверхностей (нержавеющая сталь, алюминий и т.д.). См. "Коэффициент излучения".

- Прибор не способен измерить температуру объекта через прозрачные поверхности, например, через стекло. Он будет измерять температуру поверхности стекла.

- Пар, пыль, дым и пр. могут снизить точность измерения, перекрывая прохождения излучения в оптику прибора.

- **Коэффициент излучения**

Коэффициент излучения – понятие, используемое для описания способности материала излучать энергию.

Большинство органических материалов (90%) и окрашенные или окисленные поверхности имеют коэффициент излучения равный 0,95 (заводская настройка прибора). При измерении температуры блестящих или полированных металлических поверхностей результаты измерений будут неточными. Для устранения этого затруднения закройте исследуемую поверхность маскировочной лентой или окрасьте черной краской. Дайте время для того, чтобы лента приняла температуру исследуемого материала.

Измерьте температуру ленты или окрашенной поверхности.

8. Таблица коэффициентов излучения

Материал	Коэффициент излучения	Материал	Коэффициент излучения
Асфальт	от 0,90 до 0,98	Ткань (черная)	0,98
Бетон	0,94	Кожа человека	0,98
Цемент	0,96	Пена	от 0,75 до 0,80
Песок	0,90	Уголь (порошок)	0,96
Земля	от 0,92 до 0,96	Лак	от 0,80 до 0,95
Вода	от 0,92 до 0,96	Лак (матовый)	0,97
Лед	от 0,96 до 0,98	Резина (черная)	0,94
Снег	0,83	Пластмасса	от 0,85 до 0,95
Стекло	от 0,90 до 0,95	Лесоматериал	0,90
Керамика	от 0,90 до 0,94	Бумага	от 0,70 до 0,94
Мрамор	0,94	Оксиды хрома	0,81
Гипс	от 0,80 до 0,90	Оксиды меди	0,78
Строительный раствор	от 0,89 до 0,91	Оксиды железа	от 0,78 до 0,82
Кирпич	от 0,93 до 0,96	Текстиль	0,90

9. Запасные части

Обозначение	Наименование
TMDT 2-30	Термопара
TDTC 1/X	Общий кейс без содержимого, размер X

The contents of this publication are the copyright of the publisher and may not be reproduced (even extracts) unless prior written permission is granted. Every care has been taken to ensure the accuracy of the information contained in this publication but no liability can be accepted for any loss or damage whether direct, indirect or consequential arising out of the use of the information contained herein.

Le contenu de cette publication est soumis au copyright de l'éditeur et sa reproduction, même partielle, est interdite sans autorisation écrite préalable. Le plus grand soin a été apporté à l'exactitude des informations données dans cette publication mais SKF décline toute responsabilité pour les pertes ou dommages directs ou indirects découlant de l'utilisation du contenu du présent document.

Nachdruck, auch auszugsweise, nur mit unserer vorherigen schriftlichen Genehmigung gestattet. Die Angaben in dieser Druckschrift wurden mit größter Sorgfalt auf ihre Richtigkeit hin überprüft. Trotzdem kann keine Haftung für Verluste oder Schäden irgendwelcher Art übernommen werden, die sich mittelbar oder unmittelbar aus der Verwendung der hier enthaltenen Informationen ergeben.

El contenido de esta publicación es propiedad de los editores y no puede reproducirse (incluso parcialmente) sin autorización previa por escrito. Se ha tenido el máximo cuidado para garantizar la exactitud de la información contenida en esta publicación, pero no se acepta ninguna responsabilidad por pérdidas o daños, ya sean directos, indirectos o consecuentes, que se produzcan como resultado del uso de dicha información.

La riproduzione, anche parziale, del contenuto di questa pubblicazione è consentita soltanto previa autorizzazione scritta della SKF. Nella stesura è stata dedicata la massima attenzione al fine di assicurare l'accuratezza dei dati, tuttavia non si possono accettare responsabilità per eventuali errori od omissioni, nonché per danni o perdite diretti o indiretti derivanti dall'uso delle informazioni qui contenute.

O conteúdo desta publicação é de direito autoral do editor e não pode ser reproduzido (nem mesmo parcialmente), a não ser com permissão prévia por escrito. Todo cuidado foi tomado para assegurar a precisão das informações contidas nesta publicação, mas nenhuma responsabilidade pode ser aceita por qualquer perda ou dano, seja direto, indireto ou consequente como resultado do uso das informações aqui contidas.

本出版物内容的著作权归出版者所有且未经事先书面许可不得被复制（甚至引用）。我们已采取了一切注意措施以确定本出版物包含的信息准确无误，但我们不对因使用此等信息而产生的任何损失或损害承担任何责任，不论此等责任是直接、间接或附随性的。

Содержание этой публикации является собственностью издателя и не может быть воспроизведено (даже частично) без предварительного письменного разрешения. Несмотря на то, что были приняты все меры по обеспечению точности информации, содержащейся в настоящем издании, издатель не несет ответственности за любой ущерб, прямой или косвенный, вытекающий из использования вышеуказанной информации.



skf.com | mapro.skf.com | skf.com/mount

® SKF is a registered trademark of the SKF Group.

© SKF Group 2016

MP5427 · 2016/09