

A01ES-D series

Emergency stop

Distinctive features and specifications

A01ESD1601-A



- ❑ Approved to EN60947-5-5
- ❑ 4 prominent red actuator styles
- ❑ Locked/unlocked status indicator
- ❑ AC-15 1.5A 250VAC, 6A 250VAC
- ❑ Panel sealed to IP65

ELECTRICAL SPECIFICATIONS

- Electrical function : push to shut off, twist to release
- Current/voltage rating : AC-15 1.5A 250VAC, 6A 250VAC
- Electrical life : 6.050 cycles
- Contact gap : >3mm
- Insulation resistance : 50MΩ min
- Dielectric test voltage : 2900V

GENERAL SPECIFICATIONS

- Panel thickness : 6mm (.236) max.
- Mechanical life : 6050 cycles
- Operating force : 18 to 20N
- Operating temperature : -20°C to +55°C
- Soldering : 350°C, 5 seconds (IEC 68-2-2-20Tb, method 2)
- Switch terminals : Solder/ Faston 2.8mm (.110) (IEC 68-2-20)
- Switch block approved to : UL1054 / VDE / EN61058-1
- Torque : 0.8Nm

ENVIRONMENTAL SPECIFICATIONS

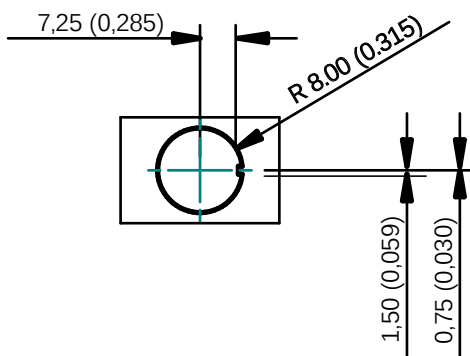
- Sealing : front panel IP65, rear panel IP40
- According to EN 60947-5-5

MATERIALS

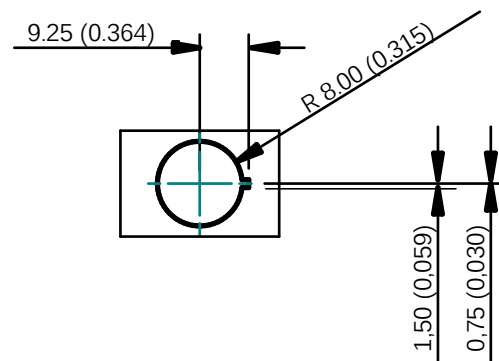
- Operator Case : Polyetherimide
- Actuator : Polycarbonate
- Switch block : PBT
- Panel Seal : Neoprene

PANEL CUT-OUT Ø16 (.629)

A01ES-DM
A01ES-DSP3



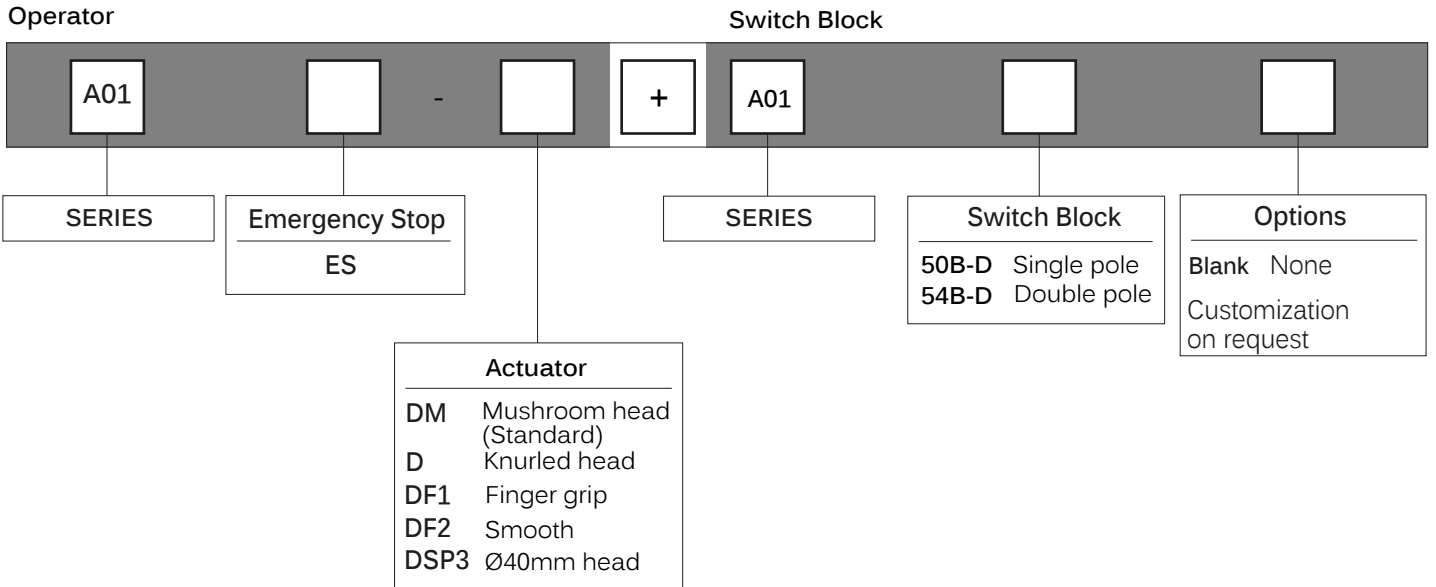
A01ES-D
A01ES-DF1
A01ES-DF2



A01ES-D series

Emergency stop

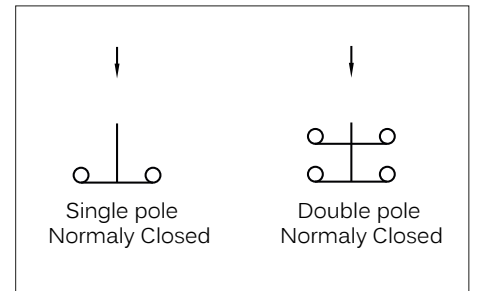
Overview



An emergency stop switch assembly requires
1 operator plus 1 switch block

Example A01ES-D + A0154B-D

Ø16mm. red twist to reset
standard actuator with double
pole positive break switch block



Dimensions : first dimensions are in mm while inches are shown as bracketed numbers.
Refer to the following pages for further information.



Mounting accessories : Standard hardware supplied : 1 nut and 1 flat panel seal



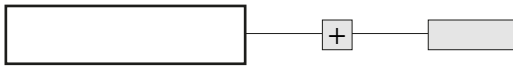
Packaging unit : Operator 20pcs per tray, Switch Block 50pcs per tray

A01ES-D series

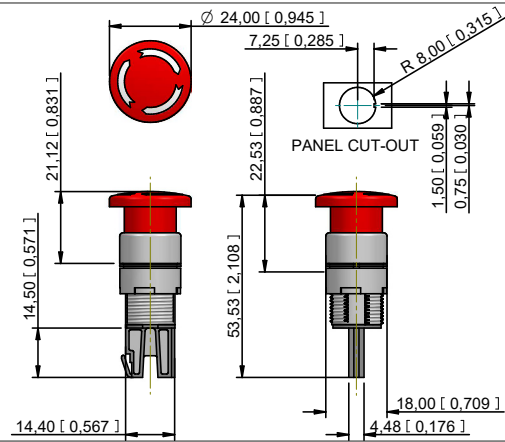
Emergency stop

Panel cut-out $\varnothing 16$ (.629)

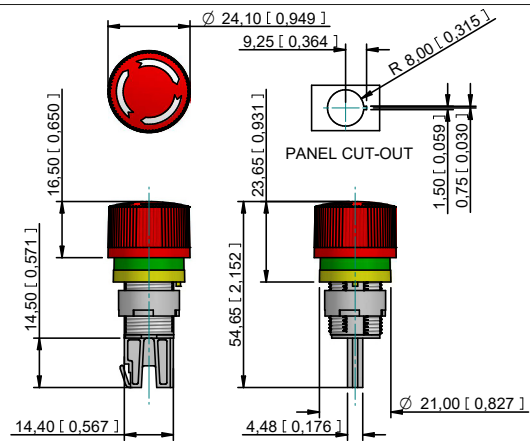
MODEL
STRUCTURE



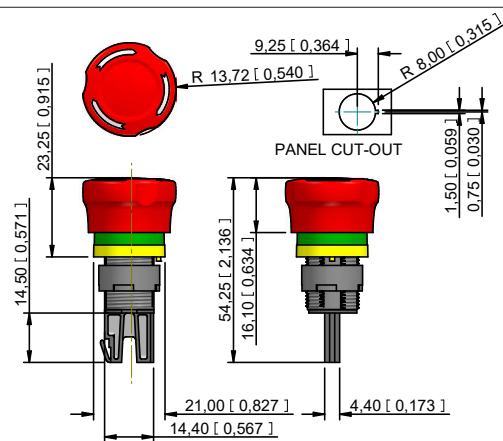
A01ES-DM



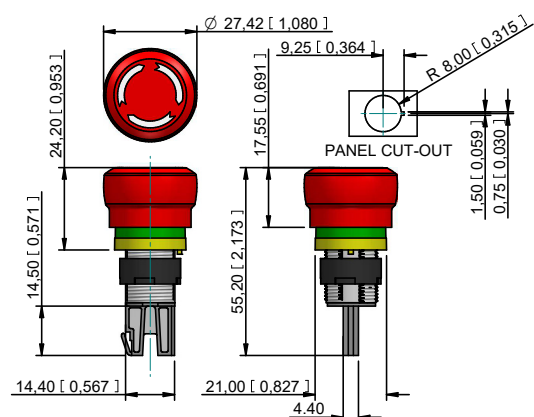
A01ES-D



A01ES-DF1



A01ES-DF2

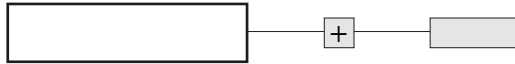


A01ES-D series

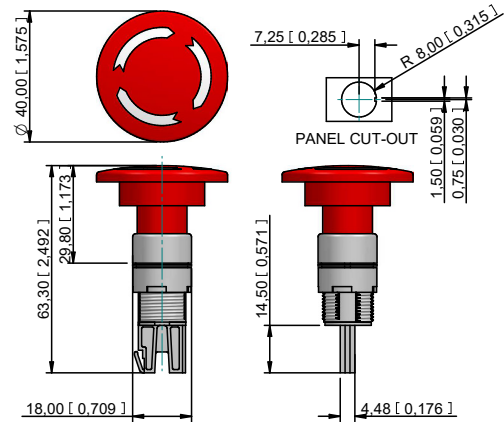
Emergency stop

Panel cut-out Ø16 (.629)

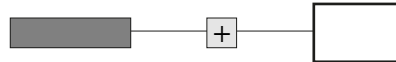
MODEL
STRUCTURE



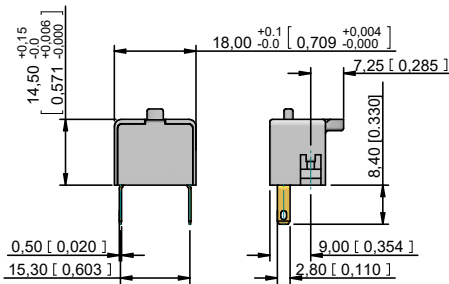
A01ES-DSP3



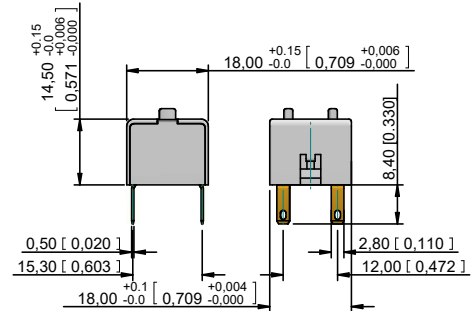
SWITCH
BLOCK



SINGLE POLE - A0150B-D



DOUBLE POLE - A0154B-D



OPTIONS

Blank : None

Customization on request, please contact APEM.

ACCESSORIES

Ø60mm Self Adhesive Label

English text : A01YL1
Without text : A01YL2
French text : A01YL3
Italian text : A01YL4



Other languages available, please contact APEM.

Nut tool

Part No : 30-0001

