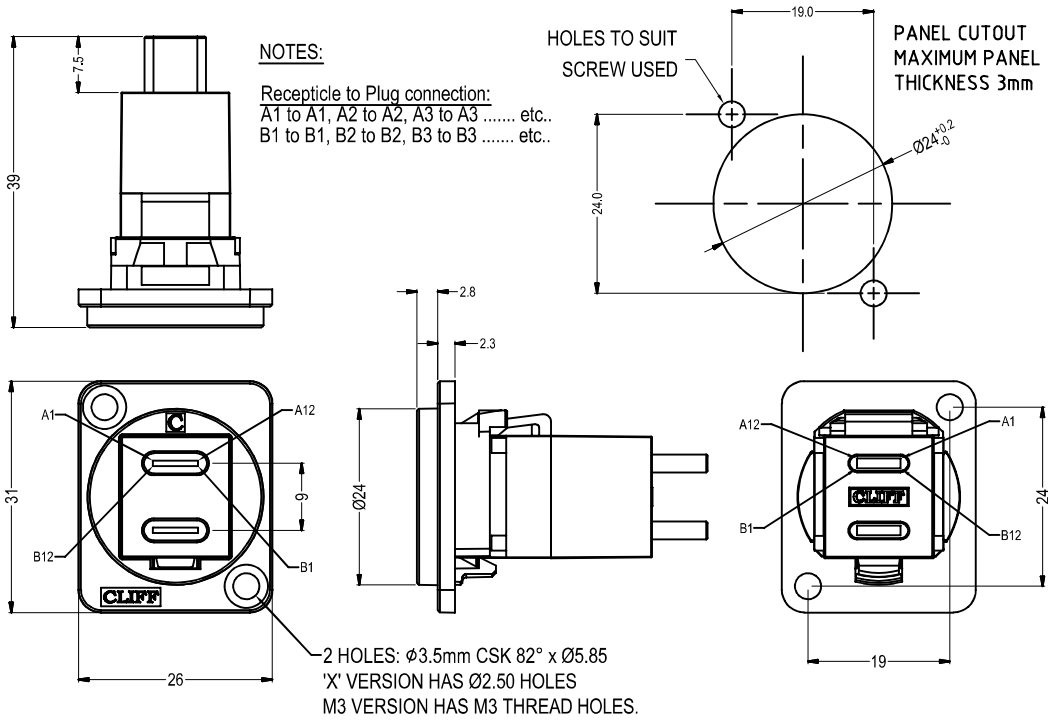




DUAL USB-C Female-Male FEEDTHROUGH CONNECTOR



Feedthrough Features

- Fits standard XLR $\phi 24\text{mm}$ cutout.
- No soldering or punch termination. Use standard cable for each connector style.
- Front or rear mounted.
- Low rear profile

General:

Please note: Functionality is affected by cable quality, length and cable wiring configuration.

Material:

1. Insert: ABS - UL94 HB
2. Plastic Frame: Polyamide UL94 V-2
3. Metal Frame: Diecast, Black or Nickel plated

VARIANTS

Part No.

- | | |
|-------------------|---|
| CP30212 | Dual USB-C F-M Black plastic frame, CSK holes |
| CP30212W | Dual USB-C F-M White plastic frame, CSK holes |
| CP30212M | Dual USB-C F-M Nickel plated metal frame, CSK holes |
| CP30212M3 | Dual USB-C F-M Nickel plated metal frame, M3 holes |
| CP30212MB | Dual USB-C F-M Black metal frame, CSK holes |
| CP30212M3B | Dual USB-C F-M Black metal frame, M3 holes |
| CP30212X | Dual USB-C F-M Black plastic frame, PLAIN holes |
| CP30212XW | Dual USB-C F-M White plastic frame, PLAIN holes |

USB-C Specification:

- Maximum Rated Current - 3A
- Maximum Working Voltage - 30V
- Withstanding Voltage - 100V for 1 minute.
- Contact Resistance - 40 Milli-ohms Max.
- Insulation Resistance - 100 Mega-ohms Min.
- Insulator Flammability Rating - UL-94V0
- Insertion Life - 10,000 Cycles.