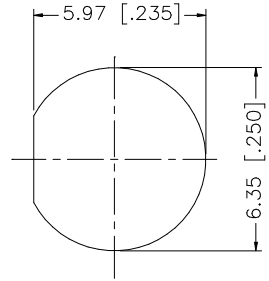
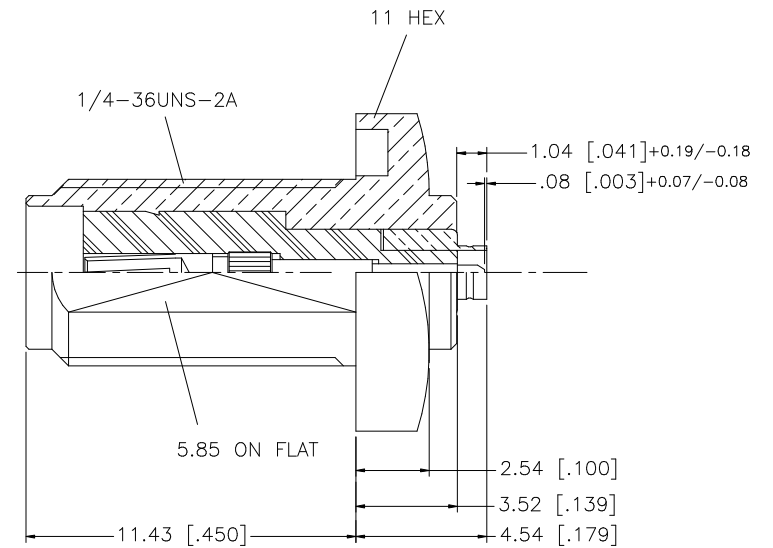
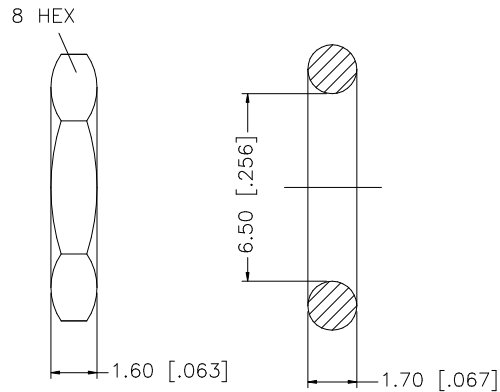
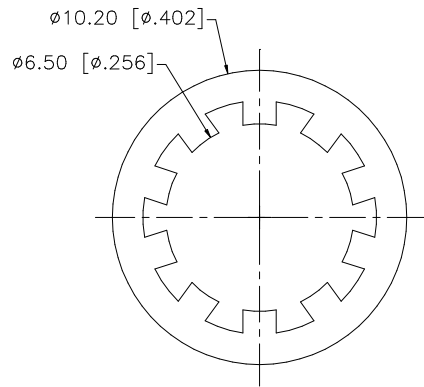


REV.	DATE	DESCRIPTION
NC	05/28/07	INITIAL RELEASE



RECOMMENDED MOUNTING HOLE



NOTE:
1. MAX. PANEL THICKNESS = 3.8mm

QTY	DESCRIPTION	MATERIAL	FINISH	DO NOT SCALE DRAWING	APPROVALS	DATE	Amphenol Connex								
8				UNLESS OTHERWISE SPECIFIED DIMENSIONS ARE IN MILLIMETERS. DIMENSIONS IN [] ARE IN INCHES AND FOR CUSTOMER REFERENCE ONLY. UNLESS OTHERWISE SPECIFIED TOLERANCES FOR MILLIMETERS ARE: 0.5 - 8mm ± 0.20mm 8 - 30mm ± 0.40mm 30 - 120mm ± 0.50mm UNLESS OTHERWISE SPECIFIED TOLERANCES FOR INCHES ARE: .020 - .315 = ± 0.007" .315 - 1.180 = ± 0.015" 1.180 - 4.724 = ± 0.020"	DRAWN	G.R.S.	05/28/07	PART DESCRIPTION SMA JACK TO U.FL MALE ADAPTER							
7			CHECKED												
6	HEX NUT	BRASS	GOLD		1	ISSUED									
5	LOCK WASHER	BRASS	GOLD		1	SHEET	1 OF 1	PART NO. 242201							
4	GASKET	SILICONE	RED		1	CAD FILE		DWG. NO.	242201.DWG	REV.	NC	SIZE	A	SCALE	NA
3	CONTACT PIN	BER. COPPER	GOLD		1										
2	INSULATOR	TEFLON	NATURAL		1										
1	BODY	BRASS	GOLD		1										