

Data sheet | Item number: 2065-100/998-403

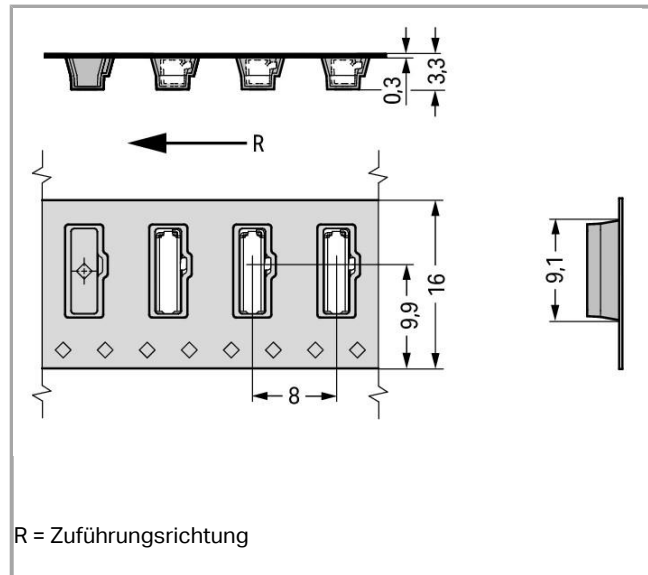
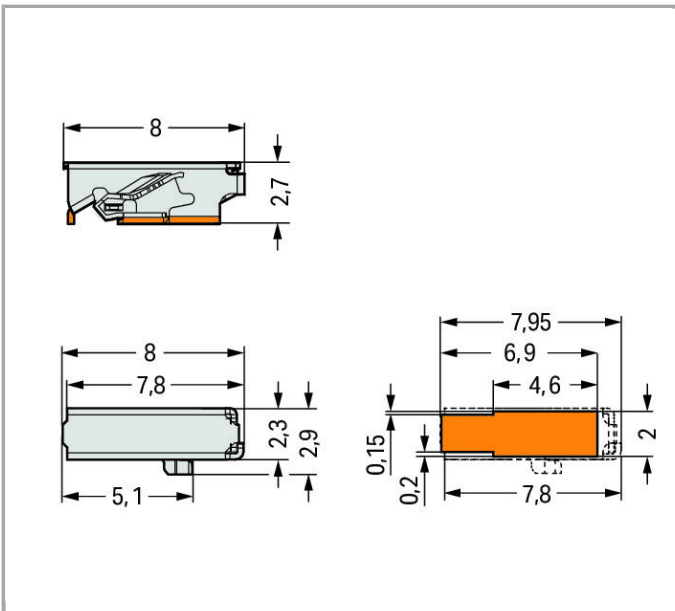
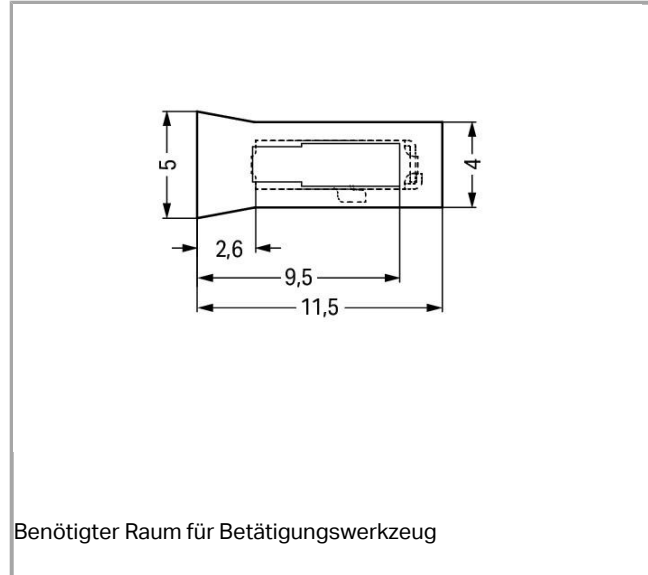
SMD PCB terminal block; push-button; 0.75 mm²; Pin spacing 6.5 mm; 1-pole; Push-in CAGE CLAMP®; in tape-and-reel packaging; Without housing



www.wago.com/2065-100/998-403



RoHS Compliant [BOMcheck.net](https://www.bomcheck.net)





Item description

- SMD PCB terminal block with Push-in CAGE CLAMP® connection technology and push-button
- Push-in termination of solid conductors
Convenient termination/removal of fine-stranded conductors via operating tool
- Just 2.7 mm tall
- Available in tape-and-reel packaging for automated assembly
- PUSH WIRE® version without push-button available (only for solid conductors)

Note:

Die Bemessungsdaten basieren auf dem exemplarischen Rastermaß von 6,5 mm.

Das Layout ist gemäß den Anforderungen der Isolationskoordination EN/IEC 60664-1 bzw. der Endgerätenormen auszulegen.

Safety information 1:

NOTE: Terminal block without insulation housing! Protection against accidental contact must be provided at voltages higher than low voltages (e.g., SELV/PELV) for the relevant application.

Data

Electrical data

Ratings per IEC/EN 60664-1

Rated voltage (III / 3)	320 V
Rated impulse voltage (III / 3)	4 kV
Rated voltage (III / 2)	320 V
Rated impulse voltage (III / 2)	4 kV
Rated voltage (II / 2)	630 V
Rated impulse voltage (II / 2)	4 kV
Rated current	9 A

Approvals per UL 1977

Rated voltage per UL 1977 (factory wiring only)	600 V
Rated current per UL 1977 (factory wiring only)	9 A

Connection data

Connection technology	Push-in CAGE CLAMP®
Actuation type	Push-button
Solid conductor	0.2 ... 0.75 mm ² / 24 ... 18 AWG
Fine-stranded conductor	0.2 ... 0.75 mm ² / 24 ... 18 AWG
Strip length	7.5 ... 9.5 mm / 0.3 ... 0.37 inch
Conductor entry angle to the PCB	0°
No. of poles	1
Total number of connection points	1
Total number of potentials	1
Number of connection types	1
Number of levels	1
Leiterquerschnitte eindrätig	0.2 mm ²

Geometrical Data

Pin spacing	6.5 mm / 0.256 inch
Width	2.9 mm / 0.114 inch
Height	2.7 mm / 0.106 inch
Depth	8 mm / 0.315 inch
Reel diameter of tape-and-reel packaging	330 mm
Tape width	16 mm

PCB contact

PCB contact	SMD
-------------	-----

Material Data

Insulating material	Polyamide 66 (PA 66)
Clamping spring material	Chrome nickel spring steel (CrNi)
Contact material	Copper alloy
Contact plating	tin-plated
Weight	0.14 g

Environmental Requirements



Limit temperature range	-60 ... +120 °C
-------------------------	-----------------

Commercial data


Country of origin	CH
GTIN	4055143665469
Customs Tariff No.	85369010000

Approvals / Certificates

Country specific Approvals

Logo	Approval	Additional Approval Text	Certificate name
	CB DEKRA Certification B.V.	EN 60947-7-4	NL-49896 (IEC 60947-7- 4:2013)
	KEMA/KEUR DEKRA Certification B.V.	EN 60947-7-4	71- 102154
	KEMA/KEUR DEKRA Certification B.V.	EN 60998	71- 102159

UL-Approvals

Logo	Approval	Additional Approval Text	Certificate name
	UR Underwriters Laboratories Inc.	UL 1977	E45171 sec. 25

Compatible products

tools

	Item no.: 2065-189 Operating tool; of insulating material	www.wago.com/2065-189
--	---	--

Downloads

Documentation

Additional Information

Technical explanations	2019. 4. 3	pdf 3.6 MB	Download
------------------------	------------	---------------	----------



CAD/CAE - Smart Data

CAD data

3D Download 2065-100/998-403

URL

Download

Subject to changes.