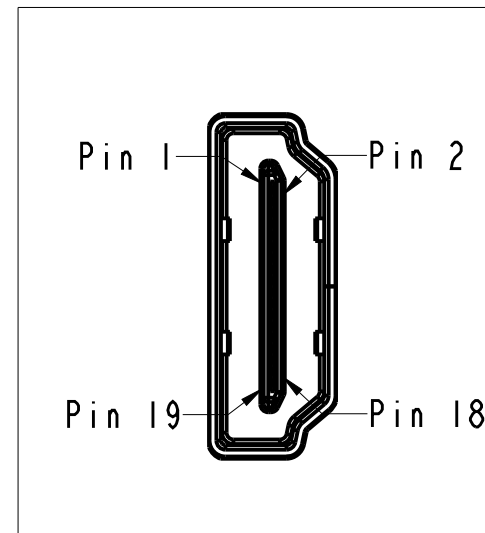


Le joint torique du panneau est livré avec l'embase
 Panel o-ring is delivered with the receptacle

1,58 - 3,2 [0.062 - 0.,216]
 Épaisseur panneau
 Panel thickness

Affectations des broches:
 Pin assignments:

Connecteur côté couplage avant HDMI type A vers
 Connecteur arrière HDMI de type A
 HDMI type A front coupling side connector to
 HDMI type A back side connector



Pin number	Signal assignment	Pin number
1	TMDS Data 2+	1
2	TMDS Data 2 Shield	2
3	TMDS Data 2-	3
4	TMDS Data 1+	4
5	TMDS Data 1 Shield	5
6	TMDS Data 1-	6
7	TMDS Data 0+	7
8	TMDS Data 0 Shield	8
9	TMDS Data 0-	9
10	TMDS Clock+	10
11	TMDS Clock Shield	11
12	TMDS Clock-	12
13	CEC	13
14	Utility	14
15	SCL	15
16	SDA	16
17	DDC/CEC Ground	17
18	+5V Power	18
19	Hot Plug Detect	19

HDMIF TV 7 x x F312

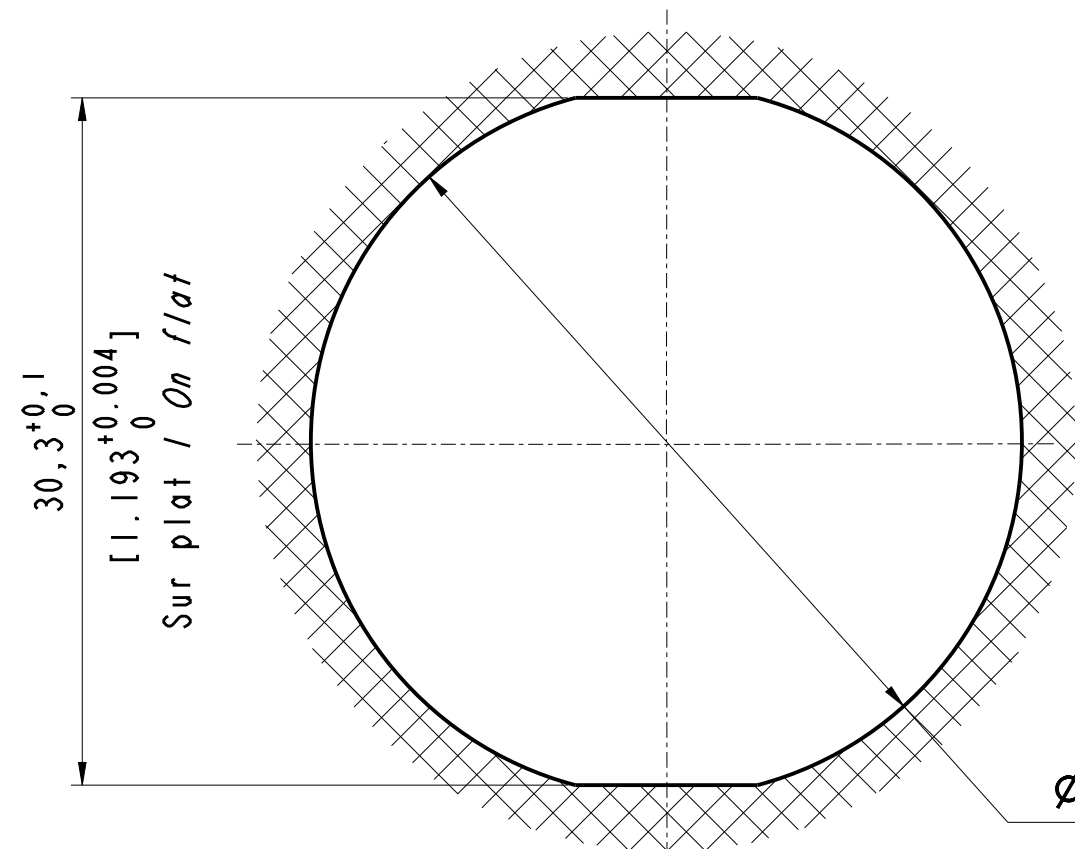
Embase
 Receptacle

→ Colerette réduite avec écrou crénelé standard
 Reduced flange with standard castle nut

- N: Nickel-RoHS
- G: Cadmium vert olive-Non RoHS
 Olive drab cadmium-Not RoHS
- ZN: Zinc nickel noir-RoHS
 Black zinc nickel-RoHS
- BZ: Bronze-RoHS
- S: Stainless Stell-RoHS

→ Codages / Codings: A & B

Nota / Note:
 Produit utilisable avec un cordon de port d'affichage HDMI type A mâle.
 Product usable with male HDMI type A display port cordset.



Perçage panneau
 Panel drilling

Dimensions are in mm / [inch]

DRAWN BY: R Reddy	UPDATED BY: R Reddy	LAST APPROVED BY: M Rinsant	
ALL DIMENSIONS ARE IN MM		ORIGINAL DRAWING DATE: 03/09/2020	CONFIGURATION DATA ARE AVAILABLE IN PDM
SCALE: 3		REV: B	PAGE: 1/1
AMPHENOL SOCAPEX		191-PLC-982-00	
B.P. 29 74311 THYEZ CEDEX			

IN THE CONSTANT PURPOSE OF IMPROVING ITS PRODUCTS, Amphenol Socapex RESERVES THE RIGHT TO MODIFY ANY DIMENSION OR CHARACTERISTICS. FM.NPD.0037.THYEZ.PUNE.rev.C