

Flexible LED Neon Strips – Single Colour

ILPN-xxxx-2M0-SK12410-I1

Product Overview

The Flexible LED Neon Strips look a lot like neon, but without the need for transformers or high cost glass tubing and gasses. These LED neon strips feature a single-color LED strip with a insert of translucent silicone rubber which acts as a diffuser giving the product the neon style. An IP67 rating means these products can withstand normal environmental conditions, meaning they are just as good outside as they are inside. Supplied as a 2 meter reel, with power connections coming out of one end. You can cut the silicone cover and LED strip, and we supply various end caps to enable the IP rating is continued.

Applications

- Task Lighting
- Back Lighting
- Desk Lighting
- Garage Lighting
- Accent Lighting
- Under Cabinet Lighting
- Bar Lighting
- Refrigeration
- Industrial Applications
- Photography



Technical Features

- Reel Length - 2000mm
- LED Pitch - 17mm
- Working Voltage - 24V DC Constant Voltage
- Strip Width - 13mm
- LED Neon strip can be cut after each LED
- Mounting is simple using our clip in brackets
- Max single power run is 5m. If you need longer, you have to run a separate power line
- White diffuser material

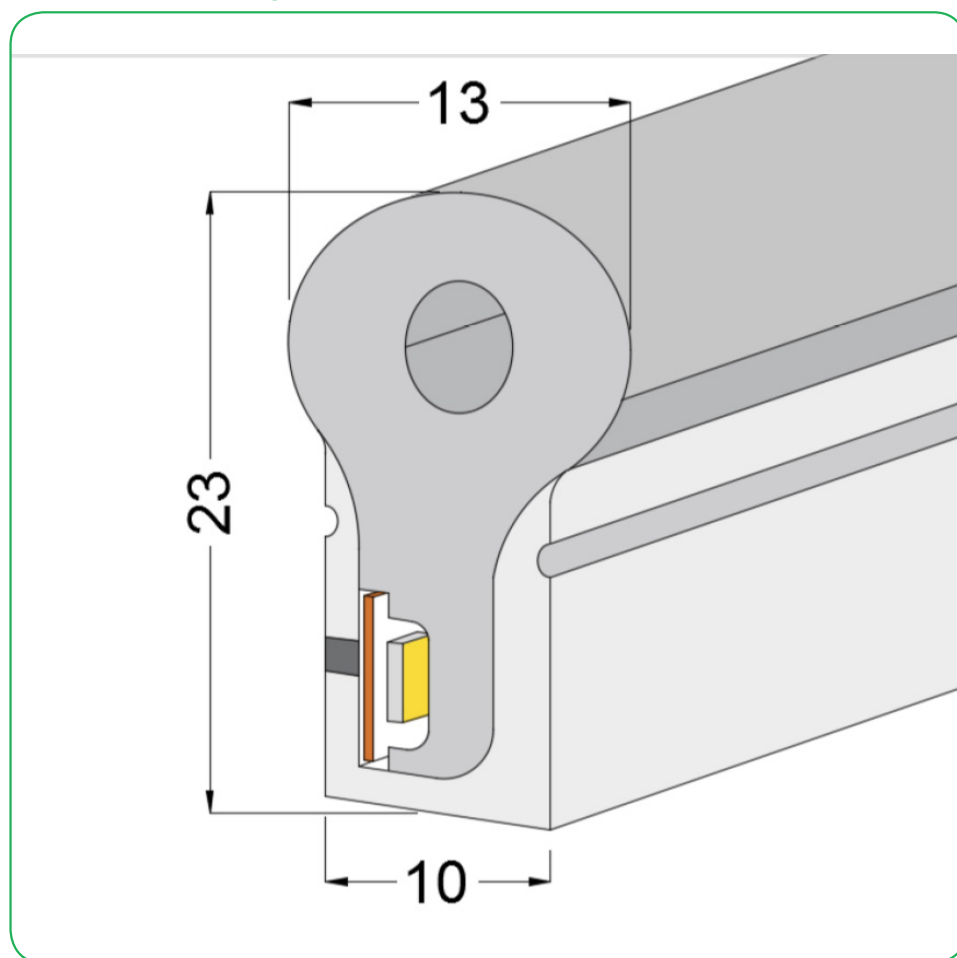
Important Information and Precautions

- The Intelligent LED Neon strip, when powered up, are very bright. Thus it is advised that you do not look directly at it. Turn the Intelligent LED Neon strip away from you and do not shine into the eyes of others.
- Do not operate Intelligent LED Neon strip with a Power Supply with unlimited current. Connection to constant voltage Power
- Supplies that are not current limited may cause the Intelligent LED Neon strip to consume current above the specified maximum and cause failure or irreparable damage. Intelligent LED Neon strip, when operated, can reach high temperatures thus there is risk of injury if they are touched.
- DO NOT HOT PLUG ON LED SIDE OF POWER SUPPLY.
- DO NOT TOUCH or PUSH on the LED as this can cause irreparable damage.

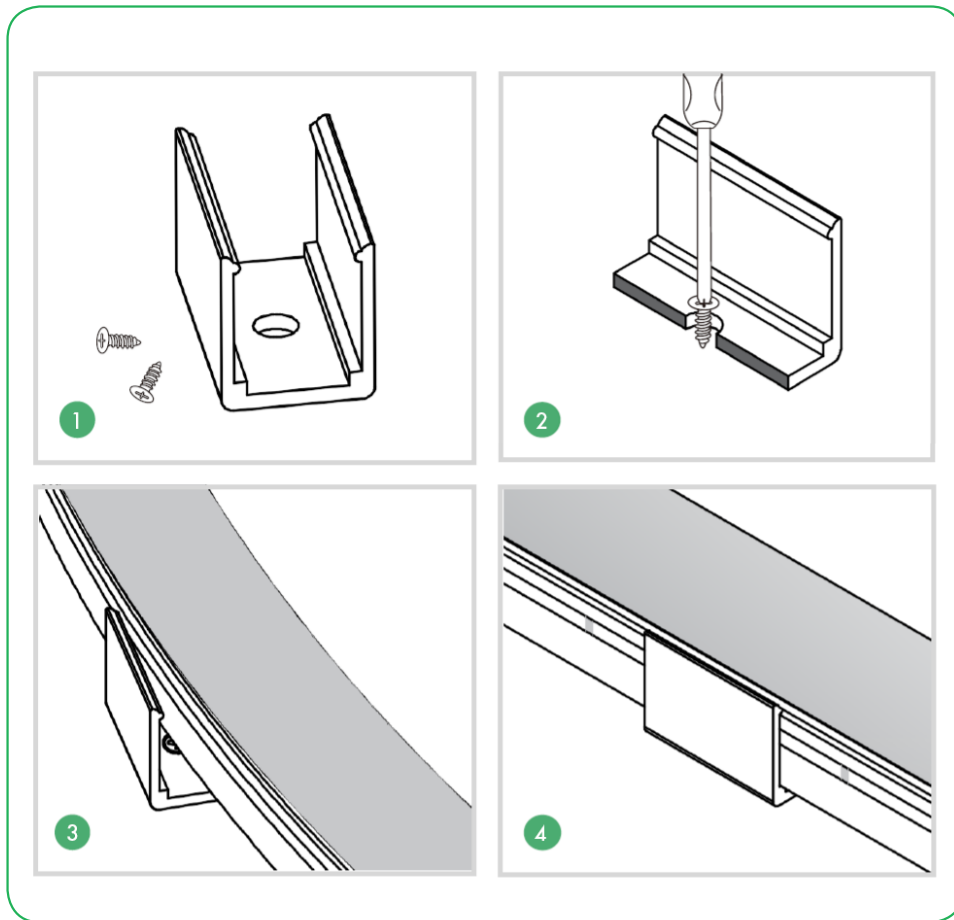
Product Options

ILS PART NUMBER	LED Neon Colour	Operating Voltage	Typical Current
ILPN-K508-WHT1-2M0-SK12410-I1	White	24V DC	800mA per meter
ILPN-K508-RED1-2M0-SK12410-I1	Red	24V DC	800mA per meter
ILPN-K508-GRN1-2M0-SK12410-I1	Green	24V DC	800mA per meter
ILPN-K508-BLU1-2M0-SK12410-I1	Blue	24V DC	800mA per meter

Technical Drawing (mm)



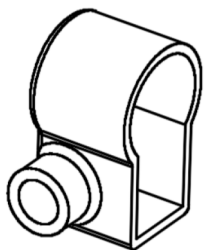
Flexible LED Neon Mounting : ILPA-NEON-BRACKET



Flexible LED Neon End caps

If you decide to cut your Flexible LED Neon strips, then we have a number of options for end caps ;

ILPA-NEON-CAP-RIGHT



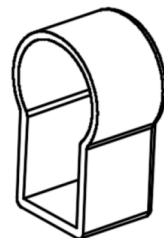
ILPA-NEON-CAP-LEFT



ILPA-NEON-CAP-END



ILPA-NEON-CAP-BLANK



Safety Information

- The evaluation of eye safety occurs according to the standard IEC 62471:2006 ("photobiological safety of lamps and lamp systems"). Within the risk grouping system of this CIE standard, the LED specified in this data sheet falls into the class "moderate risk" (exposure time 0.25s). Under real circumstances (for exposure time, eye pupils, observation distance), it is assumed that no endangerment to the eye exists from these devices. As a matter of principle, however, it should be mentioned that intense light sources have a high secondary exposure potential due to their blinding effect. As is also true when viewing other bright light sources (e.g. headlights), temporary reduction in visual acuity and afterimages can occur, leading to irritation, annoyance, visual impairment and even accidents, depending on the situation.
- The Intelligent LED Neon strip and all its components must not be mechanically stressed.
- Assembly must not damage or destroy conducting paths on the circuit board.
- Observe correct polarity!
- Pay attention to standard ESD precautions when installing the Intelligent LED Neon strip.
- Damage by corrosion will not be accepted as a materials defect claim. It is the user's responsibility to provide suitable protection against corrosive agents such as moisture and condensation and other harmful elements.
- To also ease the luminaire/installation approval, electronic control gear for LED or LED modules should carry the CE mark and be ENEC certified. In Europe the declarations of conformity must include the following standards: CE: EC 61374-2-13, EN 55015, IEC 61547 and IEC 61000-3-2 - ENEC: 61374-2-13 and IEC/EN 62384.
- For outdoor usage, a housing is definitely required to protect the board against environmental influences. The design of the housing must correspond to the IP standards in the application. It is also the responsibility of the user to ensure any housings or modifications keep the Tc junction temperature to within stated ranges
- The Intelligent LED Neon strip, as manufactured, have no conformal coating and therefore offer no inherent protection against corrosion
- To avoid mechanical damage to the connecting cables, the boards should be attached securely to the intended substrate. Heavy vibration should be avoided.

For further information please contact ILS

The values contained in this data sheet can change due to technical innovations. Any such changes will be made without separate notification.