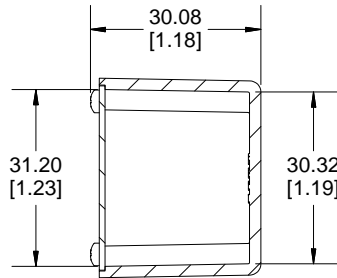
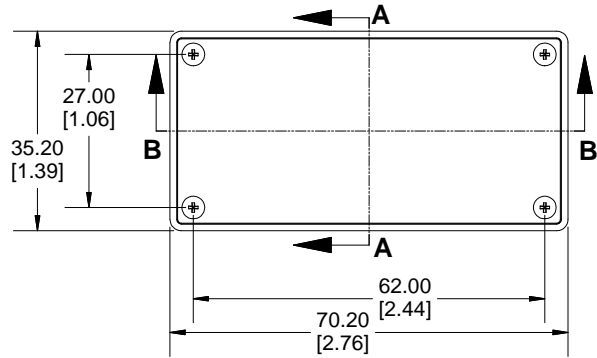
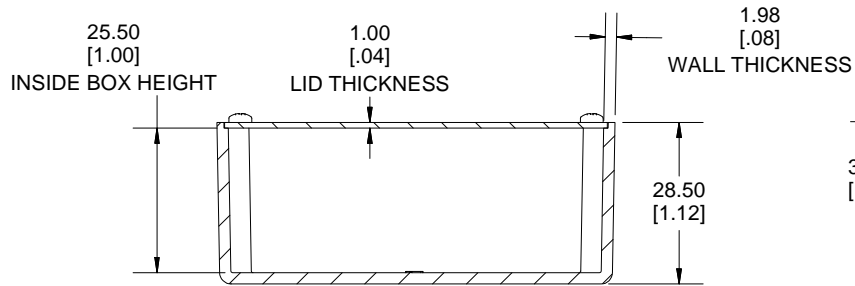
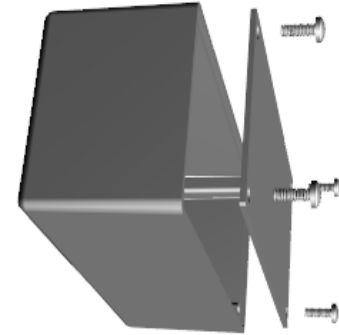


TOP VIEW OF ASSEMBLY

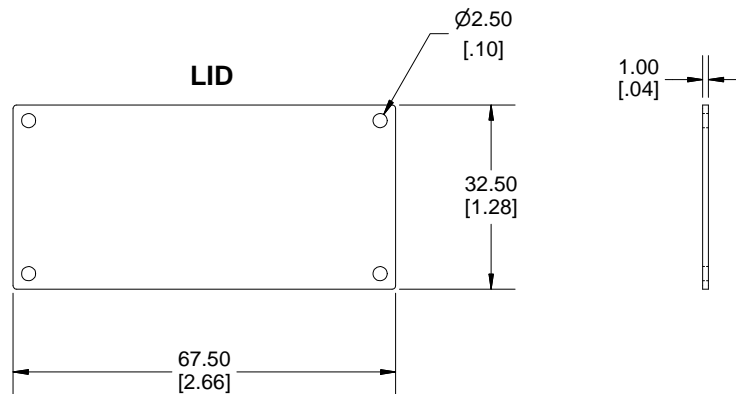
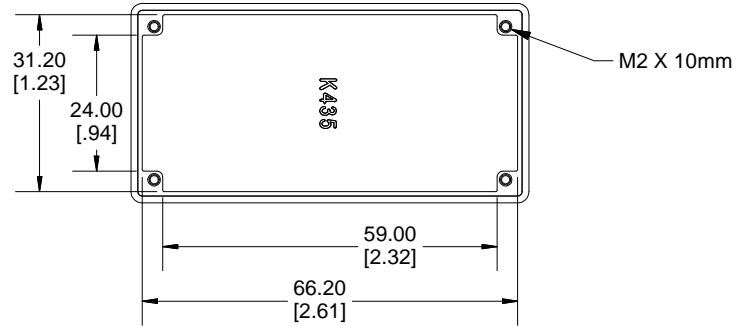


**SECTION A-A
END VIEW OF ASSEMBLY**



**SECTION B-B
SIDE VIEW OF ASSEMBLY**

TOP VIEW LOOKING INSIDE BOX



NOTE

Purchased assembly includes box, lid and cover screws.
Box is made from diecast aluminum, lid is made from aluminum plate.



**HAMMOND
MANUFACTURING™**

K435

Dimensions:
mm
[inches]

www.hammondmfg.com