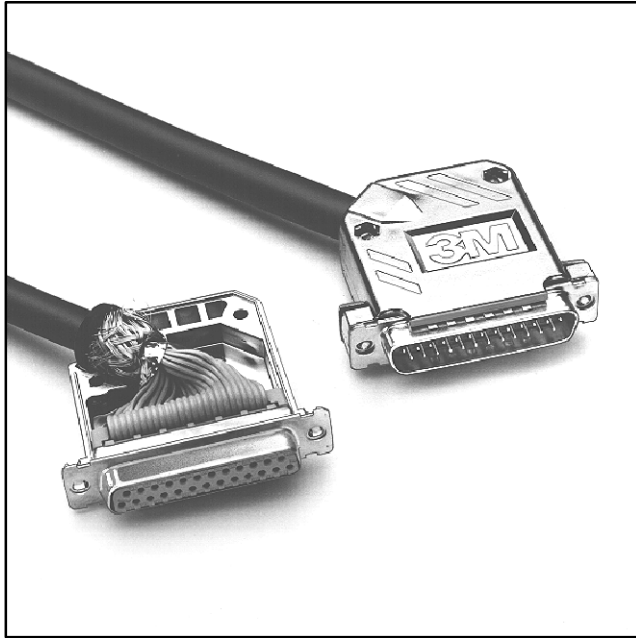


3M™ D Sub EMI Junction Shell

Metalized Plastic



- Protection from EMI/ESD
- Easy assembly reduces time and labor to ensure low applied cost
- Light weight, compact design

Date Modified: May 30, 2003

TS-0032-08
Sheet 1 of 2

Physical

Shell

Material: ABS

Plating: Nickel Over Copper

Compression Insert

Material: PVC UL 94V-0

Durometer: 85

Hardware: (2) Jackscrews #4-40 × .450

(2) Saddle Washers

(2) Nuts 4-40 UNC

(2) Nuts 4-40 UNC for 9, 15 & 25 position

(3) Nuts 4-40 UNC for 37 position

(2) Screws 4-40 UNC for 9, 15 & 25 position

(3) Screws 4-40 UNC for the 37 position

Material: Steel

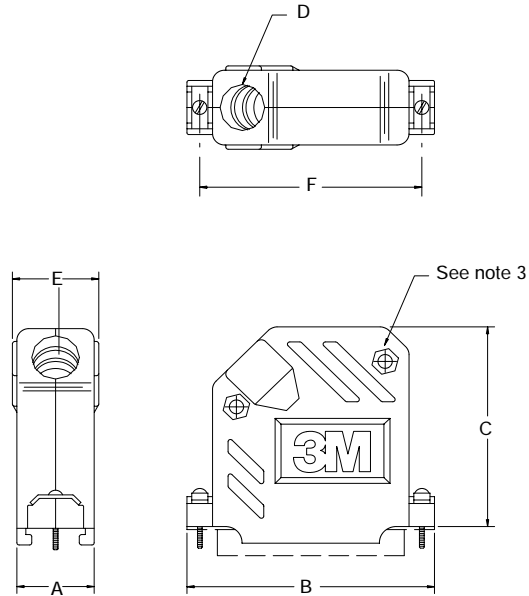
Plating: Zinc

Mounting Hardware: See Specification Sheet TS-0142

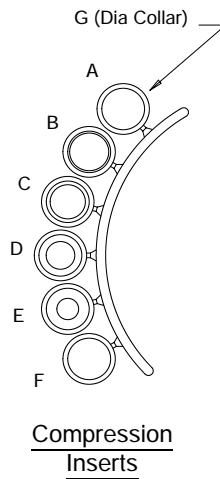
3M™ D Sub EMI Junction Shell Metalized Plastic

Table 2 - Compression Inserts

Insert For	Dimensions												G
	A		B		C		D		E		F		
	OD	ID	OD	ID	OD	ID	OD	ID	OD	ID	OD	ID	
3357-6509	0.475 [12.07]	0.320 [8.13]	0.360 [9.14]	0.315 [8.00]	0.360 [9.14]	0.285 [7.24]	0.360 [9.14]	0.255 [6.48]	0.360 [9.14]	0.210 [5.33]	N/A	N/A	0.475 [12.07]
3357-6515	0.600 [15.24]	0.450 [11.43]	0.450 [11.43]	0.410 [10.41]	0.450 [11.43]	0.370 [9.40]	0.450 [11.43]	0.300 [7.62]	0.450 [11.43]	0.230 [5.84]	N/A	N/A	0.600 [15.24]
3357-6525	0.655 [16.64]	0.570 [14.48]	0.700 [17.78]	0.620 [15.75]	0.810 [20.57]	0.650 [16.51]	0.655 [16.64]	0.500 [12.70]	0.655 [16.64]	0.425 [10.80]	0.655 [16.64]	0.330 [8.38]	0.810 [20.58]



Junction Shell



Compression Inserts

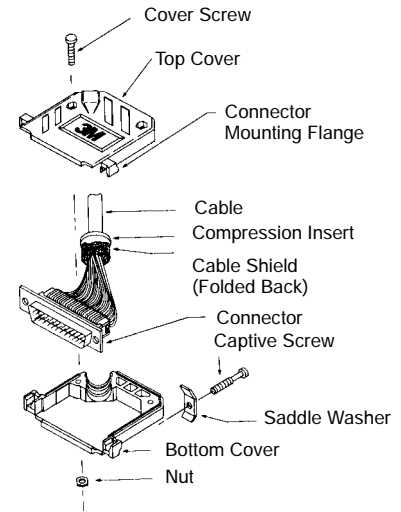


Table 1 - Junction Shell

3M Part Number	Dimensions						Cable O.D. Range		
	A	B	C	D	E	F	Min	Max	
3357-6509	0.64 [16.3]	1.23 [31.2]	1.47 [37.3]	0.40 [10.2]	0.64 [16.3]	0.984 [24.99]	0.19 [4.8]	0.35 [8.9]	
3357-6515		1.54 [39.1]	1.60 [40.6]			1.312 [33.32]			
3357-6525		2.09 [53.1]	1.74 [44.2]	0.52 [13.2]	0.71 [18.0]	1.857 [47.17]			0.46 [11.7]
3357-6537		2.73 [69.3]	1.80 [45.7]	0.73 [18.5]	0.88 [22.4]	2.500 [63.50]			0.30 [7.6]

Inch
[mm]

Tolerance Unless Noted		
	.0	.00
	.000	
Inch	±.1	±.01
		±.005

[] Dimensions for Reference only

Ordering Information

3357-65XX

Note:

1. Compression inserts cannot be ordered separately.
2. Use applicable Jack Screw or Jack Socket Kit mounting hardware.
3. The 37 position shell has 3 cover screw holes.

Connector Size
09 = 9 Position
15 = 15 Position
25 = 25 Position
37 = 37 Position

TS-0032-08
Sheet 2 of 2

Important Notice

All statements, technical information, and recommendations related to 3M's products are based on information believed to be reliable, but the accuracy or completeness is not guaranteed. Before using this product, you must evaluate it and determine if it is suitable for your intended application. You assume all risks and liability associated with such use. Any statements related to the product which are not contained in 3M's current publications, or any contrary statements contained on your purchase order shall have no force or effect unless expressly agreed upon, in writing, by an authorized officer of 3M.



Electronic and Interconnect Solutions Division

6801 River Place Blvd.
Austin, TX 78726-9000
www.3M.com/eisd

Warranty; Limited Remedy; Limited Liability.

This product will be free from defects in material and manufacture for a period of 1 year from the date of purchase. **3M MAKES NO OTHER WARRANTIES INCLUDING, BUT NOT LIMITED TO, ANY IMPLIED WARRANTY OF MERCHANTABILITY OR FITNESS FOR A PARTICULAR PURPOSE.** If this product is defective within the warranty period stated above, your exclusive remedy shall be, at 3M's option, to replace or repair the 3M product or refund the purchase price of the 3M product. **Except where prohibited by law, 3M will not be liable for any loss or damage arising from this 3M product, whether direct, indirect, special, incidental or consequential regardless of the legal theory asserted.**