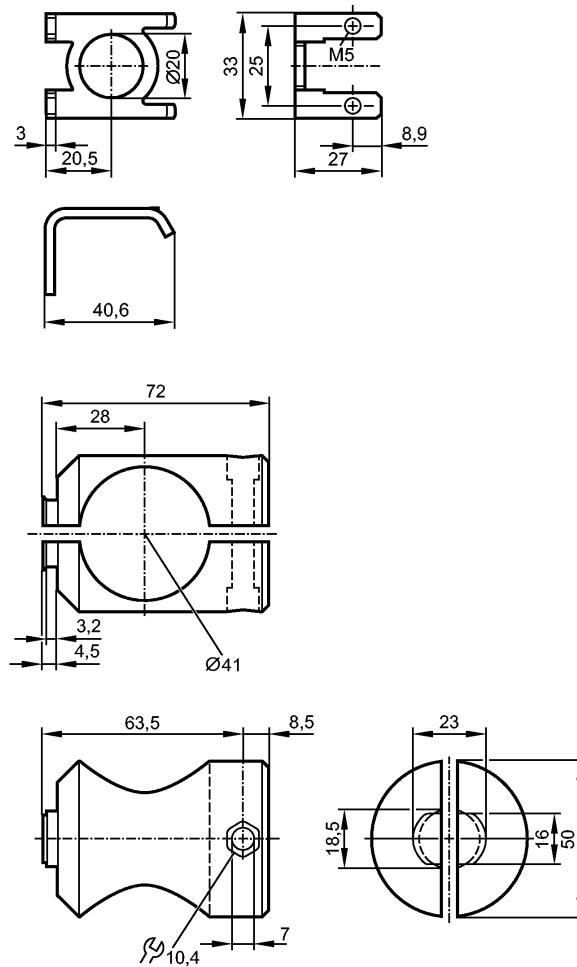


MOUNTING SET FOR O5 ROD

Accessories



Product characteristics

Mounting set

O5

Clamp mounting

Mechanical data

Housing materials

fixture: stainless steel 316Ti / 1.4571; clamp: aluminium transparent anodised

Type of mounting

rod mounting Ø 40 mm

Weight

[kg]

0.234

Accessories

Accessories (included)

1 socket head screw M6 x 40; 2 socket head screws M5 x 8; 1 hexagon nut M6

Remarks

Pack quantity

[piece]

1