

M8 MALE 0° SHIELDED WIREABLE SCREW TERM.

4-pol. 0,14...0.5mm²

Male straight

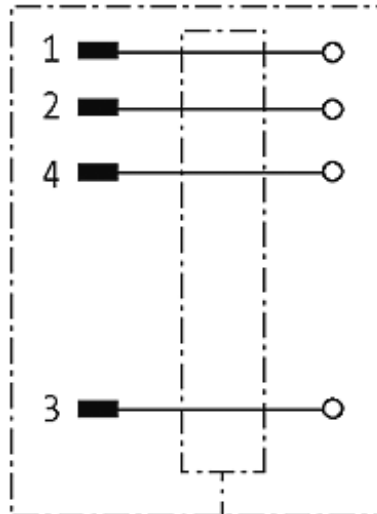
4-pole, shielded

Screw terminals

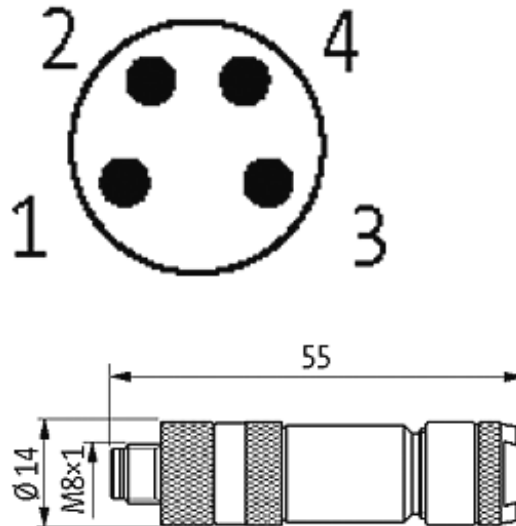
Connection cross section: 0.14...0.5 mm²

[Link to Product](#)

Illustration



Male



Product may differ from Image

Approvals



Form

08651

Technical Data

Operating voltage	max. 30 V AC/DC
Operating current per contact	max. 4 A
Connection cross section	0.14...0.5 mm ²
Sealing range (cable diameter)	3.5...5.5 mm
Protection	IP67 inserted and tightened (EN 60529)

General data

Temperature range	-25...+85 °C
Dimensions H × W × D	55×14×14 mm

Commercial data

country of origin	DE
customs tariff number	85369010
minimum order quantity	1