

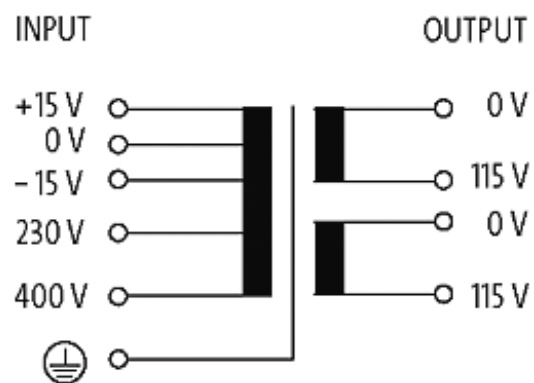
## MST 1-PHASE CONTROL AND ISOLATION TRANSFORMER

P: 1600VA IN: 230/400VAC +/- 15VAC OUT: 2x115VAC

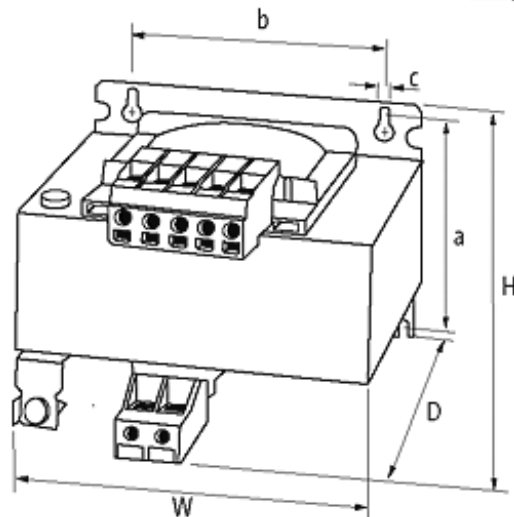
Single-phase - Control and Isolation Transformers  
1600 VA  
Isolation class T 40/B

### [Link to Product](#)

#### Illustration



stay connected



Product may differ from Image

### Approvals



### Input

Input voltage	230/400 ±15 V AC
Frequency	50...60 Hz
Inrush current	135 A (230 V AC); 70 A (400 V AC)
Short-circuit current	285 A (230 V AC); 169 A (400 V AC)
Input current	7.3 A (230 V AC); 4.2 A (400 V AC)

### General data

Standards	(EN 61558-1), (EN 61558-2-4), (EN 62041 category 0)
Test isolation voltage	5.8 kV (prim./sec.)
Temperature range	-20...+40 °C, no condensation
Dimensions H × W × D	168×174×163 mm
Fixing centers a × b × c	141.5×135×7 mm
Drill hole Ø	7×11 mm
Mounting method	Key-hole mounting

### Output

Output voltage	1 × 230, 1 × 115, 2 × 115 V AC
----------------	--------------------------------

### Commercial data

country of origin	CZ
customs tariff number	85043200
minimum order quantity	1