

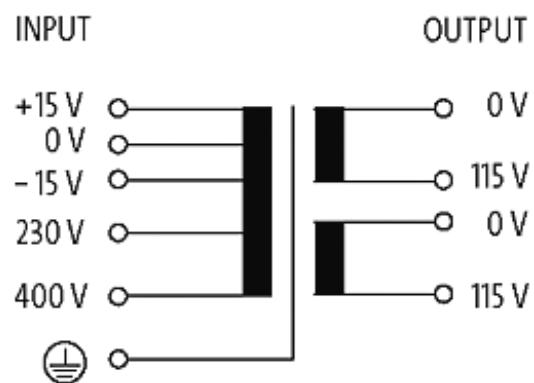
MST 1-PHASE CONTROL AND ISOLATION TRANSFORMER

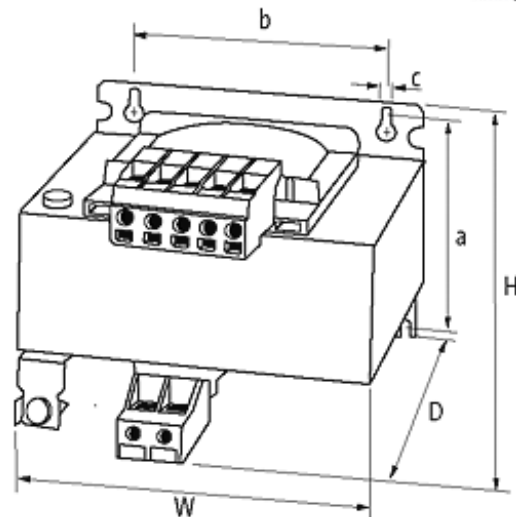
P: 2500VA IN: 230/400VAC +/- 15VAC OUT: 2x115VAC

Single-phase - Control and Isolation Transformers
2500 VA
Isolation class T 40/B

[Link to Product](#)

Illustration





Product may differ from Image

Approvals



Input

Input voltage	230/400 ±15 V AC
Frequency	50...60 Hz
Inrush current	234 A (230 V AC); 107 A (400 V AC)
Short-circuit current	532 A (230 V AC); 302 A (400 V AC)
Input current	11.4 A (230 V AC); 6.6 A (400 V AC)

General data

Standards	(EN 61558-1), (EN 61558-2-4), (EN 62041 category 0)
Test isolation voltage	5.8 kV (prim./sec.)
Temperature range	-20...+40 °C, no condensation
Mounting method	Long-hole mounting
Dimensions H × W × D	182×192×196 mm
Fixing centers a × b × c	150×150×10 mm
Drill hole Ø	10×18 mm

Output

Output voltage	1 × 230, 1 × 115, 2 × 115 V AC
----------------	--------------------------------

Commercial data

country of origin	CZ
customs tariff number	85043200
minimum order quantity	1