



CURRENT MEASURING MODULE; SET CURRENT 0,3...3A; OVERALL WIDTH 45MM; STRAIGHT-THROUGH CT

| | |
|---------------------|--------------------------|
| product brand name | SIRIUS |
| Product designation | current measuring module |

General technical data:

| | | |
|---------------------------------------------|---|--------------------------------|
| Insulation voltage | | |
| • Rated value | V | 690 |
| Vibration resistance | | 1-6 Hz / 15 mm; 6-500 Hz / 2 g |
| Surge voltage resistance Rated value | V | 6 000 |
| Protection class IP | | IP20 |
| Equipment marking | | |
| • acc. to DIN EN 61346-2 | | F |
| • acc. to DIN EN 81346-2 | | F |

Electromagnetic compatibility:

| | | |
|--------------------------------------------------------------------------------------|--|-------------------------------------|
| EMC emitted interference | | |
| • acc. to IEC 60947-1 | | class A |
| EMI immunity acc. to IEC 60947-1 | | corresponds to degree of severity 3 |
| Conducted interference due to burst acc. to IEC 61000-4-4 | | 2 kV |
| Conducted interference due to conductor-earth surge acc. to IEC 61000-4-5 | | 2 kV |
| Conducted interference due to conductor-conductor surge acc. to IEC 61000-4-5 | | 1 kV |
| Field-bound parasitic coupling acc. to IEC 61000-4-3 | | 10 V/m |

Inputs/ Outputs:

| | | |
|----------------------------------------------------------------|--|---|
| Number of outputs as contact-affected switching element | | 0 |
|----------------------------------------------------------------|--|---|

| Communication/ Protocol: | | |
|----------------------------------------------------------------------------------------------------------|----|-------------------------------|
| Product function Bus communication | | No |
| Installation/ mounting/ dimensions: | | |
| mounting position | | any |
| Mounting type | | screw and snap-on mounting |
| Height | mm | 84 |
| Width | mm | 45 |
| Depth | mm | 45 |
| Connections/ Terminals: | | |
| Type of electrical connection | | straight-through transformers |
| <ul style="list-style-type: none"> • for main current circuit | | |
| Product function | | No |
| <ul style="list-style-type: none"> • removable terminal for auxiliary and control circuit | | |
| Ambient conditions: | | |
| Installation altitude at height above sea level maximum | m | 4 000 |
| Ambient temperature | | |
| <ul style="list-style-type: none"> • during operation | °C | -25 ... +60 |
| <ul style="list-style-type: none"> • during storage | °C | -40 ... +80 |
| <ul style="list-style-type: none"> • during transport | °C | -40 ... +80 |
| Relative humidity during operation | % | 5 ... 95 |
| Safety related data: | | |
| Protection against electrical shock | | finger-safe |
| Main circuit: | | |
| Number of poles for main current circuit | | 3 |
| Adjustable response value current of the current-dependent overload release | A | 0.3 ... 3 |
| Operating voltage | | |
| <ul style="list-style-type: none"> • with AC | | |
| <ul style="list-style-type: none"> — at 50 Hz Rated value | V | 110 ... 690 |
| <ul style="list-style-type: none"> — at 60 Hz Rated value | V | 110 ... 690 |
| Operating frequency Rated value | Hz | 50 ... 60 |
| Control circuit/ Control: | | |
| Type of voltage of the control supply voltage | | AC |
| Certificates/ approvals: | | |

| | | |
|--------------------------|-----|--------------------------------|
| General Product Approval | EMC | For use in hazardous locations |
|--------------------------|-----|--------------------------------|



| | | |
|--------------------------------|-------------------|-------------------|
| For use in hazardous locations | Test Certificates | Shipping Approval |
|--------------------------------|-------------------|-------------------|

[Explosion Protection Certificate](#)

[Special Test Certificate](#)

[Type Test Certificates/Test Report](#)



| |
|-------|
| other |
|-------|

[Declaration of Conformity](#)

[Confirmation](#)

[PROFISafe-Certification](#)



Profibus

[PROFINET-Certification](#)

Further information

Information- and Downloadcenter (Catalogs, Brochures,...)

<http://www.siemens.com/industrial-controls/catalogs>

Industry Mall (Online ordering system)

<http://www.siemens.com/industrymall>

Cax online generator

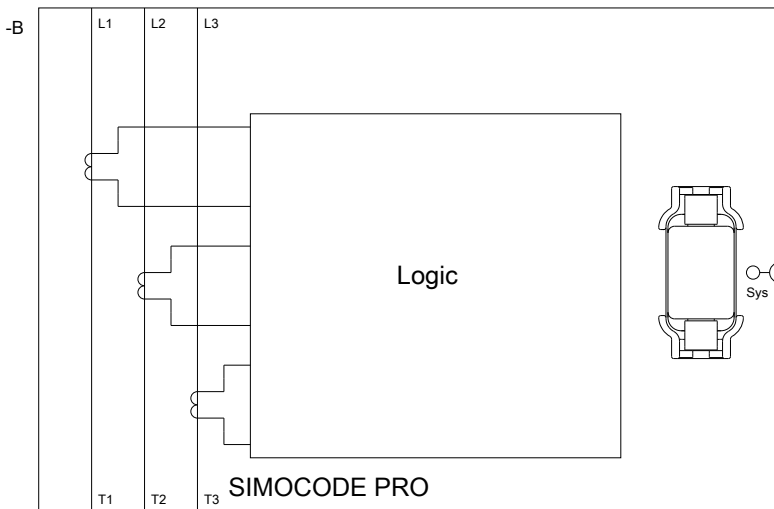
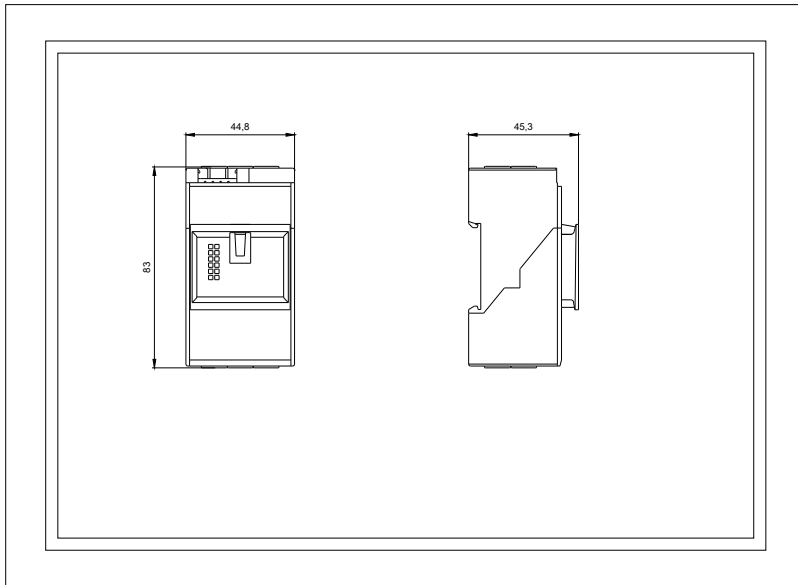
<http://support.automation.siemens.com/WW/CAXorder/default.aspx?lang=en&mfb=3UF71001AA000>

Service&Support (Manuals, Certificates, Characteristics, FAQs,...)

<http://support.automation.siemens.com/WW/view/en/3UF71001AA000/all>

Image database (product images, 2D dimension drawings, 3D models, device circuit diagrams, EPLAN macros, ...)

http://www.automation.siemens.com/bilddb/cax_de.aspx?mfb=3UF71001AA000&lang=en



last modified:

09.03.2015